

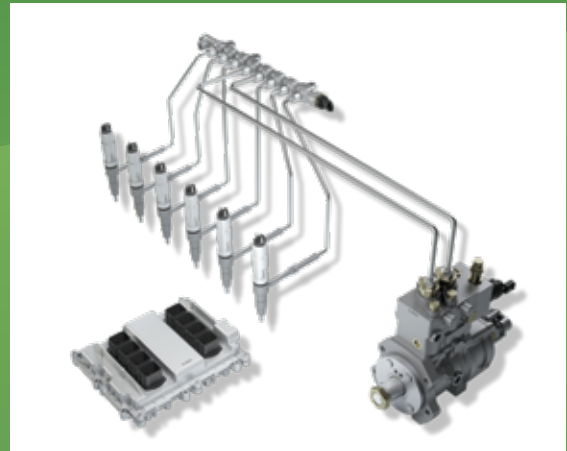


BOSCH

Invented for life

Bosch Common Rail Fuel Injection System

Version 2.0*



Contents

1	Bosch Common Rail System	4
2	Generations of CRS	5
3	Bosch Common Rail Injectors	6
	▶ Common Rail Injectors - Passenger Cars	8
	▶ Common Rail Injectors - Commercial Vehicles	9
	▶ Piezo Injector	10
4	High Pressure Pumps	11
5	Distributor Tube / Rail / Accumulator	16
6	DNox	17
7	Bosch Common Rail Systems Application Chart	18
8	Bosch CR Systems Spare Parts List	
	▶ CR Pumps	67
	▶ CRI Injectors	71
	▶ CRIN Injectors	73
	▶ Rail	74
	▶ CRI Repair Kit	76
	▶ CRIN Repair Kit	76
	▶ CR Shim Kit	77
9	Special Case Explanation	87

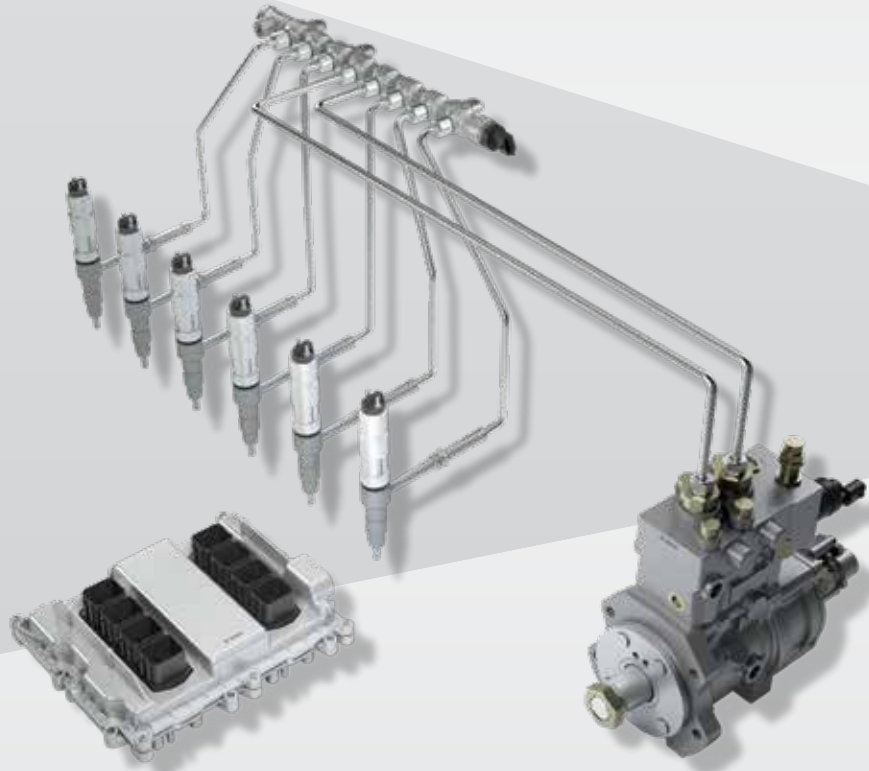
Product	HSN Code	Tax %
CR Pumps	84133010	28
CR Pump Spares	84139190	18
Rail / Distributor Tubes	84099941	28
Rail Spares	84811019	18
CR Injectors	84099930	28
CR Injector Spares	84099990	28

Bosch Common Rail System

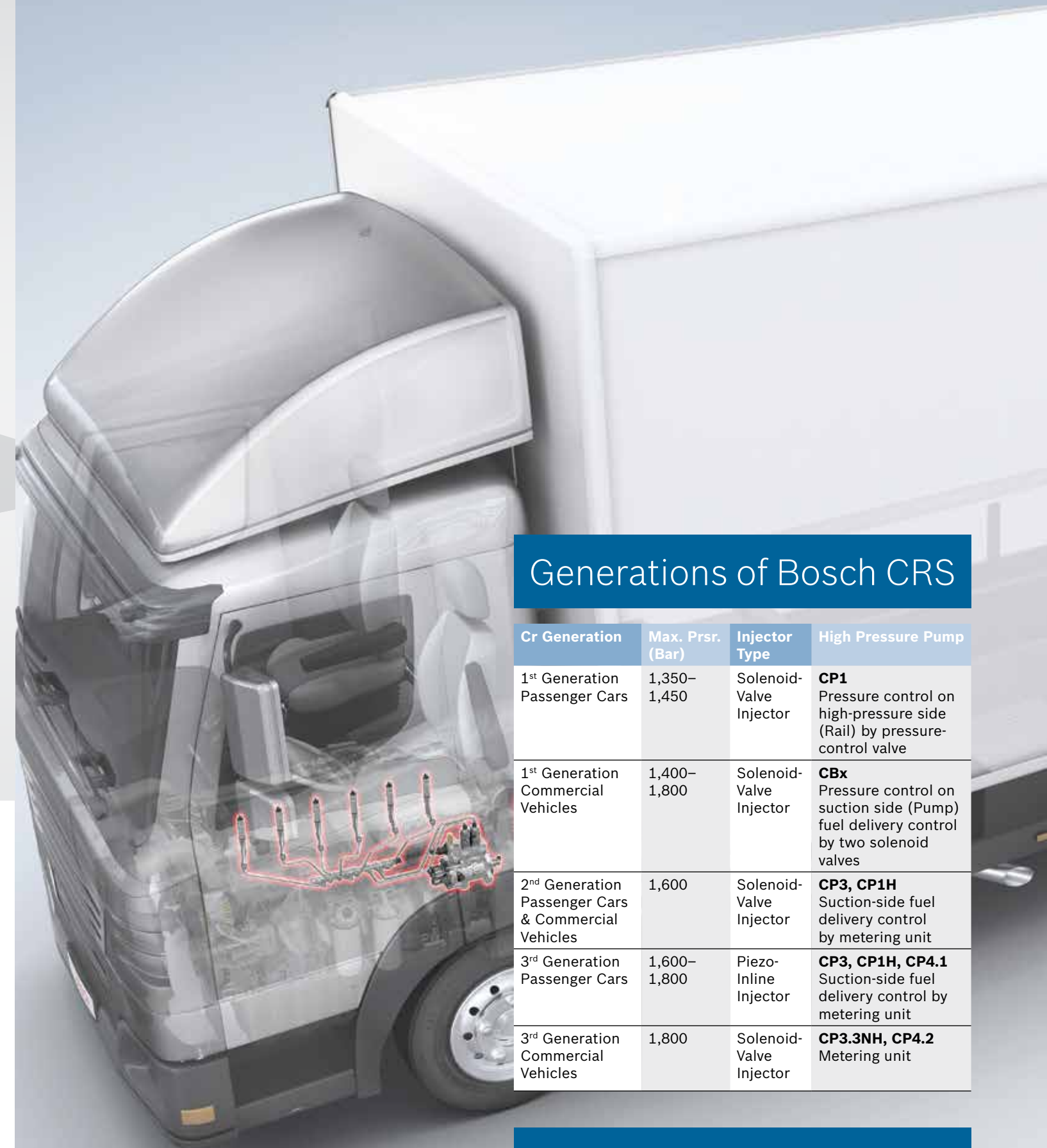
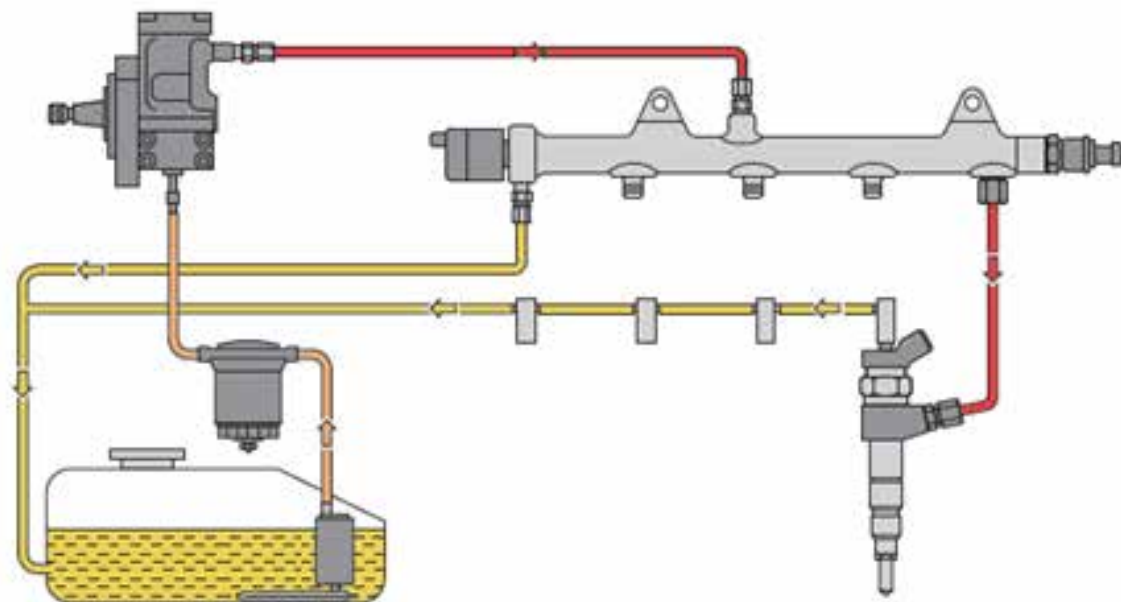
The Bosch fuel injection system delivers the metered quantity at high pressure to mix with compressed air inside the combustion chamber for efficient combustion. The Bosch Common Rail Fuel Injection System (Bosch CRS) is an innovative, efficient, and economical high-pressure injection technology that makes today's vehicles more attractive than ever before.

Bosch CRS features:

- ▶ Reliable technology for high-performance diesel engines
- ▶ Genuine OE components
- ▶ Modular design for ease of servicing



The Bosch Common Rail System consists of a high-pressure pump, rail, and injector.



Generations of Bosch CRS

Cr Generation	Max. Prsr. (Bar)	Injector Type	High Pressure Pump
1 st Generation Passenger Cars	1,350–1,450	Solenoid-Valve Injector	CP1 Pressure control on high-pressure side (Rail) by pressure-control valve
1 st Generation Commercial Vehicles	1,400–1,800	Solenoid-Valve Injector	CBx Pressure control on suction side (Pump) fuel delivery control by two solenoid valves
2 nd Generation Passenger Cars & Commercial Vehicles	1,600	Solenoid-Valve Injector	CP3, CP1H Suction-side fuel delivery control by metering unit
3 rd Generation Passenger Cars	1,600–1,800	Piezo-Inline Injector	CP3, CP1H, CP4.1 Suction-side fuel delivery control by metering unit
3 rd Generation Commercial Vehicles	1,800	Solenoid-Valve Injector	CP3.3NH, CP4.2 Metering unit

You can rely on the world's leading diesel system supplier for passenger cars, off-highway, and commercial vehicles.

When it is time to replace the injector, Bosch is the only choice.

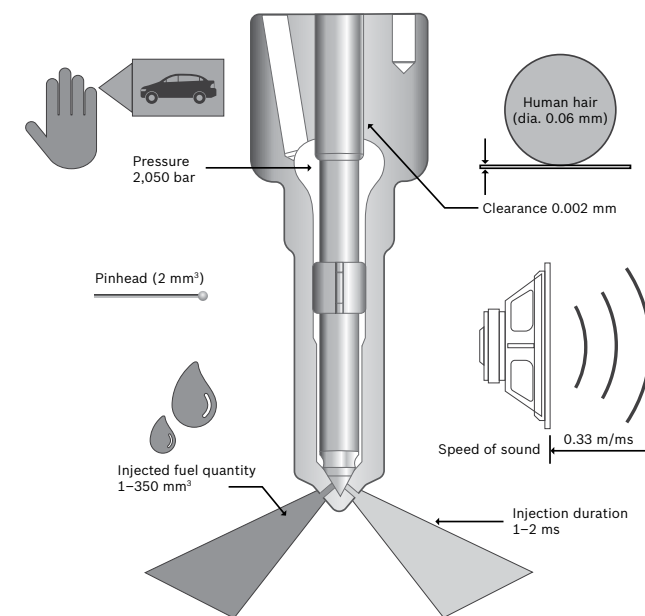


Bosch Common Rail Injectors

The Bosch Common Rail Injector injects the precise amount of fuel into the combustion chamber at the right time and in the right quantity. This can be actuated with a solenoid on the injector, and the duration and timing will be controlled by the ECU (Electronic Control Unit).

Features:

- ▶ Operates up to 2,050 bar pressure of injection which is equal to the weight of a sedan on the nail of a human.
- ▶ Multiple injections of up to 8/stroke
- ▶ Maintains the quality and performance
- ▶ Has undergone hydro-erosion machining process for intricate hole size that is equal to one-third the human hair diameter
- ▶ World's most sophisticated common rail diesel injector design
- ▶ Designed and engineered with every component representing a unique technology



Benefits to the customer:

- ▶ Optimum torque
- ▶ Lower emission and noise levels
- ▶ Lower fuel consumption
- ▶ Superior and comfortable driving experience

Common Rail Injectors for Passenger Cars and their specifications



CRI 1 - 14

Injection pressure	1,400 bar
Type of actuation	Solenoid control
Multiple injections	Yes
Application	PC, LCV



CRI 2 - 16

Injection pressure	1,600 bar
Type of actuation	Solenoid control
Multiple injections	Yes
Application	PC, LCV, & OHW



CRI 3 - 16-18-20

Injection pressure	1,600–2,000 bar
Type of actuation	Piezo control
Multiple injections	Yes
Application	PC, LCV

Common Rail Injectors for Commercial Vehicles and their specifications



CRIN 1-14-16

Injection pressure	1,400–1,600 bar
Type of actuation	Solenoid control
Multiple injections	Yes
Application	LCV, HCV



CRIN 2-16

Injection pressure	1,600 bar
Type of actuation	Solenoid control
Multiple injections	Yes
Application	LCV, HCV



CRIN 3-18

Injection pressure	1,800 bar
Type of actuation	Solenoid control
Multiple injections	Yes
Application	LCV, HCV



Diesel technology trend changer Piezo Injector

The latest technology in Bosch injectors is the Piezo Injector. It is actuated by piezo material which converts electrical energy to mechanical energy.

Benefits:

- ▶ Extremely short injection intervals possible
- ▶ No continuous back leak of fuel, which reduces energy consumption
- ▶ Very high needle opening and closing, leading to improved engine performance
- ▶ Robust design with module concept



High Pressure Pump (Common Rail Pump)

Bosch common rail high-pressure pump continuously generates high-pressure fuel and supplies it to the rail.

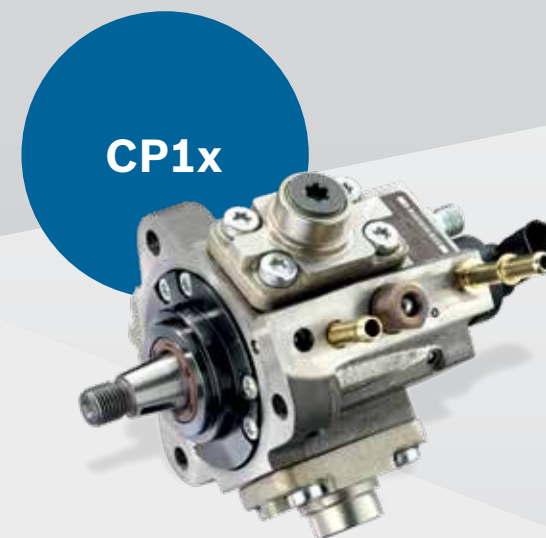
Features:

- ▶ Injection pressures ranging from 1,400 to 2,800 bar can be achieved with different generations of Bosch CRS
- ▶ Bosch has multiple variants of high-pressure pumps for passenger cars, light-duty vehicles, and heavy-duty vehicles separately
- ▶ Robust and compact design

Advantages:

- ▶ Increased service life with Bosch technology reduces the service cost to customer
- ▶ Bosch genuine service parts increase the pump service life and efficiency of the engine

Types of Bosch High Pressure Pumps



CP1x



CP3x



CP4x



CBx

CP1x

(Radial Piston Pumps)

CP1x is the first generation of Bosch common rail pump with 3-plunger radial piston and can generate up to 1,400 bar fuel pressure.



CBx

(Banked Piston Pumps)

CBx pumps are high-pressure, second-generation common rail pumps for on- and off-highway vehicles. Specifically created for emerging markets where stringent future regulation of emissions is expected, and where change from mechanical to electronically controlled injection

systems are required to meet the new emission norms like BS IV and BS VI.

With this technology from Bosch, existing engines which were designed for in-line pumps can be replaced with CBx pumps with minor modification in the engine.



CP1x variants and their specifications:

Technical specifications	CP1K	CP1H	CP1S
Number of cylinders	3	3	3
System pressure (bar)	1,300	1,400	1,400
Pressure controlled by	DRV on rail	Metering unit	Metering unit
Element switch-off valve	No	No	Yes
Drive coupling	Oldham	Gear	Gear
Applications	PC, LCV	PC, LCV	PC, LCV

Benefits:

- ▶ Compact and lightweight system design by Oldham coupling
- ▶ Low fuel consumption with subsequent reduction of CO₂ output
- ▶ Pressure control on the low pressure side reduces the load on the pump and heating of fuel
- ▶ In a downhill condition, the element switch-off valve stops the function of the element partially and load on the pump will reduce, leading to lower fuel consumption

Technical specifications	CB18	CB28
Pump type	2 piston in-line	2 piston in-line
System pressure (bar)	1,800	1,800
Cam lobes	2 or 3	2 or 3
Supply pump	Vane type	Vane type
Lubrication	Oil	Oil
Applications	LCV, HCV	LCV, HCV

Benefits:

- ▶ Easy to integrate into existing engine concepts
- ▶ Integrated mechanical supply pump assures constant fuel availability for delivery
- ▶ In one rotation three injections from the pump are achieved through three cam lobes on the shaft

CP3

Bosch High Pressure Pumps

CP3 is the first high-pressure pump with pressure control on the lower pressure side done by the metering unit. It is a 3-plunger radial piston pump with a monoblock housing.



Technical Specifications	
No. of pump cylinders	3
Pressure (bar)	1,600
Cam lobes	3
Lubrication	Oil
Fuel control	Fuel control by metering unit
Supply pump	Gear pump
Applications	LCV, HCV

Benefits:

- ▶ Compact monoblock design
- ▶ Suction-based fuel delivery control by metering unit, which compresses the fuel as needed
- ▶ This reduces the load on the pump and decreases the fuel heating
- ▶ Pressure control at suction achieves lower fuel consumption and the same technology is used in CP1H pump later

CP4x

Bosch High Pressure Pumps

CP4x pumps can generate pressure in the range of 1,600–2,200 bar to atomize the fuel and combust properly to achieve higher engine performance.



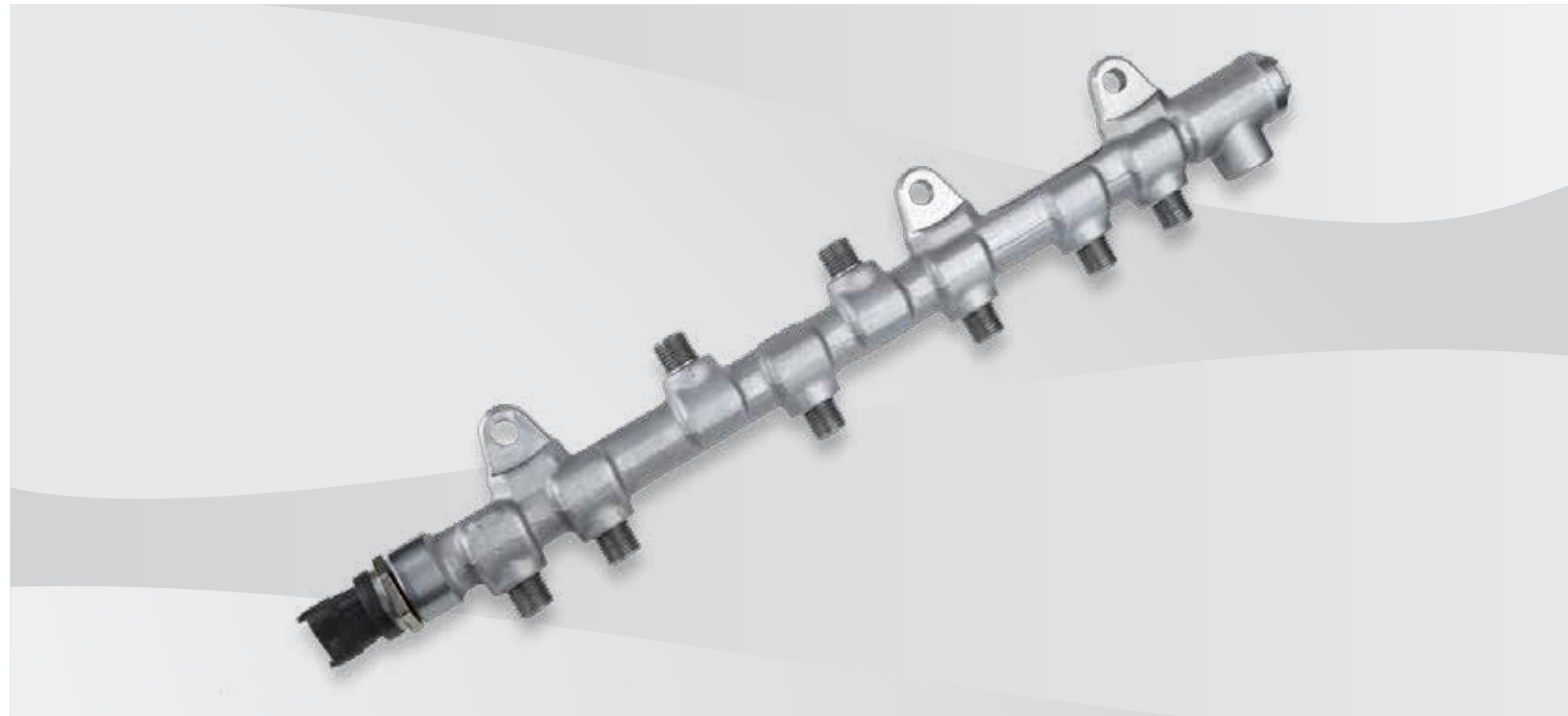
Technical specifications	CP4.1	CP4.2
No. of pump cylinders	1	2
Pressure (bar)	1,600	1,800–2,000
Cam lobes	2	2
Lubrication	Fuel	Fuel
Fuel control	Fuel control by metering unit	Fuel control by metering unit
Supply pump	EKP	Gear pump
Applications	PC, LCV, HCV	PC, LCV, HCV

Benefits:

- ▶ Compact and lightweight
- ▶ It is intended for light-duty vehicles at optimum price
- ▶ It delivers fuel to the rail on a specified crank angle to eliminate the pressure pulsation in the rail while injecting the fuel into combustion chamber
- ▶ In one revolution of the pump shaft, the piston delivers two pumping events

Distributor Tube / Rail / Accumulator

The distributor tube stores and maintains the fuel at a constant pressure irrespective of the engine speed to enable availability of fuel to inject, at all speed ranges.



Features:

- ▶ Made of forged steel to withstand a pressure range of 1,400–2,700 bar
- ▶ It has mountings for the rail pressure sensor (RDS) and pressure relief valve (DBV4) or pressure control valve (DRV1/2/3)
- ▶ It stores the fuel at required pressure at all times, irrespective of engine speed and load

Benefits:

- ▶ Equipped with high quality pressure sensor to monitor and safeguard the vehicle by allowing excess fuel to flow through the pressure control valve (DRV)
- ▶ Robust design



Rail Pressure Sensor (RPS)



Pressure limiting Valve



Pressure Control Valve (DRV)

Denoxtronics(DNox) from BOSCH Group

To meet the world's strictest limits for nitrogen-oxide emissions, efficient exhaust-gas treatment systems are mandatory. Bosch has wide range of products available for PC,LCV,HCV and OHW segments respectively.



Customer benefits:

- ▶ Reduction of nitrogen-oxide emissions
- ▶ Improved fuel efficiency of the diesel engine

Functional principle:

The Supply Module draws the AdBlue/DEF out of the tank with a diaphragm pump and compresses it to the system pressure of 9 bar required for atomization. This pressure is precisely maintained via the speed of the electric drive motor. The Dosing Module doses and atomizes the required quantity of AdBlue/DEF. Control of the dosing and heating strategy, as well as for on-board diagnosis, is carried out by the Dosing Control Unit (DCU) or alternatively a software module in the Engine Control Unit. Depending on several input signals

(e.g. NOx emission, engine load) the dosing strategy calculates the required dosing quantity and converts this into a pulse-width-modulated signal for the Dosing Module. The system has a closed control loop.

AdBlue/DEF freezes at -11°C. Therefore the system is emptied at engine switchoff and heated before restart to protect it from frost damages. Dosing is started only when the system is ice-free.

Bosch Common Rail System Application Chart - Vehicle-Wise

How to use this catalogue

Product	Type	Fitment Date	MRP (₹)						
U 3723	U 3723	06.5.8.165.201201	201903	High-Pressure Pump, CR System	0.445.025.610	CR / CB20 S2 / R 200 / 10-7 / 8 / 9 / 5	201201	201903	2,500.00
U 3723	U 3723	06.5.8.165.201201	201903	Injector, CR System	0.445.120.298	CRN2-16-6L	201201	201903	4,500.00
U 3723	U 3723	06.5.8.165.201201	201903	Fuel rail, CR System	0.445.226.060	CR / V6 / 10-235	201201	201903	7,087.00
3123	3123	06.5.8.165.201008	201903	High-Pressure Pump, CR System	0.445.025.610	CR / CB20 S2 / R 200 / 10-7 / 8 / 9 / 5	201008	201903	2,500.00
3123	3123	06.5.8.165.201008	201903	Injector, CR System	0.445.120.298	CRN2-16-6L	201008	201903	4,500.00
3123	3123	06.5.8.165.201008	201903	Fuel rail, CR System	0.445.226.060	CR / V6 / 10-235	201008	201903	7,087.00
4023	4023	06.5.8.171.201103	201903	High-Pressure Pump, CR System	0.445.020.091	CR / CPN252 / R600 / 10-689135	201103	201903	30,861.00
4023	4023	06.5.8.171.201103	201903	Injector, CR System	0.445.120.101	CRN2-16	201103	201903	2,484.00
4023	4023	06.5.8.171.201103	201903	Fuel rail, CR System	0.445.226.060	CR / V6 / 10-235	201103	201903	7,087.00
4026	4026	06.8.0.191.200601	200704	High-Pressure Pump, CR System	0.445.020.141	CR / CPN163 / L110 / 10-7895	200601	200704	1,817.00
4026	4026	06.8.0.191.200601	200704	Injector, CR System	0.445.120.233	CRN2-18	200601	200704	6,211.00
4026	4026	06.8.0.191.200601	200704	Fuel rail, CR System	0.445.226.060	WFR, CR / V6 / 10-235	200601	200704	7,796.00
4923	4923	06.5.8.165.201103	201903	High-Pressure Pump, CR System	0.445.020.091	CR / CPN252 / R600 / 10-689135	201103	201903	30,861.00
4923	4923	06.5.8.165.201103	201903	Injector, CR System	0.445.120.101	CRN2-16	201103	201903	2,484.00
4923	4923	06.5.8.165.201103	201903	Fuel rail, CR System	0.445.226.060	CR / V6 / 10-235	201103	201903	7,087.00
Dost 1.5D	Dost (86 N)	03.1.5.40.201108	201903	Injector, CR System	0.445.110.790	CRN2-14	201108	201903	-
Dost 1.5D	Dost (86 N)	03.1.5.40.201108	201903	Fuel rail, CR System	0.445.213.030	WFR, CR / V3 / 10-25	201108	201903	6,790.00
Dost 1.5D	Dost (86 N)	03.1.5.40.201108	201903	Injection Pump PE Diesel	F 002 F00 610	PFM 1C 70 S 2506	201108	201903	-
FE SLF	FE SLF	06.5.7.123.201401	201903	High-Pressure Pump, CR System	0.445.025.610	CR / CB20 S2 / R 200 / 10-7 / 8 / 9 / 5	201401	201903	2,500.00
FE SLF	FE SLF	06.5.7.123.201401	201903	Injector, CR System	0.445.120.398	CRN2-16-6L	201401	201903	4,500.00
FE SLF	FE SLF	06.5.7.123.201401	201903	Fuel rail, CR System	0.445.226.060	CR / V6 / 10-235	201401	201903	7,087.00
Luxura	Luxura	06.5.8.165.201401	201903	High-Pressure Pump, CR System	0.445.020.091	CR / CPN252 / R600 / 10-689135	201401	201903	30,861.00
Luxura	Luxura	06.5.8.165.201401	201903	Injector, CR System	0.445.120.101	CRN2-16	201401	201903	2,484.00
Luxura	Luxura	06.5.8.165.201401	201903	Fuel rail, CR System	0.445.226.060	CR / V6 / 10-235	201401	201903	7,087.00
ULE Diesel BS 4	ULE Diesel BS4	06.5.8.165.201401	201903	High-Pressure Pump, CR System	0.445.025.610	CR / CB20 S2 / R 200 / 10-7 / 8 / 9 / 5	201401	201903	2,500.00
ULE Diesel BS 4	ULE Diesel BS4	06.5.8.165.201401	201903	Injector, CR System	0.445.120.398	CRN2-16-6L	201401	201903	4,500.00
ULE Diesel BS 4	ULE Diesel BS4	06.5.8.165.201401	201903	Fuel rail, CR System	0.445.226.060	CR / V6 / 10-235	201401	201903	7,087.00
Boss 913 LX	Boss 913 LX	04.3.8.96.201401	201903	High-Pressure Pump, CR System	0.445.025.043	CR / CB18 S / R 100 / 10-7V	201401	201903	2,000.00
Boss 913 LX	Boss 913 LX	04.3.8.96.201401	201903	Injector, CR System	0.445.110.709	CRN2-16 08W	201401	201903	1,653.00
Boss 913 LX	Boss 913 LX	04.3.8.96.201401	201903	Fuel rail, CR System	0.445.224.007	WFR, CR / V4 / 10-235	201401	201903	6,790.00
2523	2523	06.5.8.173.201401	201903	High-Pressure Pump, CR System	0.445.025.610	CR / CB20 S2 / R 200 / 10-7 / 8 / 9 / 5	201401	201903	2,500.00
2523	2523	06.5.8.173.201401	201903	Injector, CR System	0.445.120.233	CRN2-18	201401	201903	6,211.00
2523	2523	06.5.8.173.201401	201903	Fuel rail, CR System	0.445.226.060	CR / V6 / 10-235	201401	201903	7,087.00
Boss 1113 LX	Boss 1113 LX	04.3.8.96.201401	201903	High-Pressure Pump, CR System	0.445.025.043	CR / CB18 S / R 100 / 10-7V	201401	201903	2,000.00
Boss 1113 LX	Boss 1113 LX	04.3.8.96.201401	201903	Injector, CR System	0.445.110.709	CRN2-16 08W	201401	201903	1,653.00
Boss 1113 LX	Boss 1113 LX	04.3.8.96.201401	201903	Fuel rail, CR System	0.445.224.007	WFR, CR / V4 / 10-235	201401	201903	6,790.00
AB 3.0 TDI quattro	AB (4E, D3)	06.3.0.206.200401	201007	High-Pressure Pump, CR System	0.445.010.331	CR / CP1H3 / R85 / 10-7895	200510	201007	3,899.00
AB 3.0 TDI quattro	AB (4E, D3)	06.3.0.206.200401	201007	High-Pressure Pump, CR System	0.445.010.343	CR / CP252 / R90 / 10-7895	200401	200509	1,340.00
AB 3.0 TDI quattro	AB (4E, D3)	06.3.0.206.200401	201007	Injector, CR System	0.445.110.078	CRN2-16	200401	201007	-
AB 3.0 TDI quattro	AB (4E, D3)	06.3.0.206.200401	201007	Fuel rail, CR System	0.445.216.025	CR / V56 / 10-125	200401	200509	LAB
AB 3.0 TDI quattro	AB (4E, D3)	06.3.0.206.200401	201007	Fuel rail, CR System	F 008 002 390	CR / V56 / 10-125	200401	200509	RAB
AG 3.0 TDI quattro	AG (4F2, C6)	06.3.0.165.200404	200405	High-Pressure Pump, CR System	0.445.010.331	CR / CP1H3 / R85 / 10-7895	200401	200405	3,899.00
AG 3.0 TDI quattro	AG (4F2, C6)	06.3.0.165.200404	200405	High-Pressure Pump, CR System	0.445.010.343	CR / CP252 / R90 / 10-7895	200404	200512	1,340.00
AG 3.0 TDI quattro	AG (4F2, C6)	06.3.0.165.200404	200405	Injector, CR System	0.445.110.078	CRN2-16	200404	200405	-
AG 3.0 TDI quattro	AG (4F2, C6)	06.3.0.165.200404	200405	Fuel rail, CR System	0.445.010.343	CR / CP252 / R90 / 10-7895	200404	200512	-
AG 3.0 TDI quattro	AG (4F2, C6)	06.3.0.165.200404	200405	Fuel rail, CR System	0.445.216.025	CR / V56 / 10-125	200404	200512	LAB
AG 3.0 TDI quattro	AG (4F2, C6)	06.3.0.165.200404	200405	Fuel rail, CR System	F 008 002 390	CR / V56 / 10-125	200404	200512	RAB
Q7 3.0 TDI	Q7 (4LB)	06.3.0.171.200908	200905	High-Pressure Pump, CR System	0.445.010.331	CR / CP1H3 / R85 / 10-7895	200908	200905	3,899.00
Q7 3.0 TDI	Q7 (4LB)	06.3.0.171.200908	200905	Injector, CR System	0.445.110.078	CRN2-16	200908	200905	-
Q7 3.0 TDI	Q7 (4LB)	06.3.0.171.200908	200905	Fuel rail, CR System	0.445.010.331	CR / CP1H3 / R85 / 10-7895	200908	200905	3,899.00
AG Allroad 2.7 TDI	AG (4FH, C6) Allroad	06.2.7.132.200905	200910	High-Pressure Pump, CR System	0.445.010.331	CR / CP1H3 / R85 / 10-7895	200905	200910	3,899.00

Bosch Common Rail Application Chart Vehicle-Wise

- OEM
- Vehicle model
- Engine type
- Number of cylinders
- Cylinder volume
- Power (kW)
- Vehicle – start of production
- Vehicle – end of production
- Product description
- Bosch part number
- Type formula
- Start of product fitment date
- End of product fitment date
- Special case
- MRP

This publication contains data from vehicles, engines, and equipment for the Indian market from the year of manufacture, 1990, up to and including the year 2017. This data has been compiled from information provided by manufacturers and importers and taken from Bosch documentation, as well as from investigations made on vehicles.

It reflects the status as on July 2017. Whilst every care has been taken in the preparation of this publication, it is not possible for Bosch to guarantee its sources or to avoid discrepancies arising from technical changes to vehicles, engines, and equipment due to the conditions and regulations applying in India. Bosch does not therefore assure the accuracy or completeness of the information contained herein. Further, Bosch reserves the right to alter specifications and its product range without notice.






To the extent permitted by law, Bosch excludes all liability including negligence or any loss incurred through reliance on the contents of this publication. Users of this catalogue should note that from time to time, Bosch may, in its discretion, issue bulletins with updates to the information contained in this catalogue.



							Product		Type				MRP (₹)
Ashok Leyland													
U 3723	U 3723	06	5.8	165	201201	201903	High-Pressure Pump, CR System	0 445 025 610	CR / CB28 S2 / R 200 / 10-7 / 8 / 9 / S	201201	201903	-	44,338.00
U 3723	U 3723	06	5.8	165	201201	201903	Injector, CR System	0 445 120 398	CRIN2-16-BL	201201	201903	DBJ	24,834.00
U 3723	U 3723	06	5.8	165	201201	201903	Fuel Rail, CR System	0 445 226 060	CR / V6 / 10-23S	201201	201903	-	19,809.00
3123	3123	06	5.8	165	201008	201903	High-Pressure Pump, CR System	0 445 025 610	CR / CB28 S2 / R 200 / 10-7 / 8 / 9 / S	201008	201903	-	44,338.00
3123	3123	06	5.8	165	201008	201903	Injector, CR System	0 445 120 398	CRIN2-16-BL	201008	201903	DBJ	24,834.00
3123	3123	06	5.8	165	201008	201903	Fuel Rail, CR System	0 445 226 060	CR / V6 / 10-23S	201008	201903	-	19,809.00
4023	4023	06	5.8	171	201103	201903	High-Pressure Pump, CR System	0 445 020 091	CR / CPN2S2 / R600 / 10-58913S	201103	201903	-	1,14,215.00
4023	4023	06	5.8	171	201103	201903	Injector, CR System	0 445 120 101	CRIN2-16	201103	201903	DBJ	19,845.00
4023	4023	06	5.8	171	201103	201903	Fuel Rail, CR System	0 445 226 060	CR / V6 / 10-23S	201103	201903	-	19,809.00
4026	4026	08	8.0	191	200601	200704	High-Pressure Pump, CR System	0 445 020 141	CR / CP3HS3 / L110 / 30-789S	200601	200704	-	66,110.00
4026	4026	08	8.0	191	200601	200704	Injector, CR System	0 445 120 233	CRIN3-18	200601	200704	DBJ	16,310.00
4026	4026	08	8.0	191	200601	200704	Fuel Rail, CR System	0 445 226 099	HFR;CR / V6 / 10-23S	200601	200704	-	57,544.00
4923	4923	06	5.8	165	201103	201903	High-Pressure Pump, CR System	0 445 020 091	CR / CPN2S2 / R600 / 10-58913S	201103	201903	-	1,14,215.00
4923	4923	06	5.8	165	201103	201903	Injector, CR System	0 445 120 101	CRIN2-16	201103	201903	DBJ	19,845.00
4923	4923	06	5.8	165	201103	201903	Fuel Rail, CR System	0 445 226 060	CR / V6 / 10-23S	201103	201903	-	19,809.00
Dost 1.5D	Dost [BS IV]	03	1.5	40	201109	201903	Injector, CR System	0 445 110 790	CRI1-14	201109	201903	DBJ	9,399.00
Dost 1.5D	Dost [BS IV]	03	1.5	40	201109	201903	Fuel Rail, CR System	0 445 213 030	HFR; CR / V3 / 10-2S	201109	201903	-	9,684.00
Dost 1.5D	Dost [BS IV]	03	1.5	40	201109	201903	Injection Pump PF, Diesel	F 002 FC0 010	PFM 1C 70 S 2509	201109	201903	-	11,368.00
FE SLF	FE SLF	06	5.7	123	201401	201903	High-Pressure Pump, CR System	0 445 025 610	CR / CB28 S2 / R 200 / 10-7 / 8 / 9 / S	201401	201903	-	44,338.00
FE SLF	FE SLF	06	5.7	123	201401	201903	Injector, CR System	0 445 120 398	CRIN2-16-BL	201401	201903	DBJ	24,834.00
FE SLF	FE SLF	06	5.7	123	201401	201903	Fuel Rail, CR System	0 445 226 060	CR / V6 / 10-23S	201401	201903	-	19,809.00
Luxura	Luxura	06	5.8	165	201401	201903	High-Pressure Pump, CR System	0 445 020 091	CR / CPN2S2 / R600 / 10-58913S	201401	201903	-	1,14,215.00
Luxura	Luxura	06	5.8	165	201401	201903	Injector, CR System	0 445 120 101	CRIN2-16	201401	201903	DBJ	19,845.00
Luxura	Luxura	06	5.8	165	201401	201903	Fuel Rail, CR System	0 445 226 060	CR / V6 / 10-23S	201401	201903	-	19,809.00
ULE Diesel BS 4	ULE Diesel BS4	06	5.8	165	201401	201903	High-Pressure Pump, CR System	0 445 025 610	CR / CB28 S2 / R 200 / 10-7 / 8 / 9 / S	201401	201903	-	44,338.00
ULE Diesel BS 4	ULE Diesel BS4	06	5.8	165	201401	201903	Injector, CR System	0 445 120 398	CRIN2-16-BL	201401	201903	DBJ	24,834.00
ULE Diesel BS 4	ULE Diesel BS4	06	5.8	165	201401	201903	Fuel Rail, CR System	0 445 226 060	CR / V6 / 10-23S	201401	201903	-	19,809.00
Boss 913 LX	Boss 913 LX	04	3.8	96	201401	201903	High-Pressure Pump, CR System	0 445 025 043	CR / CB18 S / R 100 / 20-7V	201401	201903	-	28,121.00
Boss 913 LX	Boss 913 LX	04	3.8	96	201401	201903	Injector, CR System	0 445 110 709	CRI2-16 OHW	201401	201903	DBJ	9,559.00
Boss 913 LX	Boss 913 LX	04	3.8	96	201401	201903	Fuel Rail, CR System	0 445 224 097	HFR; CR / V4 / 10-23S	201401	201903	-	22,001.00
2523	2523	06	5.8	173	201401	201903	High-Pressure Pump, CR System	0 445 025 610	CR / CB28 S2 / R 200 / 10-7 / 8 / 9 / S	201401	201903	-	44,338.00
2523	2523	06	5.8	173	201401	201903	Injector, CR System	0 445 120 233	CRIN3-18	201401	201903	DBJ	16,310.00
2523	2523	06	5.8	173	201401	201903	Fuel Rail, CR System	0 445 226 060	CR / V6 / 10-23S	201401	201903	-	19,809.00
Boss 1113 LX	Boss 1113 LX	04	3.8	96	201401	201903	High-Pressure Pump, CR System	0 445 025 043	CR / CB18 S / R 100 / 20-7V	201401	201903	-	28,121.00
Boss 1113 LX	Boss 1113 LX	04	3.8	96	201401	201903	Injector, CR System	0 445 110 709	CRI2-16 OHW	201401	201903	DBJ	9,559.00
Boss 1113 LX	Boss 1113 LX	04	3.8	96	201401	201903	Fuel Rail, CR System	0 445 224 097	HFR; CR / V4 / 10-23S	201401	201903	-	22,001.00
Audi													
A8 3.0 TDI quattro	A8 [4E, D3]	06	3.0	206	200401	201007	High-Pressure Pump, CR System	0 445 010 331	CR / CP1H3 / R85 / 10-789S	200510	201007	-	67,140.00
A8 3.0 TDI quattro	A8 [4E, D3]	06	3.0	206	200401	201007	High-Pressure Pump, CR System	0 445 010 343	CR / CP3S3 / R90 / 20-789S	200401	200509	-	75,532.00
A8 3.0 TDI quattro	A8 [4E, D3]	06	3.0	206	200401	201007	Injector, CR System	0 445 115 078	CRI3-16	200401	201007	DBJ	23,275.00
A8 3.0 TDI quattro	A8 [4E, D3]	06	3.0	206	200401	201007	Fuel Rail, CR System	0 445 216 025	CR / VS6 / 10-12S	200401	200509	LAB	-
A8 3.0 TDI quattro	A8 [4E, D3]	06	3.0	206	200401	201007	Fuel Rail, CR System	F 00R 002 390	CR / VS6 / 10-12S	200401	200509	RAB	-
A6 3.0 TDI quattro	A6 [4F2, C6]	06	3.0	165	200404	200605	High-Pressure Pump, CR System	0 445 010 331	CR / CP1H3 / R85 / 10-789S	200601	200605	-	67,140.00
A6 3.0 TDI quattro	A6 [4F2, C6]	06	3.0	165	200404	200605	High-Pressure Pump, CR System	0 445 010 343	CR / CP3S3 / R90 / 20-789S	200404	200512	-	75,532.00
A6 3.0 TDI quattro	A6 [4F2, C6]	06	3.0	165	200404	200605	Injector, CR System	0 445 115 078	CRI3-16	200404	200605	DBJ	23,275.00
A6 3.0 TDI quattro	A6 [4F2, C6]	06	3.0	165	200404	200605	Fuel Rail, CR System	0 445 216 025	CR / VS6 / 10-12S	200404	200512	LAB	-
A6 3.0 TDI quattro	A6 [4F2, C6]	06	3.0	165	200404	200605	Fuel Rail, CR System	F 00R 002 390	CR / VS6 / 10-12S	200404	200512	RAB	-
Q7 3.0 TDI	Q7 [4LB]	06	3.0	171	200608	200805	High-Pressure Pump, CR System	0 445 010 331	CR / CP1H3 / R85 / 10-789S	200608	200805	-	67,140.00
Q7 3.0 TDI	Q7 [4LB]	06	3.0	171	200608	200805	Injector, CR System	0 445 115 078	CRI3-16	200608	200805	DBJ	23,275.00
A6 Allroad 2.7 TDI	A6 [4FH, C6] Allroad	06	2.7	132	200605	200810	High-Pressure Pump, CR System	0 445 010 331	CR / CP1H3 / R85 / 10-789S	200605	200810	-	67,140.00



							Product		Type				MRP (₹)
Audi													
A6 Allroad 2.7 TDI	A6 [4FH, C6] Allroad	06	2.7	132	200605	200810	Injector, CR System	0 445 115 080	CRI3-16	200605	200810	DBJ	27,113.00
A4 2.0 TDI	A4 [8K2, B8]	04	2.0	105	200711	201203	High-Pressure Pump, CR System	0 445 010 543	CR / CP4S1 / R35 / 20S	200711	201203	-	67,053.00
A4 2.0 TDI	A4 [8K2, B8]	04	2.0	105	200711	201203	Injector, CR System	0 445 116 029	CRI3-18	200711	201203	DBJ	25,662.00
A6 2.0 TDI	A6 [4F2, C6]	04	2.0	165	200810	201108	High-Pressure Pump, CR System	0 445 010 543	CR / CP4S1 / R35 / 20S	200810	201108	-	67,053.00
A6 2.0 TDI	A6 [4F2, C6]	04	2.0	165	200810	201108	Injector, CR System	0 445 116 029	CRI3-18	200810	201108	DBJ	25,662.00
A6 3.0 TDI quattro	A6 [4F2, C6]	06	3.0	165	200810	201108	High-Pressure Pump, CR System	0 445 010 685	CR / CP4S2 / R65 / 40	200810	201108	-	73,675.00
A6 3.0 TDI quattro	A6 [4F2, C6]	06	3.0	165	200810	201108	Injector, CR System	0 445 116 022	CRI3-18	200810	201108	DBJ	28,016.00
A6 3.0 TDI quattro	A6 [4F2, C6]	06	3.0	165	200810	201108	High-Pressure Pump, CR System	0 445 010 685	CR / CP4S2 / R65 / 40	200810	201108	-	73,675.00
A6 3.0 TDI quattro	A6 [4F2, C6]	06	3.0	165	200810	201108	Injector, CR System	0 445 116 022	CRI3-18	200810	201108	DBJ	28,016.00
Q7 4.2 TDI	Q7 [4LB]	08	4.2	171	200906	201005	High-Pressure Pump, CR System	0 445 010 664	CR / CP4HS2 / L75 / 40	200906	201005	-	-
Q7 4.2 TDI	Q7 [4LB]	08	4.2	171	200906	201005	Injector, CR System	0 445 117 019	CRI3-20	200906	201005	DBJ	27,113.00
A3 2.0 TDI Sportback	A3 [8PA] Sportback	04	2.0	77	200909	201308	High-Pressure Pump, CR System	0 445 010 543	CR / CP4S1 / R35 / 20S	200909	201308	-	67,053.00
A3 2.0 TDI Sportback	A3 [8PA] Sportback	04	2.0	77	200909	201308	Injector, CR System	0 445 116 010	CRI3-18	200909	201308	DBJ	-
A8 4.2 TDI quattro	A8 [4H, D4]	08	4.2	258	200911	201404	High-Pressure Pump, CR System	0 445 010 801	CR / CP4HS2 / L75 / 40S	200911	201404	-	-
A8 4.2 TDI quattro	A8 [4H, D4]	08	4.2	258	200911	201404	Injector, CR System	0 445 117 019	CRI3-20	200911	201404	DBJ	27,113.00
A8 3.0 TDI quattro	A8 [4H, D4]	06	3.0	258	201007	201404	High-Pressure Pump, CR System	0 445 010 682	CR / CP4S2 / R75 / 40	201007	201404	-	80,434.00
A8 3.0 TDI quattro	A8 [4H, D4]	06	3.0	258	201007	201404	Injector, CR System	0 445 116 039	CRI3-20	201007	201404	DBJ	28,920.00
A7 3.0 TDI Sportback quattro	A7 [4G, C7] Sportback	06	3.0	180	201007	201205	High-Pressure Pump, CR System	0 445 010 676	CR / CP4HS2 / R75 / 40	201007	201205	-	-
A7 3.0 TDI Sportback quattro	A7 [4G, C7] Sportback	06	3.0	180	201007	201205	Injector, CR System	0 445 116 039	CRI3-20	201007	201205	DBJ	28,920.00
Q3 2.0 TDI quattro	Q3 [8U]	04	2.0	130	201106	201504	High-Pressure Pump, CR System	0 445 010 568	CR / CP4S1 / R40 / 20S	201106	201504	-	53,648.00
Q3 2.0 TDI quattro	Q3 [8U]	04	2.0	130	201106	201504	Injector, CR System	0 445 110 646	CRI2-18	201106	201504	DBJ	23,106.00
Q3 2.0 TDI	Q3 [8U]	04	2.0	130	201109	201504	High-Pressure Pump, CR System	0 445 010 568	CR / CP4S1 / R40 / 20S	201109	201504	-	53,648.00
Q3 2.0 TDI	Q3 [8U]	04	2.0	130	201109	201504	Injector, CR System	0 445 110 646	CRI2-18	201109	201504	DBJ	23,106.00
A4 2.0 TDI	A4 [8K2, B8]	04	2.0	105	201111	201512	High-Pressure Pump, CR System	0 445 010 568	CR / CP4S1 / R40 / 20S	201111	201512	-	53,648.00
A4 2.0 TDI	A4 [8K2, B8]	04	2.0	105	201111	201512	Injector, CR System	0 445 110 646	CRI2-18	201111	201512	DBJ	23,106.00
Q5 3.0 TDI quattro	Q5 [8RB]	06	3.0	180	201206	201705	DNOX Dosing Module	0 444 021 021	DNXP / DM / 12 / S	201206	201303	-	-
Q5 3.0 TDI quattro	Q5 [8RB]	06	3.0	180	201206	201705	DNOX Dosing Module	0 444 021 034	DM3.2 Audi	201304	201705	-	-
Q5 3.0 TDI quattro	Q5 [8RB]	06	3.0	180	201206	201705	High-Pressure Pump, CR System	0 445 010 682	CR / CP4S2 / R75 / 40	201206	201705	-	80,434.00
Q5 3.0 TDI quattro	Q5 [8RB]	06	3.0	180	201206	201705	Injector, CR System	0 445 116 039	CRI3-20	201206	201705	DBJ	28,920.00
A3 2.0 TDI Limousine	A3 [8V] Limousine	04	2.0	105	201310	201903	DNOX Dosing Module	0 444 025 042	DNOX DM3 PC	201507	201903	-	-
A3 2.0 TDI Limousine	A3 [8V] Limousine	04	2.0	105	201310	201903	DNOX Dosing Module	0 444 025 046	DNOX DM3 PC	201310	201506	-	-
A3 2.0 TDI Limousine	A3 [8V] Limousine	04	2.0	105	201310	201903	High-Pressure Pump, CR System	0 445 010 583	CR / CP4HS1 / R35 / 10-S	201310	201903	-	71,396.00
A3 2.0 TDI Limousine	A3 [8V] Limousine	04	2.0	105	201310	201903	Injector, CR System	0 445 110 474	CRI2-18	201310	201903	DBJ	23,179.00
A3 2.0 TDI Limousine	A3 [8V] Limousine	04	2.0	105	201310	201903	DNOX Supply Module	F 01C 600 266	DNOX5 Pump EN / Pump Kit	201310	201903	-	-
A5 2.0 TDI Cabriolet quattro	A5 [8F7] Cabriolet	04	2.0	110	201309	201701	DNOX Dosing Module	0 444 025 023	DNOX5 / DM / 12 / 3 / 2 / W / S	201309	201701	-	-
A5 2.0 TDI Cabriolet quattro	A5 [8F7] Cabriolet	04	2.0	110	201309	201701	High-Pressure Pump, CR System	0 445 010 570	CR / CP4HS1 / R35 / 10-S	201309	201701	-	-
A5 2.0 TDI Cabriolet quattro	A5 [8F7] Cabriolet	04	2.0	110	201309	201701	Injector, CR System	0 445 110 470	CRI2-20	201309	201701	DBJ	24,006.00
Q7 3.0 TDI	Q7 [4MB]	06	3.0	183	201506	201903	DNOX Dosing Module	0 444 025 054	DNOX DM3 PC	201506	201903	-	-
Q7 3.0 TDI	Q7 [4MB]	06	3.0	183	201506	201903	High-Pressure Pump, CR System	0 445 010 813	CR / CP4HS2 / L90 / 40	201506	201903	-	82,246.00
Q7 3.0 TDI	Q7 [4MB]	06	3.0	183	201506	201903	Injector, CR System	0 445 117 041	CRI3-20	201506	201903	DBJ	31,631.00
A4 2.0 TDI	A4 [8W2, B9]	04	2.0	140	201505	201806	DNOX Dosing Module	0 444 025 023	DNOX5 / DM / 12 / 3 / 2 / W / S	201505	201608	-	-
A4 2.0 TDI	A4 [8W2, B9]	04	2.0	140	201505	201806	DNOX Dosing Module	0 444 025 048	DNOX DM3 PC	201609	201806	-	-
A4 2.0 TDI	A4 [8W2, B9]	04	2.0	140	201505	201806	High-Pressure Pump, CR System	0 445 010 583	CR / CP4HS1 / R35 / 10-S	201505	201806	-	71,396.00
A4 2.0 TDI	A4 [8W2, B9]	04	2.0	140	201505	201806	Injector, CR System	0 445 110 641	CRI2-20	201505	201806	24ZDBJ	-
A4 2.0 TDI	A4 [8W2, B9]	04	2.0	140	201505	201806	Injector, CR System	0 445 110 644	CRI2-20	201505	201806	X10DBJ	-

i													i	
	Type	Cyl.	l/ccm	kW			Product		Type	Fitment Date	Fitment Date		MRP (₹)	
BharatBenz														
914 3.9 Turbo	914	04	3.9	100	201302	201903	High-Pressure Pump, CR System	0 445 020 515	CR / CP4N1 / L50 / 20-S	201302	201903	-	86,971.00	
914 3.9 Turbo	914	04	3.9	100	201302	201903	Injector, CR System	0 445 110 519	CRI2-16 OHW	201302	201903	DBJ	22,170.00	
914 3.9 Turbo	914	04	3.9	100	201302	201903	Fuel Rail, CR System	0 445 224 082	HFR (H); CR / V4 / 10-2 S	201302	201903	-	-	
1214 3.9 Turbo	1214	04	3.9	100	201302	201903	High-Pressure Pump, CR System	0 445 020 515	CR / CP4N1 / L50 / 20-S	201302	201903	-	86,971.00	
1214 3.9 Turbo	1214	04	3.9	100	201302	201903	Injector, CR System	0 445 110 519	CRI2-16 OHW	201302	201903	DBJ	22,170.00	
1214 3.9 Turbo	1214	04	3.9	100	201302	201903	Fuel Rail, CR System	0 445 224 082	HFR (H); CR / V4 / 10-2 S	201302	201903	-	-	
1217	1217	04	3.9	125	201401	201903	DNOX Dosing Module	0 444 021 047	DM3.2	201401	201903	-	-	
1217	1217	04	3.9	125	201401	201903	DNOX Supply Module	0 444 110 016	DNOX6 / SM / 24 / D-EM / S	201401	201903	-	-	
1217	1217	04	3.9	125	201401	201903	High-Pressure Pump, CR System	0 445 020 515	CR / CP4N1 / L50 / 20-S	201401	201903	-	86,971.00	
1217	1217	04	3.9	125	201401	201903	Injector, CR System	0 445 110 519	CRI2-16 OHW	201401	201903	DBJ	22,170.00	
1217	1217	04	3.9	125	201401	201903	Fuel Rail, CR System	0 445 224 082	HFR (H); CR / V4 / 10-2 S	201401	201903	-	-	
School Bus	School Bus	04	3.9	103	201602	999999	High-Pressure Pump, CR System	0 445 020 515	CR / CP4N1 / L50 / 20-S	-	-	-	86,971.00	
School Bus	School Bus	04	3.9	103	201602	999999	High-Pressure Pump, CR System	0 445 020 515	CR / CP4N1 / L50 / 20-S	-	-	-	86,971.00	
School Bus	School Bus	04	3.9	103	201602	999999	High-Pressure Pump, CR System	0 445 020 515	CR / CP4N1 / L50 / 20-S	-	-	-	86,971.00	
School Bus	School Bus	04	3.9	103	201602	999999	DNOX Dosing Module	0 444 021 047	DM3.2	-	-	-	-	
School Bus	School Bus	04	3.9	103	201602	999999	DNOX Supply Module	0 444 110 016	DNOX6 / SM / 24 / D-EM / S	-	-	-	-	
Staff Bus	Staff Bus	04	3.9	103	201602	999999	Injector, CR System	0 445 110 519	CRI2-16 OHW	-	-	-	22,170.00	
Staff Bus	Staff Bus	04	3.9	103	201602	999999	Injector, CR System	0 445 110 519	CRI2-16 OHW	-	-	-	22,170.00	
Staff Bus	Staff Bus	04	3.9	103	201602	999999	Injector, CR System	0 445 110 519	CRI2-16 OHW	-	-	-	22,170.00	
Staff Bus	Staff Bus	04	3.9	103	201602	999999	DNOX Dosing Module	0 444 021 047	DM3.2	-	-	-	-	
Staff Bus	Staff Bus	04	3.9	103	201602	999999	DNOX Supply Module	0 444 110 016	DNOX6 / SM / 24 / D-EM / S	-	-	-	-	
Tourist Bus	Tourist Bus	04	3.9	125	201602	999999	Fuel Rail, CR System	0 445 224 082	HFR (H); CR / V4 / 10-2 S	-	-	-	-	
Tourist Bus	Tourist Bus	04	3.9	125	201602	999999	Fuel Rail, CR System	0 445 224 082	HFR (H); CR / V4 / 10-2 S	-	-	-	-	
Tourist Bus	Tourist Bus	04	3.9	125	201602	999999	Fuel Rail, CR System	0 445 224 082	HFR (H); CR / V4 / 10-2 S	-	-	-	-	
Tourist Bus	Tourist Bus	04	3.9	125	201602	999999	DNOX Dosing Module	0 444 021 047	DM3.2	-	-	-	-	
Tourist Bus	Tourist Bus	04	3.9	125	201602	999999	DNOX Supply Module	0 444 110 016	DNOX6 / SM / 24 / D-EM / S	-	-	-	-	
Force Motors (Bajaj Tempo)														
Traveller 2.2 Diesel	Traveller	04	2.1	45	201210	201903	High-Pressure Pump, CR System	0 445 010 386	CR / CP1K3 / L60 / 10S	201210	201903	-	-	
Traveller 2.2 Diesel	Traveller	04	2.1	45	201210	201903	Injector, CR System	0 445 110 439	CRI2-16	201210	201903	DBJ	9,460.00	
Traveller 2.2 Diesel	Traveller	04	2.1	45	201210	201903	Fuel Rail, CR System	0 445 214 265	CR / V4 / 10-12S	201210	201903	-	14,420.00	
Force One	Force One [One]	04	2.1	104	201108	201903	High-Pressure Pump, CR System	0 445 010 386	CR / CP1K3 / L60 / 10S	201108	201903	-	-	
Force One	Force One [One]	04	2.1	104	201108	201903	Injector, CR System	0 445 110 439	CRI2-16	201108	201903	DBJ	9,460.00	
Force One	Force One [One]	04	2.1	104	201108	201903	Fuel Rail, CR System	0 445 214 265	CR / V4 / 10-12S	201108	201903	-	14,420.00	
Force One 2.2 TD 4WD	Force One [One]	04	2.1	104	201405	201903	High-Pressure Pump, CR System	0 445 010 386	CR / CP1K3 / L60 / 10S	201405	201903	-	-	
Force One 2.2 TD 4WD	Force One [One]	04	2.1	104	201405	201903	Injector, CR System	0 445 110 439	CRI2-16	201405	201903	DBJ	9,460.00	
Force One 2.2 TD 4WD	Force One [One]	04	2.1	104	201405	201903	Fuel Rail, CR System	0 445 214 265	CR / V4 / 10-12S	201405	201903	-	14,420.00	
BMW														
530 d	5 [E 60]	06	3.0	170	200509	200702	High-Pressure Pump, CR System	0 445 010 126	CR / CP3S3 / R70 / 20-89S	200509	200702	-	75,532.00	
530 d	5 [E 60]	06	3.0	170	200509	200702	Injector, CR System	0 445 115 070	CRI3-16	200509	200702	DBJ	26,209.00	
530 d	5 [E 60]	06	3.0	170	200509	200702	Fuel Rail, CR System	0 445 216 015	CR / V6 / 10-12S	200509	200702	-	-	
730 d	7 [E 65]	06	3.0	170	200504	200810	High-Pressure Pump, CR System	0 445 010 126	CR / CP3S3 / R70 / 20-89S	200504	200810	-	75,532.00	
730 d	7 [E 65]	06	3.0	170	200504	200810	Injector, CR System	0 445 115 070	CRI3-16	200504	200810	DBJ	26,209.00	
730 d	7 [E 65]	06	3.0	170	200504	200810	Fuel Rail, CR System	0 445 216 015	CR / V6 / 10-12S	200504	200810	-	-	
320 d	3 [E 90]	04	2.0	210	200709	201003	High-Pressure Pump, CR System	0 445 010 580	CR / CP4S1 / L40 / 20S	200709	201003	-	78,626.00	
320 d	3 [E 90]	04	2.0	210	200709	201003	Injector, CR System	0 445 116 001	CRI3-18	200709	200808	DBJ	28,016.00	
320 d	3 [E 90]	04	2.0	210	200709	201003	Injector, CR System	0 445 116 001	CRI3-18	200809	201003	EU3DBJ	28,016.00	
320 d	3 [E 90]	04	2.0	210	200709	201003	Injector, CR System	0 445 116 024	CRI3-18	200809	201003	EU4DBJ	29,824.00	
320 d	3 [E 90]	04	2.0	210	200709	201003	Fuel Rail, CR System	0 445 214 135	CR / V4 / 10-12S	200709	201003	-	16,494.00	
730 Ld	7 [F 02]	06	3.0	300	200903	201206	High-Pressure Pump, CR System	0 445 010 688	CR / CP4S2 / L70 / 40	200903	201206	-	80,434.00	
730 Ld	7 [F 02]	06	3.0	300	200903	201206	Injector, CR System	0 445 116 024	CRI3-18	200903	201206	DBJ	29,824.00	



							Product		Type				MRP (₹)
730 Ld	7 [F 02]	06	3.0	300	200903	201206	Fuel Rail, CR System	0 445 216 036	CR / V6 / 10-12	200903	201206	-	18,105.00
X 5 xDrive 30 d	X 5 [E 70]	06	3.0	173	200810	201003	High-Pressure Pump, CR System	0 445 010 126	CR / CP3S3 / R70 / 20-89S	200810	201003	-	75,532.00
X 5 xDrive 30 d	X 5 [E 70]	06	3.0	173	200810	201003	Injector, CR System	0 445 115 077	CR13-16	200810	201003	DBJ	24,850.00
X 5 xDrive 30 d	X 5 [E 70]	06	3.0	173	200810	201003	Fuel Rail, CR System	0 445 216 015	CR / V6 / 10-12S	200810	201003	-	-
X 3 xDrive 20 d	X 3 [E 83]	04	2.0	120	200809	201008	High-Pressure Pump, CR System	0 445 010 580	CR / CP4S1 / L40 / 20S	200809	201008	-	78,626.00
X 3 xDrive 20 d	X 3 [E 83]	04	2.0	120	200809	201008	Injector, CR System	0 445 116 001	CR13-18	200809	201008	DBJ	28,016.00
X 3 xDrive 20 d	X 3 [E 83]	04	2.0	120	200809	201008	Fuel Rail, CR System	0 445 214 135	CR / V4 / 10-12S	200809	201008	-	16,494.00
330 d Cabrio	3 [E 93] Cabrio	06	3.0	160	200903	201309	High-Pressure Pump, CR System	0 445 010 688	CR / CP4S2 / L70 / 40	200903	201309	-	80,434.00
330 d Cabrio	3 [E 93] Cabrio	06	3.0	160	200903	201309	Injector, CR System	0 445 116 024	CR13-18	200903	201309	DBJ	29,824.00
330 d Cabrio	3 [E 93] Cabrio	06	3.0	160	200903	201309	Fuel Rail, CR System	0 445 216 036	CR / V6 / 10-12	200903	201309	-	18,105.00
X 1 sDrive 20 d	X 1 [E 84]	04	2.0	120	200910	201206	High-Pressure Pump, CR System	0 445 010 558	CR / CP4S1 / L35 / 20	200910	201206	-	-
X 1 sDrive 20 d	X 1 [E 84]	04	2.0	120	200910	201206	Injector, CR System	0 445 116 024	CR13-18	200910	201206	DBJ	29,824.00
X 1 sDrive 20 d	X 1 [E 84]	04	2.0	120	200910	201206	Fuel Rail, CR System	0 445 214 135	CR / V4 / 10-12S	200910	201206	-	16,494.00
530 d GT	5 [F 07] GT	06	3.0	180	200910	201206	High-Pressure Pump, CR System	0 445 010 688	CR / CP4S2 / L70 / 40	200910	201206	-	80,434.00
530 d GT	5 [F 07] GT	06	3.0	180	200910	201206	Injector, CR System	0 445 116 024	CR13-18	200910	201206	DBJ	29,824.00
530 d GT	5 [F 07] GT	06	3.0	180	200910	201206	Fuel Rail, CR System	0 445 216 036	CR / V6 / 10-12	200910	201206	-	18,105.00
520 d	5 [F 10]	04	2.0	135	201005	201610	High-Pressure Pump, CR System	0 445 010 573	CR / CP4	201005	201610	-	-
520 d	5 [F 10]	04	2.0	135	201005	201610	Injector, CR System	0 445 110 595	CR12-18	201005	201610	DBJ	-
520 d	5 [F 10]	04	2.0	135	201005	201610	Fuel Rail, CR System	0 445 214 135	CR / V4 / 10-12S	201005	201610	-	16,494.00
525 d	5 [F 10]	06	3.0	135	201003	201108	High-Pressure Pump, CR System	0 445 010 688	CR / CP4S2 / L70 / 40	201003	201108	-	80,434.00
525 d	5 [F 10]	06	3.0	135	201003	201108	Injector, CR System	0 445 116 024	CR13-18	201003	201108	DBJ	29,824.00
525 d	5 [F 10]	06	3.0	135	201003	201108	Fuel Rail, CR System	0 445 216 036	CR / V6 / 10-12	201003	201108	-	18,105.00
530 d	5 [F 10]	06	3.0	135	201003	201108	High-Pressure Pump, CR System	0 445 010 688	CR / CP4S2 / L70 / 40	201003	201108	-	80,434.00
530 d	5 [F 10]	06	3.0	135	201003	201108	Injector, CR System	0 445 116 024	CR13-18	201003	201108	DBJ	29,824.00
530 d	5 [F 10]	06	3.0	135	201003	201108	Fuel Rail, CR System	0 445 216 036	CR / V6 / 10-12	201003	201108	-	18,105.00
X 3 xDrive 20 d	X 3 [F 25]	04	2.0	120	201010	201708	High-Pressure Pump, CR System	0 445 010 573	CR / CP4	201010	201611	-	-
X 3 xDrive 20 d	X 3 [F 25]	04	2.0	120	201010	201708	High-Pressure Pump, CR System	0 445 010 794	CR / CP4S1 / L40 / 20	201612	201708	-	75,915.00
X 3 xDrive 20 d	X 3 [F 25]	04	2.0	120	201010	201708	Injector, CR System	0 445 110 595	CR12-18	201010	201708	DBJ	-
X 3 xDrive 20 d	X 3 [F 25]	04	2.0	120	201010	201708	Fuel Rail, CR System	0 445 214 135	CR / V4 / 10-12S	201010	201708	-	16,494.00
X 5 xDrive 30 d	X 5 [E 70]	06	3.0	173	201004	201306	DNOX Dosing Module	0 444 021 013	DNXP / DM / !" / S	201004	201306	-	5,412.00
X 5 xDrive 30 d	X 5 [E 70]	06	3.0	173	201004	201306	High-Pressure Pump, CR System	0 445 010 688	CR / CP4S2 / L70 / 40	201004	201306	-	80,434.00
X 5 xDrive 30 d	X 5 [E 70]	06	3.0	173	201004	201306	Injector, CR System	0 445 116 024	CR13-18	201004	201306	DBJ	29,824.00
X 5 xDrive 30 d	X 5 [E 70]	06	3.0	173	201004	201306	Fuel Rail, CR System	0 445 216 036	CR / V6 / 10-12	201004	201306	-	18,105.00
X 5 xDrive 30 d	X 5 [E 70]	06	3.0	173	201004	201306	DNOX Supply Module	F 01C 600 210	DNOX3.1 Fördermodul / Supply Module	201004	201306	-	-
X 6 xDrive 30 d	X 6 [E 71]	06	3.0	155	201004	201406	DNOX Dosing Module	0 444 021 013	DNXP / DM / S	201004	201406	-	5,412.00
X 6 xDrive 30 d	X 6 [E 71]	06	3.0	155	201004	201406	High-Pressure Pump, CR System	0 445 010 688	CR / CP4S2 / L70 / 40	201004	201406	-	80,434.00
X 6 xDrive 30 d	X 6 [E 71]	06	3.0	155	201004	201406	Injector, CR System	0 445 116 024	CR13-18	201004	201406	DBJ	29,824.00
X 6 xDrive 30 d	X 6 [E 71]	06	3.0	155	201004	201406	Fuel Rail, CR System	0 445 216 036	CR / V6 / 10-12	201004	201406	-	18,105.00
X 6 xDrive 30 d	X 6 [E 71]	06	3.0	155	201004	201406	DNOX Supply Module	F 01C 600 210	DNOX3.1 Fördermodul / Supply Module	201004	201406	-	-
X 6 xDrive 40 d	X 6 [E 71]	06	3.0	155	201004	201406	High-Pressure Pump, CR System	0 445 010 665	CR / CP4HS2 / L70 / 40	201004	201406	-	80,434.00
X 6 xDrive 40 d	X 6 [E 71]	06	3.0	155	201004	201406	Injector, CR System	0 445 117 017	CR13-20	201004	201406	DBJ	27,113.00
X 6 xDrive 40 d	X 6 [E 71]	06	3.0	155	201004	201406	Fuel Rail, CR System	0 445 216 036	CR / V6 / 10-12	201004	201406	-	18,105.00
X 3 xDrive 30 d	X 3 [F 25]	06	3.0	120	201104	201708	High-Pressure Pump, CR System	0 445 010 852	CR / CP4S2 / L75 / 40	201104	201708	-	80,434.00
X 3 xDrive 30 d	X 3 [F 25]	06	3.0	120	201104	201708	Injector, CR System	0 445 110 595	CR12-18	201104	201708	DBJ	-
X 3 xDrive 30 d	X 3 [F 25]	06	3.0	120	201104	201708	Fuel Rail, CR System	0 445 216 036	CR / V6 / 10-12	201104	201708	-	18,105.00
118 d	1 [F 20]	04	2.0	105	201109	201502	High-Pressure Pump, CR System	0 445 010 554	CR / CP4S1 / L30 / 10	201109	201502	-	-
118 d	1 [F 20]	04	2.0	105	201109	201502	Injector, CR System	0 445 110 601	CR12-16	201109	201502	DBJ	-
118 d	1 [F 20]	04	2.0	105	201109	201502	Fuel Rail, CR System	0 445 214 182	CR / V4 / 10-12S	201109	201502	-	9,014.00
525 d	5 [F 10]	04	2.0	135	201109	201610	High-Pressure Pump, CR System	0 445 010 784	CR / CP4HS1 / L40 / 20	201109	201610	-	-
525 d	5 [F 10]	04	2.0	135	201109	201610	Injector, CR System	0 445 117 030	CR13-20	201109	201610	DBJ	28,920.00



	Type	Cyl.	l/ccm	kW			Product		Type	Fitment Date	Fitment Date		MRP (₹)
BMW													
525 d	5 [F 10]	04	2.0	135	201109	201610	Fuel Rail, CR System	0 445 214 135	CR / V4 / 10-12S	201109	201610	-	16,494.00
530 d	5 [F 10]	06	3.0	135	201109	201610	High-Pressure Pump, CR System	0 445 010 852	CR / CP4S2 / L75 / 40	201109	201610	-	80,434.00
530 d	5 [F 10]	06	3.0	135	201109	201610	Injector, CR System	0 445 110 595	CR12-18	201109	201610	DBJ	-
530 d	5 [F 10]	06	3.0	135	201109	201610	Fuel Rail, CR System	0 445 216 036	CR / V6 / 10-12	201109	201610	-	18,105.00
320 d	3 [F 30]	04	2.0	135	201202	201603	High-Pressure Pump, CR System	0 445 010 573	CR / CP4	201202	201603	-	-
320 d	3 [F 30]	04	2.0	135	201202	201603	Injector, CR System	0 445 110 595	CR12-18	201202	201603	DBJ	-
320 d	3 [F 30]	04	2.0	135	201202	201603	Fuel Rail, CR System	0 445 214 135	CR / V4 / 10-12S	201202	201603	-	16,494.00
640 d Coupe xDrive	6 [F 13] Coupe	06	3.0	235	201203	201903	High-Pressure Pump, CR System	0 445 010 854	CR / CP4HS2 / L75 / 40	201203	201903	-	80,434.00
640 d Coupe xDrive	6 [F 13] Coupe	06	3.0	235	201203	201903	Injector, CR System	0 445 117 030	CR13-20	201203	201903	DBJ	28,920.00
640 d Coupe xDrive	6 [F 13] Coupe	06	3.0	235	201203	201903	Fuel Rail, CR System	0 445 216 036	CR / V6 / 10-12	201203	201903	-	18,105.00
640 d Cabrio xDrive	6 [F 12] Cabrio	06	3.0	235	201203	201805	High-Pressure Pump, CR System	0 445 010 854	CR / CP4HS2 / L75 / 40	201203	201805	-	80,434.00
640 d Cabrio xDrive	6 [F 12] Cabrio	06	3.0	235	201203	201805	Injector, CR System	0 445 117 030	CR13-20	201203	201805	DBJ	28,920.00
640 d Cabrio xDrive	6 [F 12] Cabrio	06	3.0	235	201203	201805	Fuel Rail, CR System	0 445 216 036	CR / V6 / 10-12	201203	201805	-	18,105.00
640 d GC	6 [F 06] GC	06	3.0	230	201205	201903	High-Pressure Pump, CR System	0 445 010 854	CR / CP4HS2 / L75 / 40	201205	201903	-	80,434.00
640 d GC	6 [F 06] GC	06	3.0	230	201205	201903	Injector, CR System	0 445 117 030	CR13-20	201205	201903	DBJ	28,920.00
640 d GC	6 [F 06] GC	06	3.0	230	201205	201903	Fuel Rail, CR System	0 445 216 036	CR / V6 / 10-12	201205	201903	-	18,105.00
730 Ld	7 [F 02]	06	3.0	300	201207	201505	High-Pressure Pump, CR System	0 445 010 852	CR / CP4S2 / L75 / 40	201207	201505	-	80,434.00
730 Ld	7 [F 02]	06	3.0	300	201207	201505	Injector, CR System	0 445 110 595	CR12-18	201207	201505	DBJ	-
730 Ld	7 [F 02]	06	3.0	300	201207	201505	Fuel Rail, CR System	0 445 216 036	CR / V6 / 10-12	201207	201505	-	18,105.00
X 1 sDrive 20 d	X 1 [E 84]	04	2.0	120	201207	201506	High-Pressure Pump, CR System	0 445 010 573	CR / CP4	201207	201506	-	-
X 1 sDrive 20 d	X 1 [E 84]	04	2.0	120	201207	201506	Injector, CR System	0 445 110 595	CR12-18	201207	201506	DBJ	-
X 1 sDrive 20 d	X 1 [E 84]	04	2.0	120	201207	201506	Fuel Rail, CR System	0 445 214 135	CR / V4 / 10-12S	201207	201506	-	16,494.00
320 d GT	3 [F 34] GT	04	2.0	120	201306	201506	High-Pressure Pump, CR System	0 445 010 573	CR / CP4	201306	201506	-	-
320 d GT	3 [F 34] GT	04	2.0	120	201306	201506	Injector, CR System	0 445 110 595	CR12-18	201306	201506	DBJ	-
320 d GT	3 [F 34] GT	04	2.0	120	201306	201506	Fuel Rail, CR System	0 445 214 135	CR / V4 / 10-12S	201306	201506	-	16,494.00
X 5 xDrive 30 d	X 5 [F 15]	06	3.0	190	201311	201806	DNOX Dosing Module	0 444 025 010	DNXP / DM / 12 / 3 / 3W / S	201311	201806	-	-
X 5 xDrive 30 d	X 5 [F 15]	06	3.0	190	201311	201806	High-Pressure Pump, CR System	0 445 010 852	CR / CP4S2 / L75 / 40	201311	201806	-	80,434.00
X 5 xDrive 30 d	X 5 [F 15]	06	3.0	190	201311	201806	Injector, CR System	0 445 110 595	CR12-18	201311	201806	DBJ	-
X 5 xDrive 30 d	X 5 [F 15]	06	3.0	190	201311	201806	Injector, CR System	0 445 110 597	CR12-18	201311	201806	DBJ	-
X 5 xDrive 30 d	X 5 [F 15]	06	3.0	190	201311	201806	Fuel Rail, CR System	0 445 216 036	CR / V6 / 10-12	201311	201806	-	18,105.00
X 5 xDrive 30 d	X 5 [F 15]	06	3.0	190	201311	201806	DNOX Supply Module	F 01C 600 265	DNOX5 Pump EN / Pump Kit	201311	201806	-	-
X 3 xDrive 20 d	X 3 [F 25]	04	2.0	120	201404	201708	High-Pressure Pump, CR System	0 445 010 587	CR / CP4	201404	201609	-	75,915.00
X 3 xDrive 20 d	X 3 [F 25]	04	2.0	120	201404	201708	High-Pressure Pump, CR System	0 445 010 767	CR / CP4	201610	201708	-	61,198.00
X 3 xDrive 20 d	X 3 [F 25]	04	2.0	120	201404	201708	Injector, CR System	0 445 110 570	CR12-20	201404	201708	DBJ	-
X 3 xDrive 20 d	X 3 [F 25]	04	2.0	120	201404	201708	Fuel Rail, CR System	0 445 214 315	HFR;CR / V4 / 10-12S	201404	201708	-	5,062.00
520 d xDrive	5 [F 10]	04	2.0	135	201406	201610	DNOX Dosing Module	0 444 025 010	DNXP / DM / 12 / 3 / 3W / S	201406	201610	-	-
520 d xDrive	5 [F 10]	04	2.0	135	201406	201610	High-Pressure Pump, CR System	0 445 010 587	CR / CP4	201406	201609	-	75,915.00
520 d xDrive	5 [F 10]	04	2.0	135	201406	201610	High-Pressure Pump, CR System	0 445 010 767	CR / CP4	201610	201610	-	61,198.00
520 d xDrive	5 [F 10]	04	2.0	135	201406	201610	Injector, CR System	0 445 110 570	CR12-20	201406	201610	DBJ	-
520 d xDrive	5 [F 10]	04	2.0	135	201406	201610	Fuel Rail, CR System	0 445 214 315	HFR;CR / V4 / 10-12S	201406	201610	-	5,062.00
520 d xDrive	5 [F 10]	04	2.0	135	201406	201610	DNOX Supply Module	F 01C 600 265	DNOX5 Pump EN / Pump Kit	201406	201610	-	-
X 6 xDrive 40 d	X 6 [F 16]	06	3.0	230	201412	201903	DNOX Dosing Module	0 444 025 010	DNXP / DM / 12 / 3 / 3W / S	201412	201903	-	-
X 6 xDrive 40 d	X 6 [F 16]	06	3.0	230	201412	201903	High-Pressure Pump, CR System	0 445 010 854	CR / CP4HS2 / L75 / 40	201412	201903	-	80,434.00
X 6 xDrive 40 d	X 6 [F 16]	06	3.0	230	201412	201903	Injector, CR System	0 445 117 030	CR13-20	201412	201903	DBJ	28,920.00
X 6 xDrive 40 d	X 6 [F 16]	06	3.0	230	201412	201903	Fuel Rail, CR System	0 445 216 036	CR / V6 / 10-12	201412	201903	-	18,105.00
X 6 xDrive 40 d	X 6 [F 16]	06	3.0	230	201412	201903	DNOX Supply Module	F 01C 600 265	DNOX5 Pump EN / Pump Kit	201412	201903	-	-
X 1 xDrive 20 d	X 1 [F 48]	04	2.0	100	201510	201903	High-Pressure Pump, CR System	0 445 010 587	CR / CP4	201510	201609	-	75,915.00
X 1 xDrive 20 d	X 1 [F 48]	04	2.0	100	201510	201903	High-Pressure Pump, CR System	0 445 010 767	CR / CP4	201610	201903	-	61,198.00
X 1 xDrive 20 d	X 1 [F 48]	04	2.0	100	201510	201903	Injector, CR System	0 445 110 570	CR12-20	201510	201903	DBJ	-
X 1 xDrive 20 d	X 1 [F 48]	04	2.0	100	201510	201903	Fuel Rail, CR System	0 445 214 315	HFR;CR / V4 / 10-12S	201510	201903	-	5,062.00



BMW

BMW

								Product		Type				MRP (₹)
BMW														
	730 Ld	7 [G 12]	06	3.0	155	201509	201903	DNOX Dosing Module	0 444 025 029	DNOX DM3 PC	201509	201903	-	-
	730 Ld	7 [G 12]	06	3.0	155	201509	201903	High-Pressure Pump, CR System	0 445 010 840	CR / CP4	201509	201903	-	-
	730 Ld	7 [G 12]	06	3.0	155	201509	201903	Injector, CR System	0 445 118 023	CR13-25	201509	201903	DBJ	-
	730 Ld	7 [G 12]	06	3.0	155	201509	201903	Fuel Rail, CR System	0 445 216 051	HFR; CR / V6 / 10-12S	201509	201903	-	-
	730 Ld	7 [G 12]	06	3.0	155	201509	201903	DNOX Supply Module	F 01C 600 265	DNOX5 Pump EN / Pump Kit	201509	201903	-	-
	X 1 sDrive 20 d	X 1 [F 48]	04	2.0	100	201511	201903	High-Pressure Pump, CR System	0 445 010 587	CR / CP4	201511	201609	-	75,915.00
	X 1 sDrive 20 d	X 1 [F 48]	04	2.0	100	201511	201903	High-Pressure Pump, CR System	0 445 010 767	CR / CP4	201610	201903	-	61,198.00
	X 1 sDrive 20 d	X 1 [F 48]	04	2.0	100	201511	201903	Injector, CR System	0 445 110 570	CR12-20	201511	201903	DBJ	-
	X 1 sDrive 20 d	X 1 [F 48]	04	2.0	100	201511	201903	Fuel Rail, CR System	0 445 214 315	HFR; CR / V4 / 10-12S	201511	201903	-	5,062.00
	520 d	5 [G 30]	04	2.0	140	201702	201903	High-Pressure Pump, CR System	0 445 010 767	CR / CP4	201702	201903	-	61,198.00
	520 d	5 [G 30]	04	2.0	140	201702	201903	Injector, CR System	0 445 110 570	CR12-20	201702	201903	DBJ	-
	520 d	5 [G 30]	04	2.0	140	201702	201903	Fuel Rail, CR System	0 445 214 315	HFR; CR / V4 / 10-12S	201702	201903	-	5,062.00
Chevrolet														
	Captiva 2.0 CDRi	Captiva [C100]	04	2.0	110	200610	201102	High-Pressure Pump, CR System	0 445 010 142	CR / CP1H3 / R70 / 10-89S	200610	200812	-	63,783.00
	Captiva 2.0 CDRi	Captiva [C100]	04	2.0	110	200610	201102	High-Pressure Pump, CR System	0 445 010 332	CR / CP1H3 / R70 / 10-89S	200801	201102	-	57,183.00
	Captiva 2.0 CDRi	Captiva [C100]	04	2.0	110	200610	201102	Injector, CR System	0 445 110 269	CR12-16	200610	201102	DBJ	17,384.00
	Captiva 2.0 CDRi	Captiva [C100]	04	2.0	110	200610	201102	Fuel Rail, CR System	0 445 214 105	CR / V4 / 10-12S	200610	200812	-	-
	Captiva 2.0 CDRi 4x4	Captiva [C100]	04	2.0	110	200610	201102	High-Pressure Pump, CR System	0 445 010 142	CR / CP1H3 / R70 / 10-89S	200610	200812	-	63,783.00
	Captiva 2.0 CDRi 4x4	Captiva [C100]	04	2.0	110	200610	201102	High-Pressure Pump, CR System	0 445 010 332	CR / CP1H3 / R70 / 10-89S	200801	201102	-	57,183.00
	Captiva 2.0 CDRi 4x4	Captiva [C100]	04	2.0	110	200610	201102	Injector, CR System	0 445 110 269	CR12-16	200610	201102	DBJ	17,384.00
	Captiva 2.0 CDRi 4x4	Captiva [C100]	04	2.0	110	200610	201102	Fuel Rail, CR System	0 445 214 105	CR / V4 / 10-12S	200610	200812	-	-
	Captiva 2.0 CRDi 4x4	Captiva	04	2.0	110	200901	201903	Injector, CR System	0 445 110 269	CR12-16	200901	201903	DBJ	17,384.00
	Optra 2.0i 16V	Optra	04	2.0	94	200706	201903	Injector, CR System	0 445 110 269	CR12-16	200706	201903	DBJ	17,384.00
	Beat 0.9D	Beat [M300]	03	0.9	43	201107	201903	High-Pressure Pump, CR System	0 445 010 293	CR / CP1H3 / R70 / 10-89S	201107	201903	-	61,498.00
	Beat 0.9D	Beat [M300]	03	0.9	43	201107	201903	Injector, CR System	0 445 110 450	CR12-16	201107	201903	DBJ	8,736.00
	Beat 0.9D	Beat [M300]	03	0.9	43	201107	201903	Fuel Rail, CR System	0 445 214 224	CR / V4 / 10-2S	201107	201903	-	14,674.00
	Sail 1.3D	Sail	04	1.3	66	201211	201903	High-Pressure Pump, CR System	0 445 010 278	CR / CP1K3 / R55 / 10-S	201211	201903	-	51,160.00
	Sail 1.3D	Sail	04	1.3	66	201211	201903	Injector, CR System	0 445 110 425	CR12-16	201211	201903	DBJ	16,200.00
	Sail 1.3D	Sail	04	1.3	66	201211	201903	Fuel Rail, CR System	0 445 213 029	HFR;CR / V4 / 10-23	201211	201903	-	-
	Enjoy 1.3D	Enjoy	04	1.3	56	201305	201903	High-Pressure Pump, CR System	0 445 010 278	CR / CP1K3 / R55 / 10-S	201305	201903	-	51,160.00
	Enjoy 1.3D	Enjoy	04	1.3	56	201305	201903	Injector, CR System	0 445 110 425	CR12-16	201305	201903	DBJ	16,200.00
	Enjoy 1.3D	Enjoy	04	1.3	56	201305	201903	Fuel Rail, CR System	0 445 213 029	HFR;CR / V4 / 10-23	201305	201903	-	-
	Cruze 2.0	Cruze	04	2.0	103	201309	201903	DNOX Dosing Module	0 444 021 036	DNXP / DM / 12V / 3 / S	201309	201508	-	-
	Cruze 2.0	Cruze	04	2.0	103	201309	201903	High-Pressure Pump, CR System	0 445 010 393	CR / CP1H3 / R70 / 10-89S	201309	201508	-	-
	Cruze 2.0	Cruze	04	2.0	103	201309	201903	Injector, CR System	0 445 117 037	CR13-20	201309	201508	DBJ	-
	Cruze 2.0	Cruze	04	2.0	103	201309	201903	Fuel Rail, CR System	0 445 214 189	CR / V4 / 10-12S	201309	201508	DRR,JKF	-
	Cruze 2.0	Cruze	04	2.0	103	201309	201903	DNOX Supply Module	F 01C 600 200	DNOX3.1 Fördermodul / Supply Module	201309	201508	-	-
	Sail 1.3 D	Sail	04	1.3	66	201302	201903	High-Pressure Pump, CR System	0 445 010 278	CR / CP1K3 / R55 / 10-S	201302	201903	-	51,160.00
	Sail 1.3 D	Sail	04	1.3	66	201302	201903	Injector, CR System	0 445 110 450	CR12-16	201302	201903	DBJ	8,736.00
	Sail 1.3 D	Sail	04	1.3	66	201302	201903	Fuel Rail, CR System	0 445 214 224	CR / V4 / 10-2S	201302	201903	-	14,674.00
Dacia														
	Lodgy 1.5 dCi	Lodgy [JS]	04	1.5	66	201203	201812	High-Pressure Pump, CR System	0 445 010 530	CR / CP4S1 / R30 / 10-S	201203	201307	-	60,551.00
	Lodgy 1.5 dCi	Lodgy [JS]	04	1.5	66	201203	201812	High-Pressure Pump, CR System	0 445 010 704	CR / CP4S1 / R30 / 10-S	201308	201812	-	60,551.00
	Lodgy 1.5 dCi	Lodgy [JS]	04	1.5	66	201203	201812	Injector, CR System	0 445 110 485	CR12-18	201203	201812	/ DBB	26,209.00
Eicher														
	3013	3013	04	3.8	89	201401	999999	DNOX Dosing Module	0 444 043 146	DNOX22 / DM / 24 / 7.2 / 3-SAE / S	-	-	-	-
	3013	3013	04	3.8	89	201401	999999	DNOX Supply Module	0 444 042 138	DNX22 / PM / 12 / W / D / S	-	-	-	-
	3013	3013	04	3.8	89	201401	999999	DNOX Supply Module	0 444 042 140	DNX22 / PM / 24 / W / D / S	-	-	-	-
	Starline 3.3 CRDi 10.75H	Starline	04	3.3	68	201701	999999	High-Pressure Pump, CR System	0 445 025 065	CR / CB18 S2 / R 100 / 20-789V	-	-	-	28,840.00
	Starline 3.3 CRDi 10.75H	Starline	04	3.3	68	201701	999999	Injector, CR System	0 445 110 840	CR12-16 OHW	-	-	-	9,192.00



Eicher

Eicher

Fiat

Fiat

Ford

Ford

								Product		Type				MRP (₹)
Eicher														
	Starline 3.3 CRDI 10.75H	Starline	04	3.3	68	201701	999999	Fuel Rail, CR System	0 445 224 107	HFR; CR / V4 / 10-23S	-	-	-	-
	10.90 L 40	10.90	04	3.3	70	201401	999999	High-Pressure Pump, CR System	0 445 025 065	CR / CB18 S2 / R 100 / 20-789V	-	-	-	28,840.00
	10.90 L 40	10.90	04	3.3	70	201401	999999	Injector, CR System	0 445 110 840	CRI2-16 OHW	-	-	-	9,192.00
	10.90 L 40	10.90	04	3.3	70	201401	999999	Fuel Rail, CR System	0 445 224 107	HFR; CR / V4 / 10-23S	-	-	-	-
	Skyline Pro 3008	Skyline Pro 3008	04	3.8	90	201602	999999	DNOX Dosing Module	0 444 043 146	DNOX22 / DM / 24 / 7.2 / 3-SAE / S	-	-	-	-
	Skyline Pro 3008	Skyline Pro 3008	04	3.8	90	201602	999999	DNOX Supply Module	0 444 042 138	DNX22 / PM / 12 / W / D / S	-	-	-	-
	Skyline Pro 3008	Skyline Pro 3008	04	3.8	90	201602	999999	DNOX Supply Module	0 444 042 140	DNX22 / PM / 24 / W / D / S	-	-	-	-
	Pro 3012 TCI BS IV	Pro 3012	04	3.8	101	201511	999999	DNOX Dosing Module	0 444 043 146	DNOX22 / DM / 24 / 7.2 / 3-SAE / S	-	-	-	-
	Pro 3012 TCI BS IV	Pro 3012	04	3.8	101	201511	999999	DNOX Supply Module	0 444 042 138	DNX22 / PM / 12 / W / D / S	-	-	-	-
	Pro 3012 TCI BS IV	Pro 3012	04	3.8	101	201511	999999	DNOX Supply Module	0 444 042 140	DNX22 / PM / 24 / W / D / S	-	-	-	-
	Pro 3015 TCI BS IV	Pro 3015	04	3.8	101	201602	999999	DNOX Dosing Module	0 444 043 146	DNOX22 / DM / 24 / 7.2 / 3-SAE / S	-	-	-	-
	Pro 3015 TCI BS IV	Pro 3015	04	3.8	101	201602	999999	DNOX Supply Module	0 444 042 138	DNX22 / PM / 12 / W / D / S	-	-	-	-
	Pro 3015 TCI BS IV	Pro 3015	04	3.8	101	201602	999999	DNOX Supply Module	0 444 042 140	DNX22 / PM / 24 / W / D / S	-	-	-	-
	Pro 3015 TCI BS IV	Pro 3016	04	3.8	121	201602	999999	DNOX Dosing Module	0 444 043 146	DNOX22 / DM / 24 / 7.2 / 3-SAE / S	-	-	-	-
	Pro 3015 TCI BS IV	Pro 3016	04	3.8	121	201602	999999	DNOX Supply Module	0 444 042 138	DNX22 / PM / 12 / W / D / S	-	-	-	-
	Pro 3015 TCI BS IV	Pro 3016	04	3.8	121	201602	999999	DNOX Supply Module	0 444 042 140	DNX22 / PM / 24 / W / D / S	-	-	-	-
Fiat														
	Punto 1.3 JTD 16V	Punto '03 [188]	04	1.3	51	200306	201012	High-Pressure Pump, CR System	0 445 010 276	CR / CP1K3 / R55 / 10-S	200306	201012	-	52,669.00
	Punto 1.3 JTD 16V	Punto '03 [188]	04	1.3	51	200306	201012	Injector, CR System	0 445 110 083	CRI1-MI	200306	201012	DBJ	21,690.00
	Punto 1.3 JTD 16V	Punto '03 [188]	04	1.3	51	200306	201012	Fuel Rail, CR System	0 445 214 044	CR / V4 / 10-12S	200306	201012	-	19,228.00
	500 1.3 MultiJet	500 [312]	04	1.3	55	200707	201212	High-Pressure Pump, CR System	0 445 010 276	CR / CP1K3 / R55 / 10-S	200707	201212	-	52,669.00
	500 1.3 MultiJet	500 [312]	04	1.3	55	200707	201212	Injector, CR System	0 445 110 183	CRI2-16	200707	201212	DBJ	19,867.00
	500 1.3 MultiJet	500 [312]	04	1.3	55	200707	201212	Fuel Rail, CR System	0 445 214 086	CR / V4 / 10-12S	200707	200903	-	8,856.00
	500 1.3 MultiJet	500 [312]	04	1.3	55	200707	201212	Fuel Rail, CR System	0 445 214 194	CR / V4 / 10-2S	200904	201212	-	9,822.00
	Linea 1.2 TD	Linea [110]	04	1.3	67	201004	201903	High-Pressure Pump, CR System	0 445 010 293	CR / CP1H3 / R70 / 10-89S	201004	201903	-	61,498.00
	Linea 1.2 TD	Linea [110]	04	1.3	67	201004	201903	Injector, CR System	0 445 110 331	CRI2-16	201004	201903	DBJ	14,103.00
	Linea 1.2 TD	Linea [110]	04	1.3	67	201004	201903	Fuel Rail, CR System	0 445 214 141	CR / V4 / 10-2S	201004	201903	MES	12,116.00
	Palio 1.3 d 16V	Palio [178]	04	1.3	56	200803	201903	High-Pressure Pump, CR System	0 445 010 276	CR / CP1K3 / R55 / 10-S	200803	201903	-	52,669.00
	Punto Evo 1.3 MultiJet	Punto Evo [199]	04	1.3	66	200910	201112	High-Pressure Pump, CR System	0 445 010 310	CR / CP1H3 / R70 / 10-89S	200910	201112	-	61,341.00
	Punto Evo 1.3 MultiJet	Punto Evo [199]	04	1.3	66	200910	201112	Injector, CR System	0 445 110 351	CRI2-16 M2	200910	201112	DBJ	24,401.00
	Punto Evo 1.3 MultiJet	Punto Evo [199]	04	1.3	66	200910	201112	Fuel Rail, CR System	0 445 214 239	HFR; CR / V4 / 10-23S	200910	201112	-	-
	Punto Evo 1.3 MultiJet	Punto Evo [199]	04	1.3	66	201005	201112	High-Pressure Pump, CR System	0 445 010 310	CR / CP1H3 / R70 / 10-89S	201005	201112	-	61,341.00
	Punto Evo 1.3 MultiJet	Punto Evo [199]	04	1.3	66	201005	201112	Injector, CR System	0 445 110 351	CRI2-16 M2	201005	201112	DBJ	24,401.00
	Punto Evo 1.3 MultiJet	Punto Evo [199]	04	1.3	66	201005	201112	Fuel Rail, CR System	0 445 214 239	HFR; CR / V4 / 10-23S	201005	201112	-	-
Ford														
	Endeavour 3.0 Turbo intercooled 4WD	Endeavour	04	3.0	105	200709	201903	High-Pressure Pump, CR System	0 445 010 213	CR / CP3S3 / L90 / 20-78911S	200802	201903	-	73,968.00
	Endeavour 3.0 Turbo intercooled 4WD	Endeavour	04	3.0	105	200709	201903	Injector, CR System	0 445 110 249	CRI2.1 (1600 Bar)	200709	201903	DBN	-
	Endeavour 3.0 Turbo intercooled 4WD	Endeavour	04	3.0	105	200709	201903	Fuel Rail, CR System	0 445 214 076	CR / V4 / 10-23S	200709	201903	-	7,194.00
	Fiesta 1.5 TurboDiesel	Fiesta	04	1.5	50	201106	201903	High-Pressure Pump, CR System	0 445 010 548	CR / CP4S1 / R30 / 20	201106	201903	DBJ	68,094.00
	Fiesta 1.5 TurboDiesel	Fiesta	04	1.5	50	201106	201903	Injector, CR System	0 445 110 488	CRI2-16	201106	201903	DBJ	20,716.00
	EcoSport 1.5 TD	EcoSport [B515]	04	1.5	67	201306	999999	Injector, CR System	0 445 110 488	CRI2-16	-	-	-	20,716.00
	EcoSport 1.5 TD	EcoSport [B515]	04	1.5	67	201306	999999	High-Pressure Pump, CR System	0 445 010 548	CR / CP4S1 / R30 / 20	-	-	-	68,094.00
	EcoSport 1.5 TD	EcoSport [B515]	04	1.5	67	201601	999999	Injector, CR System	0 445 110 488	CRI2-16	-	-	-	20,716.00
	EcoSport 1.5 TD	EcoSport [B515]	04	1.5	67	201601	999999	High-Pressure Pump, CR System	0 445 010 548	CR / CP4S1 / R30 / 20	-	-	-	68,094.00



								Product		Type				MRP (₹)
Honda														
Amaze 1.5	Amaze	04	1.5	73	201304	201903		High-Pressure Pump, CR System	0 445 010 786	CR / CP4S1 / R40 / 20	201304	201903	-	73,675.00
Amaze 1.5	Amaze	04	1.5	73	201304	201903		Injector, CR System	0 445 110 547	CR12-16	201304	201903	DBN	9,912.00
Amaze 1.5	Amaze	04	1.5	73	201304	201903		Fuel Rail, CR System	0 445 214 303	HFR; CR / V4 / 10-23S	201304	201903	-	10,733.00
City 1.5	City [2CT]	04	1.5	74	201312	201903		High-Pressure Pump, CR System	0 445 010 786	CR / CP4S1 / R40 / 20	201312	201903	-	73,675.00
City 1.5	City [2CT]	04	1.5	74	201312	201903		Injector, CR System	0 445 110 547	CR12-16	201312	201903	DBN	9,912.00
City 1.5	City [2CT]	04	1.5	74	201312	201903		Fuel Rail, CR System	0 445 214 303	HFR; CR / V4 / 10-23S	201312	201903	-	10,733.00
Mobilio 1.5 TD	Mobilio [2NH]	04	1.5	74	201407	201903		High-Pressure Pump, CR System	0 445 010 786	CR / CP4S1 / R40 / 20	201407	201903	-	73,675.00
Mobilio 1.5 TD	Mobilio [2NH]	04	1.5	74	201407	201903		Injector, CR System	0 445 110 547	CR12-16	201407	201903	DBN	9,912.00
Mobilio 1.5 TD	Mobilio [2NH]	04	1.5	74	201407	201903		Fuel Rail, CR System	0 445 214 303	HFR; CR / V4 / 10-23S	201407	201903	-	10,733.00
Jazz 1.5 TD	Jazz [2TF]	04	1.5	66	201506	999999		High-Pressure Pump, CR System	0 445 010 786	CR / CP4S1 / R40 / 20	-	-	-	73,675.00
Jazz 1.5 TD	Jazz [2TF]	04	1.5	66	201506	999999		Injector, CR System	0 445 110 547	CR12-16	-	-	-	9,912.00
Jazz 1.5 TD	Jazz [2TF]	04	1.5	66	201506	999999		Fuel Rail, CR System	0 445 214 303	HFR; CR / V4 / 10-23S	-	-	-	10,733.00
WR-V 1.5 TD	WR-V	04	1.5	74	201703	999999		High-Pressure Pump, CR System	0 445 010 786	CR / CP4S1 / R40 / 20	-	-	-	73,675.00
WR-V 1.5 TD	WR-V	04	1.5	74	201703	999999		Injector, CR System	0 445 110 547	CR12-16	-	-	-	9,912.00
WR-V 1.5 TD	WR-V	04	1.5	74	201703	999999		Fuel Rail, CR System	0 445 214 303	HFR; CR / V4 / 10-23S	-	-	-	10,733.00
Hyundai														
Accent 1.5 CRDi	Accent [LC]	03	1.5	66	200201	200606		High-Pressure Pump, CR System	0 445 010 280	CR / CP1K3 / R60 / 10-S	200201	200606	-	-
Accent 1.5 CRDi	Accent [LC]	03	1.5	66	200201	200606		High-Pressure Pump, CR System	0 445 010 290	CR / CP1H3 / R75 / 10-789S	200201	200606	-	45,625.00
Accent 1.5 CRDi	Accent [LC]	03	1.5	66	200201	200606		Injector, CR System	0 445 110 101	CR11-13	200201	200606	KKADBJ	16,556.00
Accent 1.5 CRDi	Accent [LC]	03	1.5	66	200201	200606		Injector, CR System	0 445 110 101	CR11-13	200201	200606	KKYDBJ	16,556.00
Accent 1.5 CRDi	Accent [LC]	03	1.5	66	200201	200606		Fuel Rail, CR System	0 445 213 006	CR / V3 / 10-12S	200201	200606	-	-
Elantra 2.0 CRDi	Elantra	04	2.0	96	200404	200812		High-Pressure Pump, CR System	0 445 010 279	CR / CP1K3 / R70 / 10-S	200404	200812	-	33,570.00
Elantra 2.0 CRDi	Elantra	04	2.0	96	200404	200812		Injector, CR System	0 445 110 255	CR12-16	200404	200812	DBJ	16,798.00
Santa Fe 2.2 CRDi 4x4	Santa Fe [CM]	04	2.2	110	200603	200911		High-Pressure Pump, CR System	0 445 010 342	CR / CP3S3 / R110 / 30-89S	200603	200911	-	46,998.00
Santa Fe 2.2 CRDi 4x4	Santa Fe [CM]	04	2.2	110	200603	200911		Injector, CR System	0 445 110 253	CR12-16	200603	200911	DBJ	18,979.00
Santa Fe 2.2 CRDi 4x4	Santa Fe [CM]	04	2.2	110	200603	200911		Fuel Rail, CR System	0 445 214 084	CR / V4 / 10-12S	200603	200911	-	39,212.00
Santa Fe 2.2 CRDi	Santa Fe [CM]	04	2.2	110	200603	200911		High-Pressure Pump, CR System	0 445 010 342	CR / CP3S3 / R110 / 30-89S	200603	200911	-	46,998.00
Santa Fe 2.2 CRDi	Santa Fe [CM]	04	2.2	110	200603	200911		Injector, CR System	0 445 110 253	CR12-16	200603	200911	DBJ	18,979.00
Santa Fe 2.2 CRDi	Santa Fe [CM]	04	2.2	110	200603	200911		Fuel Rail, CR System	0 445 214 084	CR / V4 / 10-12S	200603	200911	-	39,212.00
Sonata 2.0 CRDi	Sonata [NF]	04	2.0	106	200701	201112		High-Pressure Pump, CR System	0 445 010 342	CR / CP3S3 / R110 / 30-89S	200701	201112	-	46,998.00
Sonata 2.0 CRDi	Sonata [NF]	04	2.0	106	200701	201112		Injector, CR System	0 445 116 017	CR13-18	200701	201112	DBJ	25,662.00
Sonata 2.0 CRDi	Sonata [NF]	04	2.0	106	200701	201112		Fuel Rail, CR System	0 445 214 084	CR / V4 / 10-12S	200701	201112	-	39,212.00
Accent 1.5 CRDi	Accent	03	1.5	69	200402	201903		Injector, CR System	0 445 110 101	CR11-13	200402	201903	DBJ	16,556.00
Getz 1.5 CRDi 16V	Getz	04	1.5	81	200709	201002		High-Pressure Pump, CR System	0 445 010 290	CR / CP1H3 / R75 / 10-789S	200709	201002	-	45,625.00
Verna 1.5 CRDi	Verna	04	1.5	71	200509	201105		Injector, CR System	0 445 110 255	CR12-16	200509	201105	DBJ	16,798.00
Verna 1.5 CRDi	Verna	04	1.5	71	200509	201105		Fuel Rail, CR System	0 445 214 110	CR / V4 / 10-12S	200509	200806	-	20,404.00
Verna 1.5 CRDi	Verna	04	1.5	71	200509	201105		Fuel Rail, CR System	0 445 214 180	CR / V4 / 10-2S	200807	201105	-	26,301.00
i20 1.4 CRDi	i20 [PB, PBT]	04	1.4	66	200908	201412		High-Pressure Pump, CR System	0 445 010 290	CR / CP1H3 / R75 / 10-789S	200908	201412	EU4	45,625.00
i20 1.4 CRDi	i20 [PB, PBT]	04	1.4	66	200908	201412		Injector, CR System	0 445 110 319	CR12-16	200908	201412	EU4DBJ	17,906.00
i20 1.4 CRDi	i20 [PB, PBT]	04	1.4	66	200908	201412		Fuel Rail, CR System	0 445 214 180	CR / V4 / 10-2S	200908	201412	EU4	26,301.00
Santa Fe 2.2 CRDi	Santa Fe [DM]	04	2.2	145	201209	201903		High-Pressure Pump, CR System	0 445 010 544	CR / CP4S1 / R40 / 20	201209	201504	-	58,774.00
Santa Fe 2.2 CRDi	Santa Fe [DM]	04	2.2	145	201209	201903		High-Pressure Pump, CR System	0 445 010 740	CR / CP4S1 / R40 / 20	201505	201903	-	72,175.00
Santa Fe 2.2 CRDi	Santa Fe [DM]	04	2.2	145	201209	201903		Injector, CR System	0 445 110 583	CR12-20	201505	201903	DBJ	-
Santa Fe 2.2 CRDi	Santa Fe [DM]	04	2.2	145	201209	201903		Injector, CR System	0 445 116 017	CR13-18	201209	201504	DBJ	25,662.00
Santa Fe 2.2 CRDi	Santa Fe [DM]	04	2.2	145	201209	201903		Fuel Rail, CR System	0 445 214 210	CR / V4 / 10-12 S	201209	201504	-	37,112.00
Santa Fe 2.2 CRDi	Santa Fe [DM]	04	2.2	145	201209	201903		Fuel Rail, CR System	0 445 214 320	HFR (H); CR / V4 / 10-12 S	201505	201903	-	5,062.00
Santa Fe 2.2 CRDi 4WD	Santa Fe [DM]	04	2.2	145	201209	201903		High-Pressure Pump, CR System	0 445 010 544	CR / CP4S1 / R40 / 20	201209	201504	-	58,774.00
Santa Fe 2.2 CRDi 4WD	Santa Fe [DM]	04	2.2	145	201209	201903		High-Pressure Pump, CR System	0 445 010 740	CR / CP4S1 / R40 / 20	201505	201903	-	72,175.00
Santa Fe 2.2 CRDi 4WD	Santa Fe [DM]	04	2.2	145	201209	201903		Injector, CR System	0 445 110 583	CR12-20	201505	201903	DBJ	-
Santa Fe 2.2 CRDi 4WD	Santa Fe [DM]	04	2.2	145	201209	201903		Injector, CR System	0 445 116 017	CR13-18	201209	201504	DBJ	25,662.00



								Product		Type				MRP (₹)
Hyundai														
	Santa Fe 2.2 CRDi 4WD	Santa Fe [DM]	04	2.2	145	201209	201903	Fuel Rail, CR System	0 445 214 210	CR / V4 / 10-12 S	201209	201504	-	37,112.00
	Santa Fe 2.2 CRDi 4WD	Santa Fe [DM]	04	2.2	145	201209	201903	Fuel Rail, CR System	0 445 214 320	HFR (H); CR / V4 / 10-12 S	201505	201903	-	5,062.00
Isuzu	Elantra 1.6 CRDi	Elantra [MD,UD]	04	1.6	94	201401	201511	High-Pressure Pump, CR System	0 445 010 290	CR / CP1H3 / R75 / 10-789S	201401	201511	-	45,625.00
	Elantra 1.6 CRDi	Elantra [MD,UD]	04	1.6	94	201401	201511	Injector, CR System	0 445 110 319	CRI2-16	201401	201511	DBJ	17,906.00
	Elantra 1.6 CRDi	Elantra [MD,UD]	04	1.6	94	201401	201511	Fuel Rail, CR System	0 445 214 180	CR / V4 / 10-2S	201401	201511	-	26,301.00
	i20 1.4	i20 [GB]	04	1.4	66	201411	201903	High-Pressure Pump, CR System	0 445 010 595	CR / CP4S1 / R57 / 20	201411	201903	-	-
	i20 1.4	i20 [GB]	04	1.4	66	201411	201903	Injector, CR System	0 445 110 586	CRI2-20	201411	201903	DBJ	28,016.00
	i20 1.4	i20 [GB]	04	1.4	66	201411	201903	Fuel Rail, CR System	0 445 214 322	HFR (H); CR / V4 / 10-12 S	201411	201903	-	5,062.00
Jaguar	i20 1.4 CRDi Active	i20 [GB] Active	04	1.4	66	201601	201903	High-Pressure Pump, CR System	0 445 010 595	CR / CP4S1 / R57 / 20	201601	201903	-	-
	i20 1.4 CRDi Active	i20 [GB] Active	04	1.4	66	201601	201903	Injector, CR System	0 445 110 586	CRI2-20	201601	201903	DBJ	28,016.00
	i20 1.4 CRDi Active	i20 [GB] Active	04	1.4	66	201601	201903	Fuel Rail, CR System	0 445 214 322	HFR (H); CR / V4 / 10-12 S	201601	201903	-	5,062.00
Isuzu														
	D-Max 2.5 Diesel Turbo	D-Max	04	2.5	88	200701	999999	High-Pressure Pump, CR System	0 445 025 058	CR / CB18 S / R 100 / 20-789V	-	-	-	46,556.00
	D-Max 2.5 Diesel Turbo	D-Max	04	2.5	88	200701	999999	Injector, CR System	0 445 110 748	CRI2-16	-	-	-	9,262.00
	D-Max 2.5 Diesel Turbo	D-Max	04	2.5	88	200701	999999	Fuel Rail, CR System	0 445 214 356	HFR; CR / V4 / 10-2S	-	-	-	-
Jaguar														
Jeep	XF 3.0 D V6S	XF [X250]	06	3.0	175	200903	201510	High-Pressure Pump, CR System	0 445 010 662	CR / CP4S2 / L75 / 40	200903	201510	-	-
	XF 3.0 D V6S	XF [X250]	06	3.0	175	200903	201510	Injector, CR System	0 445 116 012	CRI3-18	200903	201510	DBJ	-
	XF 3.0 D V6S	XF [X250]	06	3.0	175	200903	201510	Fuel Rail, CR System	0 445 216 045	CR / V6 / 10-1S	200903	201510	LAB	16,908.00
	XF 3.0 D V6S	XF [X250]	06	3.0	175	200903	201510	Fuel Rail, CR System	0 445 216 047	CR / V6 / 10-2S	200903	201510	RAB	11,753.00
	XJ 3.0 D V6	XJ [X351]	06	3.0	202	201008	201507	DNOX Dosing Module	0 444 021 049	DNOX DM3 PC	201008	201507	-	-
	XJ 3.0 D V6	XJ [X351]	06	3.0	202	201008	201507	High-Pressure Pump, CR System	0 445 010 662	CR / CP4S2 / L75 / 40	201008	201507	-	-
	XJ 3.0 D V6	XJ [X351]	06	3.0	202	201008	201507	High-Pressure Pump, CR System	0 445 010 697	CR / CP4HS2 / L86 / 40	201008	201507	-	-
	XJ 3.0 D V6	XJ [X351]	06	3.0	202	201008	201507	Injector, CR System	0 445 116 012	CRI3-18	201008	201507	DBJ	-
	XJ 3.0 D V6	XJ [X351]	06	3.0	202	201008	201507	Fuel Rail, CR System	0 445 216 045	CR / V6 / 10-1S	201008	201507	LAB	16,908.00
	XJ 3.0 D V6	XJ [X351]	06	3.0	202	201008	201507	Fuel Rail, CR System	0 445 216 047	CR / V6 / 10-2S	201008	201507	RAB	11,753.00
	XF 2.2 D	XF [X250]	04	2.2	175	201109	201510	High-Pressure Pump, CR System	0 445 010 298	CR / CP1H3 / R85 / 10-789S	201109	201510	-	-
	XF 2.2 D	XF [X250]	04	2.2	175	201109	201510	Injector, CR System	0 445 115 088	CRI3-16	201109	201510	DBJ	-
	XF 2.2 D	XF [X250]	04	2.2	175	201109	201510	Injector, CR System	0 445 116 070	CRI3-18	201109	201510	LETDBJ	27,695.00
	XF 2.2 D	XF [X250]	04	2.2	175	201109	201510	Injector, CR System	0 445 116 073	CRI3.1 (1,800 Bar Boost)	201109	201510	ERLDBJ	-
	XE 20d	XE	04	2.0	132	201506	201903	DNOX Dosing Module	0 444 021 049	DNOX DM3 PC	201506	201903	-	-
	XE 20d	XE	04	2.0	132	201506	201903	High-Pressure Pump, CR System	0 445 010 771	CR / CP4S1 / L46 / 20	201506	201903	-	-
	XE 20d	XE	04	2.0	132	201506	201903	Injector, CR System	0 445 110 653	CRI2-18	201506	201903	DBJ	-
	XE 20d	XE	04	2.0	132	201506	201903	Fuel Rail, CR System	0 445 214 331	HFR (H);CR / V4 / 10-12S	201506	201903	-	-
	XE 20d	XE	04	2.0	132	201506	201903	Fuel Rail, CR System	0 445 214 331	HFR (H);CR / V4 / 10-12S	201609	201808	-	-
	F-Pace 2.0 D AWD	F-Pace [X761]	04	2.0	132	201604	201903	DNOX Dosing Module	0 444 021 049	DNOX DM3 PC	201604	201903	-	-
	F-Pace 2.0 D AWD	F-Pace [X761]	04	2.0	132	201604	201903	High-Pressure Pump, CR System	0 445 010 771	CR / CP4S1 / L46 / 20	201604	201903	-	-
	F-Pace 2.0 D AWD	F-Pace [X761]	04	2.0	132	201604	201903	Injector, CR System	0 445 110 653	CRI2-18	201604	201903	DBJ	-
	F-Pace 2.0 D AWD	F-Pace [X761]	04	2.0	132	201604	201903	Fuel Rail, CR System	0 445 214 331	HFR (H);CR / V4 / 10-12S	201604	201903	-	-
	F-Pace 2.0 D AWD	F-Pace [X761]	04	2.0	132	201604	201903	Fuel Rail, CR System	0 445 214 331	HFR (H);CR / V4 / 10-12S	201609	201808	-	-
	XF Sportbrake 20d	XF Sportbrake [X260]	04	2.0	132	201707	201903	DNOX Dosing Module	0 444 021 049	DNOX DM3 PC	201707	201903	-	-
	XF Sportbrake 20d	XF Sportbrake [X260]	04	2.0	132	201707	201903	High-Pressure Pump, CR System	0 445 010 771	CR / CP4S1 / L46 / 20	201707	201903	-	-
	XF Sportbrake 20d	XF Sportbrake [X260]	04	2.0	132	201707	201903	Injector, CR System	0 445 110 653	CRI2-18	201707	201903	DBJ	-
XF Sportbrake 20d	XF Sportbrake [X260]	04	2.0	132	201707	201903	Fuel Rail, CR System	0 445 214 331	HFR (H);CR / V4 / 10-12S	201707	201903	-	-	
Jeep														
	Wrangler 2.8 CRD	Wrangler [JK]	04	2.8	130	200701	201808	High-Pressure Pump, CR System	0 445 010 152	CR / CP3S3 / R90 / 20-89S	200701	200712	-	-

Jeep		Land Rover Group					Product		Type		Fitment Date		MRP (₹)	
Model	Type	Cyl.	l/ccm	kW	200701	201808	Product	Type	Fitment Date	Fitment Date	MRP (₹)	MRP (₹)		
Wrangler 2.8 CRD	Wrangler [JK]	04	2.8	130	200701	201808	Injector, CR System	0 445 115 067	CRI3-16	200701	201012	DBJ	-	
Grand Cherokee 3.0 CRDi 4x4	Grand Cherokee [WK2]	06	3.0	213	201304	201903	High-Pressure Pump, CR System	0 445 010 684	CR / CP4HS2 / R80 / 8914-S	201304	201903	-	-	
Grand Cherokee 3.0 CRDi 4x4	Grand Cherokee [WK2]	06	3.0	213	201304	201903	Injector, CR System	0 445 110 522	CRI2-20	201401	201903	DBJ	-	
Land Rover Group														
Freelander 2.0 TD4 AWD	Freelander [LN]	04	2.0	84	200109	200610	High-Pressure Pump, CR System	0 445 010 011	CR / CP1S3 / R55 / 10-1S	200109	200610	-	-	
Freelander 2.0 TD4 AWD	Freelander [LN]	04	2.0	84	200109	200610	Injector, CR System	0 445 110 049	CRI1-13	200109	200610	GSDBJ	-	
Freelander 2.0 TD4 AWD	Freelander [LN]	04	2.0	84	200109	200610	Injector, CR System	0 445 110 049	CRI1-13	200109	200610	DBJ	-	
Freelander 2.0 TD4 AWD	Freelander [LN]	04	2.0	84	200109	200610	Injector, CR System	0 445 110 130	CRI1-13	200109	200610	AGDBJ	-	
Freelander 2.0 TD4 AWD	Freelander [LN]	04	2.0	84	200109	200610	Fuel Rail, CR System	0 445 214 011	CR / V4 / 10-2S	200109	200610	-	-	
Freelander 2 TD4 AWD	Freelander 2 [LF]	04	2.2	110	200610	201411	High-Pressure Pump, CR System	0 445 010 367	CR / CP1H3 / R85 / 10-789S	200610	201411	-	67,140.00	
Freelander 2 TD4 AWD	Freelander 2 [LF]	04	2.2	110	200610	201411	Injector, CR System	0 445 115 091	CRI3-16	200610	201411	DBB	-	
Freelander 2 TD4 AWD	Freelander 2 [LF]	04	2.2	110	200610	201411	Injector, CR System	0 445 116 073	CRI3.1 (1,800 Bar Boost)	200610	201411	DBJ	-	
Discovery IV 3.0 SDV6 AWD	Discovery IV [LA]	06	3.0	180	201009	201903	DNOX Dosing Module	0 444 021 053	DNOX DM3 PC	201009	201903	EU6	-	
Discovery IV 3.0 SDV6 AWD	Discovery IV [LA]	06	3.0	180	201009	201903	High-Pressure Pump, CR System	0 445 010 662	CR / CP4S2 / L75 / 40	201009	201903	-	-	
Discovery IV 3.0 SDV6 AWD	Discovery IV [LA]	06	3.0	180	201009	201903	High-Pressure Pump, CR System	0 445 010 820	CR / CP4HS2 / L86 / 40	201009	201903	ERL	-	
Discovery IV 3.0 SDV6 AWD	Discovery IV [LA]	06	3.0	180	201009	201903	High-Pressure Pump, CR System	0 445 010 832	CR / CP4S2 / L75 / 40	201009	201903	LET	84,953.00	
Discovery IV 3.0 SDV6 AWD	Discovery IV [LA]	06	3.0	180	201009	201903	Injector, CR System	0 445 116 066	CRI3-18	201009	201903	LENDJ	27,695.00	
Discovery IV 3.0 SDV6 AWD	Discovery IV [LA]	06	3.0	180	201009	201903	Injector, CR System	0 445 117 052	CRI3-20	201009	201903	ERLDBJ	28,534.00	
Discovery IV 3.0 SDV6 AWD	Discovery IV [LA]	06	3.0	180	201009	201903	Fuel Rail, CR System	0 445 216 045	CR / V6 / 10-1S	201009	201903	LAB	16,908.00	
Discovery IV 3.0 SDV6 AWD	Discovery IV [LA]	06	3.0	180	201009	201903	Fuel Rail, CR System	0 445 216 047	CR / V6 / 10-2S	201009	201903	RAB	11,753.00	
Range Rover III 4.4 TDV8 AWD	Range Rover III [LM,L322]	08	4.4	210	201009	201301	High-Pressure Pump, CR System	0 445 010 666	CR / CP4HS2 / R80 / 40	201009	201301	-	84,953.00	
Range Rover III 4.4 TDV8 AWD	Range Rover III [LM,L322]	08	4.4	210	201009	201301	Injector, CR System	0 445 116 074	CRI3-18	201009	201301	DBJ	-	
Range Rover III 4.4 TDV8 AWD	Range Rover III [LM,L322]	08	4.4	210	201009	201301	Fuel Rail, CR System	0 445 218 019	CR / V8 / 10-23S	201009	201301	LAB	9,540.00	
Range Rover III 4.4 TDV8 AWD	Range Rover III [LM,L322]	08	4.4	210	201009	201301	Fuel Rail, CR System	0 445 218 022	CR / V4 / 10-23S	201009	201301	RAB	-	
Freelander 2 SD4 AWD	Freelander 2 [LF]	04	2.2	110	201009	201411	High-Pressure Pump, CR System	0 445 010 367	CR / CP1H3 / R85 / 10-789S	201009	201411	-	67,140.00	
Freelander 2 SD4 AWD	Freelander 2 [LF]	04	2.2	110	201009	201411	Injector, CR System	0 445 115 091	CRI3-16	201009	201411	DBB	-	
Freelander 2 SD4 AWD	Freelander 2 [LF]	04	2.2	110	201009	201411	Injector, CR System	0 445 116 073	CRI3.1 (1,800 Bar Boost)	201009	201411	DBJ	-	
Range Rover Evoque 2.2 SD4 AWD	Range Rover Evoque [L538]	04	2.2	110	201109	201508	High-Pressure Pump, CR System	0 445 010 298	CR / CP1H3 / R85 / 10-789S	201109	201508	-	-	
Range Rover Evoque 2.2 SD4 AWD	Range Rover Evoque [L538]	04	2.2	110	201109	201508	Injector, CR System	0 445 116 073	CRI3.1 (1,800 Bar Boost)	201109	201508	DBJ	-	
Range Rover IV 4.4 SD AWD	Range Rover IV [LG,L405]	08	4.4	250	201401	201903	DNOX Dosing Module	0 444 021 042	DNOX DM3 PC	201401	201903	-	-	
Range Rover IV 4.4 SD AWD	Range Rover IV [LG,L405]	08	4.4	250	201401	201903	High-Pressure Pump, CR System	0 445 010 666	CR / CP4HS2 / R80 / 40	201401	201903	-	84,953.00	
Range Rover IV 4.4 SD AWD	Range Rover IV [LG,L405]	08	4.4	250	201401	201903	Injector, CR System	0 445 116 074	CRI3-18	201401	201903	DBJ	-	
Range Rover IV 4.4 SD AWD	Range Rover IV [LG,L405]	08	4.4	250	201401	201903	Fuel Rail, CR System	0 445 218 019	CR / V8 / 10-23S	201401	201903	LAB	9,540.00	
Range Rover IV 4.4 SD AWD	Range Rover IV [LG,L405]	08	4.4	250	201401	201903	Fuel Rail, CR System	0 445 218 022	CR / V4 / 10-23S	201401	201903	RAB	-	
Range Rover IV 3.0 TD AWD	Range Rover IV [LG,L405]	06	3.0	250	201302	201903	DNOX Dosing Module	0 444 021 042	DNOX DM3 PC	201302	201903	-	-	
Range Rover IV 3.0 TD AWD	Range Rover IV [LG,L405]	06	3.0	250	201302	201903	High-Pressure Pump, CR System	0 445 010 832	CR / CP4S2 / L75 / 40	201302	201903	-	84,953.00	
Range Rover IV 3.0 TD AWD	Range Rover IV [LG,L405]	06	3.0	250	201302	201903	Injector, CR System	0 445 116 064	CRI3-18	201302	201903	LETDBJ	-	
Range Rover IV 3.0 TD AWD	Range Rover IV [LG,L405]	06	3.0	250	201302	201903	Injector, CR System	0 445 117 052	CRI3-20	201302	201903	ERLDBJ	28,534.00	



							Product		Type				MRP (₹)
Land Rover Group													
Range Rover IV 3.0 TD AWD	Range Rover IV [LG,L405]	06	3.0	250	201302	201903	Fuel Rail, CR System	0 445 216 045	CR / V6 / 10-1S	201302	201903	LAB	16,908.00
Range Rover Sport 3.0 SD AWD	Range Rover Sport [LS,L320]	06	3.0	200	201106	201308	High-Pressure Pump, CR System	0 445 010 662	CR / CP4S2 / L75 / 40	201106	201308	-	-
Range Rover Sport 3.0 SD AWD	Range Rover Sport [LS,L320]	06	3.0	200	201106	201308	Injector, CR System	0 445 116 012	CRI3-18	201106	201308	DBJ	-
Range Rover Sport 3.0 SD AWD	Range Rover Sport [LS,L320]	06	3.0	200	201106	201308	Fuel Rail, CR System	0 445 216 045	CR / V6 / 10-1S	201106	201308	LAB	16,908.00
Range Rover Sport 3.0 SD AWD	Range Rover Sport [LS,L320]	06	3.0	200	201106	201308	Fuel Rail, CR System	0 445 216 047	CR / V6 / 10-2S	201106	201308	RAB	11,753.00
Range Rover Sport 3.0 TDV6 AWD	Range Rover Sport [LW,L494]	06	3.0	183	201309	201903	DNOX Dosing Module	0 444 021 042	DNOX DM3 PC	201309	201903	-	-
Range Rover Sport 3.0 TDV6 AWD	Range Rover Sport [LW,L494]	06	3.0	183	201309	201903	High-Pressure Pump, CR System	0 445 010 820	CR / CP4HS2 / L86 / 40	201309	201903	-	-
Range Rover Sport 3.0 TDV6 AWD	Range Rover Sport [LW,L494]	06	3.0	183	201309	201903	Injector, CR System	0 445 116 064	CRI3-18	201309	201903	DBJ	-
Range Rover Sport 3.0 TDV6 AWD	Range Rover Sport [LW,L494]	06	3.0	183	201309	201903	Fuel Rail, CR System	0 445 216 045	CR / V6 / 10-1S	201309	201903	LAB	16,908.00
Range Rover Sport 3.0 TDV6 AWD	Range Rover Sport [LW,L494]	06	3.0	183	201309	201903	Fuel Rail, CR System	0 445 216 047	CR / V6 / 10-2S	201309	201903	RAB	11,753.00
Range Rover Sport 3.0 SDV6 AWD	Range Rover Sport [LW,L494]	06	3.0	183	201309	201903	DNOX Dosing Module	0 444 021 042	DNOX DM3 PC	201309	201903	-	-
Range Rover Sport 3.0 SDV6 AWD	Range Rover Sport [LW,L494]	06	3.0	183	201309	201903	High-Pressure Pump, CR System	0 445 010 832	CR / CP4S2 / L75 / 40	201309	201903	-	84,953.00
Range Rover Sport 3.0 SDV6 AWD	Range Rover Sport [LW,L494]	06	3.0	183	201309	201903	Injector, CR System	0 445 117 052	CRI3-20	201309	201903	DBJ	28,534.00
Range Rover Sport 3.0 SDV6 AWD	Range Rover Sport [LW,L494]	06	3.0	183	201309	201903	Fuel Rail, CR System	0 445 216 045	CR / V6 / 10-1S	201309	201903	LAB	16,908.00
Range Rover Sport 3.0 SDV6 AWD	Range Rover Sport [LW,L494]	06	3.0	183	201309	201903	Fuel Rail, CR System	0 445 216 047	CR / V6 / 10-2S	201309	201903	RAB	11,753.00
Discovery Sport TD4	Discovery Sport [B5,L550]	04	2.2	110	201409	201903	High-Pressure Pump, CR System	0 445 010 298	CR / CP1H3 / R85 / 10-789S	201409	201903	-	-
Discovery Sport TD4	Discovery Sport [B5,L550]	04	2.2	110	201409	201903	Injector, CR System	0 445 116 073	CRI3.1 (1,800 Bar Boost)	201409	201903	TWDBJ	-
Discovery Sport TD4	Discovery Sport [B5,L550]	04	2.2	110	201409	201903	Injector, CR System	0 445 116 070	CRI3-18	201409	201903	TWDBJ	27,695.00
Discovery Sport SD4 AWD	Discovery Sport [B5,L550]	04	2.2	110	201409	201708	High-Pressure Pump, CR System	0 445 010 298	CR / CP1H3 / R85 / 10-789S	201409	201708	-	-
Discovery Sport SD4 AWD	Discovery Sport [B5,L550]	04	2.2	110	201409	201708	Injector, CR System	0 445 116 073	CRI3.1 (1,800 Bar Boost)	201409	201708	TWDBJ	-
Discovery Sport SD4 AWD	Discovery Sport [B5,L550]	04	2.2	110	201409	201708	Injector, CR System	0 445 116 070	CRI3-18	201409	201708	TWDBJ	27,695.00
Discovery Sport 2.0 TD4 AWD	Discovery Sport [B5,L550]	04	2.0	110	201509	201903	High-Pressure Pump, CR System	0 445 010 771	CR / CP4S1 / L46 / 20	201509	201903	-	-
Discovery Sport 2.0 TD4 AWD	Discovery Sport [B5,L550]	04	2.0	110	201509	201903	Injector, CR System	0 445 110 653	CRI2-18	201509	201903	DBJ	-
Discovery Sport 2.0 TD4 AWD	Discovery Sport [B5,L550]	04	2.0	110	201509	201903	Fuel Rail, CR System	0 445 214 331	HFR (H); CR / V4 / 10-12S	201509	201903	-	-
Range Rover IV 3.0 TD AWD	Range Rover IV [LG,L405]	06	3.0	250	201310	201903	DNOX Dosing Module	0 444 021 042	DNOX DM3 PC	201310	201903	-	-
Range Rover IV 3.0 TD AWD	Range Rover IV [LG,L405]	06	3.0	250	201310	201903	High-Pressure Pump, CR System	0 445 010 697	CR / CP4HS2 / L86 / 40	201310	201903	-	-
Range Rover IV 3.0 TD AWD	Range Rover IV [LG,L405]	06	3.0	250	201310	201903	High-Pressure Pump, CR System	0 445 010 820	CR / CP4HS2 / L86 / 40	201310	201903	-	-
Range Rover IV 3.0 TD AWD	Range Rover IV [LG,L405]	06	3.0	250	201310	201903	Injector, CR System	0 445 117 052	CRI3-20	201310	201903	DBJ	28,534.00
Range Rover IV 3.0 TD AWD	Range Rover IV [LG,L405]	06	3.0	250	201310	201903	Fuel Rail, CR System	0 445 216 045	CR / V6 / 10-1S	201310	201903	LAB	16,908.00
Range Rover IV 3.0 TD AWD	Range Rover IV [LG,L405]	06	3.0	250	201310	201903	Fuel Rail, CR System	0 445 216 047	CR / V6 / 10-2S	201310	201903	RAB	11,753.00





Man

Man

Mercedes-Benz

Mercedes-Benz

							Product		Type				MRP (₹)
Man													
CLA 26.280	CLA 26 t	06	6.9	206	201307	999999	High-Pressure Pump, CR System	0 445 020 204	CR / CP3S3 / L110 / 30-789S	-	-	-	92,246.00
CLA 26.280	CLA 26 t	06	6.9	206	201307	999999	Fuel Rail, CR System	0 445 226 056	CR / V6 / 10-23S	-	-	-	11,560.00
CLA 26.280	CLA 26 t	06	6.9	206	201307	999999	Injector, CR System	0 445 120 314	CRIN2-16	-	-	-	34,768.00
CLA 20.280	CLA 20 t	06	6.9	206	201307	999999	High-Pressure Pump, CR System	0 445 020 204	CR / CP3S3 / L110 / 30-789S	-	-	-	92,246.00
CLA 20.280	CLA 20 t	06	6.9	206	201307	999999	Fuel Rail, CR System	0 445 226 056	CR / V6 / 10-23S	-	-	-	11,560.00
CLA 20.280	CLA 20 t	06	6.9	206	201307	999999	Injector, CR System	0 445 120 314	CRIN2-16	-	-	-	34,768.00
Mercedes-Benz													
E 220 CDI	E-Klasse [210]	04	2.1	55	199908	200203	High-Pressure Pump, CR System	0 445 010 268	CR / CP1K3 / L60 / 10-S	199908	200203	OAP	-
E 220 CDI	E-Klasse [210]	04	2.1	55	199908	200203	High-Pressure Pump, CR System	0 445 010 274	CR / CP1K3 / L60 / 10-S	199908	200203	RAP	63,942.00
E 220 CDI	E-Klasse [210]	04	2.1	55	199908	200203	Injector, CR System	0 445 110 011	CR11-13	199908	199908	DBB	18,075.00
E 220 CDI	E-Klasse [210]	04	2.1	55	199908	200203	Injector, CR System	0 445 110 024	CR11-13	199909	200203	DBB	20,695.00
E 220 CDI	E-Klasse [210]	04	2.1	55	199908	200203	Injector, CR System	0 445 110 199	CR11-13	199909	200203	GS / DBB	20,695.00
E 220 CDI	E-Klasse [210]	04	2.1	55	199908	200203	Injector, CR System	0 445 110 199	CR11-13	199909	200203	DBB	20,695.00
E 220 CDI	E-Klasse [210]	04	2.1	55	199908	200203	Injector, CR System	0 445 110 205	CR11-13	199909	200203	AG / DBB	20,125.00
E 220 CDI	E-Klasse [210]	04	2.1	55	199908	200203	Fuel Rail, CR System	0 445 214 063	CR / V4 / 10-12S	199908	200203	-	47,511.00
C 220 CDI	C-Klasse [203]	04	2.2	100	200005	200302	High-Pressure Pump, CR System	0 445 010 268	CR / CP1K3 / L60 / 10-S	200005	200302	OAP	-
C 220 CDI	C-Klasse [203]	04	2.2	100	200005	200302	High-Pressure Pump, CR System	0 445 010 274	CR / CP1K3 / L60 / 10-S	200005	200302	RAP	63,942.00
C 220 CDI	C-Klasse [203]	04	2.2	100	200005	200302	Injector, CR System	0 445 110 024	CR11-13	200005	200302	DBB	20,695.00
C 220 CDI	C-Klasse [203]	04	2.2	100	200005	200302	Injector, CR System	0 445 110 199	CR11-13	200005	200302	DBB	20,695.00
C 220 CDI	C-Klasse [203]	04	2.2	100	200005	200302	Injector, CR System	0 445 110 199	CR11-13	200005	200302	GS / DBB	20,695.00
C 220 CDI	C-Klasse [203]	04	2.2	100	200005	200302	Injector, CR System	0 445 110 205	CR11-13	200005	200302	AG / DBB	20,125.00
C 220 CDI	C-Klasse [203]	04	2.2	100	200005	200302	Fuel Rail, CR System	0 445 214 063	CR / V4 / 10-12S	200005	200302	-	47,511.00
C 200 CDI	C-Klasse [203]	04	2.2	100	200007	200306	High-Pressure Pump, CR System	0 445 010 268	CR / CP1K3 / L60 / 10-S	200007	200306	OAP	-
C 200 CDI	C-Klasse [203]	04	2.2	100	200007	200306	High-Pressure Pump, CR System	0 445 010 274	CR / CP1K3 / L60 / 10-S	200007	200306	RAP	63,942.00
C 200 CDI	C-Klasse [203]	04	2.2	100	200007	200306	Injector, CR System	0 445 110 024	CR11-13	200007	200306	DBB	20,695.00
C 200 CDI	C-Klasse [203]	04	2.2	100	200007	200306	Injector, CR System	0 445 110 199	CR11-13	200007	200306	DBB	20,695.00
C 200 CDI	C-Klasse [203]	04	2.2	100	200007	200306	Injector, CR System	0 445 110 205	CR11-13	200007	200306	AG / DBB	20,125.00
C 200 CDI	C-Klasse [203]	04	2.2	100	200007	200306	Fuel Rail, CR System	0 445 214 063	CR / V4 / 10-12S	200007	200306	-	47,511.00
E 220 CDI	E-Klasse [211]	04	2.1	110	200203	200603	High-Pressure Pump, CR System	0 445 010 143	CR / CP3S3 / L90 / 20-8911S	200203	200603	-	-
E 220 CDI	E-Klasse [211]	04	2.1	110	200203	200603	Injector, CR System	0 445 110 054	CR12.1 (1,600 Bar)	200203	200603	DBB	24,401.00
E 220 CDI	E-Klasse [211]	04	2.1	110	200203	200603	Injector, CR System	0 445 110 155	CR12.1 (1,600 Bar)	200203	200603	DBB	24,401.00
E 220 CDI	E-Klasse [211]	04	2.1	110	200203	200603	Injector, CR System	0 445 110 176	CR12.1 (1,600 Bar)	200203	200603	DBB	25,305.00
E 220 CDI	E-Klasse [211]	04	2.1	110	200203	200603	Fuel Rail, CR System	0 445 214 162	CR / V4 / 10-12S	200203	200603	MPR	21,690.00
E 270 CDI	E-Klasse [211]	05	2.7	110	200203	200503	High-Pressure Pump, CR System	0 445 010 143	CR / CP3S3 / L90 / 20-8911S	200203	200503	-	-
E 270 CDI	E-Klasse [211]	05	2.7	110	200203	200503	Injector, CR System	0 445 110 054	CR12.1 (1,600 Bar)	200203	200503	DBB	24,401.00
E 270 CDI	E-Klasse [211]	05	2.7	110	200203	200503	Injector, CR System	0 445 110 155	CR12.1 (1,600 Bar)	200203	200503	DBB	24,401.00
E 270 CDI	E-Klasse [211]	05	2.7	110	200203	200503	Injector, CR System	0 445 110 176	CR12.1 (1,600 Bar)	200203	200503	DBB	25,305.00
E 270 CDI	E-Klasse [211]	05	2.7	110	200203	200503	Fuel Rail, CR System	0 445 215 011	CR / V5 / 10-12S	200203	200503	-	-
E 280 CDI 4MATIC	E-Klasse [211]	06	3.0	110	200504	200903	High-Pressure Pump, CR System	0 445 010 145	CR / CP3S3 / L90 / 20-8911S	200504	200903	-	-
E 280 CDI 4MATIC	E-Klasse [211]	06	3.0	110	200504	200903	Injector, CR System	0 445 115 063	CR13-16	200504	200903	DBB	26,209.00
E 320 CDI 4MATIC	E-Klasse [211]	06	3.0	110	200504	200901	High-Pressure Pump, CR System	0 445 010 145	CR / CP3S3 / L90 / 20-8911S	200504	200901	-	-
E 320 CDI 4MATIC	E-Klasse [211]	06	3.0	110	200504	200901	Injector, CR System	0 445 115 063	CR13-16	200504	200901	DBB	26,209.00
CLS 320 CDI Coupe	CLS-Klasse [219]	06	3.0	155	200505	200904	High-Pressure Pump, CR System	0 445 010 135	CR / CP3S3 / L90 / 20-8911S	200505	200904	WAS	-
CLS 320 CDI Coupe	CLS-Klasse [219]	06	3.0	155	200505	200904	High-Pressure Pump, CR System	0 445 010 145	CR / CP3S3 / L90 / 20-8911S	200505	200904	OWA	-
CLS 320 CDI Coupe	CLS-Klasse [219]	06	3.0	155	200505	200904	Injector, CR System	0 445 115 059	CR13-16	200505	200904	DBB	-
CLS 320 CDI Coupe	CLS-Klasse [219]	06	3.0	155	200505	200904	Injector, CR System	0 445 115 063	CR13-16	200505	200811	DBB	26,209.00
CLS 320 CDI Coupe	CLS-Klasse [219]	06	3.0	155	200505	200904	Injector, CR System	0 445 115 063	CR13-16	200812	200904	DBB	26,209.00
CLS 320 CDI Coupe	CLS-Klasse [219]	06	3.0	155	200505	200904	Injector, CR System	0 445 115 075	CR13-16	200812	200904	DBN	-
S 320 CDI	S-Klasse [221]	06	3.0	173	200512	200904	High-Pressure Pump, CR System	0 445 010 135	CR / CP3S3 / L90 / 20-8911S	200512	200904	WAS	-
S 320 CDI	S-Klasse [221]	06	3.0	173	200512	200904	High-Pressure Pump, CR System	0 445 010 145	CR / CP3S3 / L90 / 20-8911S	200512	200904	OWA	-



	Type	Cyl.	l/ccm	kW			Product		Type	Fitment Date	Fitment Date		MRP (₹)
Mercedes-Benz													
S 320 CDI	S-Klasse [221]	06	3.0	173	200512	200904	Injector, CR System	0 445 115 063	CRI3-16	200512	200811	DBB	26,209.00
S 320 CDI	S-Klasse [221]	06	3.0	173	200512	200904	Injector, CR System	0 445 115 075	CRI3-16	200812	200904	DBN	-
C 250 CDI	C-Klasse [204]	04	2.2	150	200809	201412	Injector, CR System	0 445 117 034	CRI3-20	200809	201412	BO / DBB	27,113.00
C 250 CDI	C-Klasse [204]	04	2.2	150	200809	201412	Fuel Rail, CR System	0 445 214 274	CR / V4 / 10-12 S HFR-22	200809	201412	TW	27,257.00
E 220 CDI	E-Klasse [212]	04	2.1	120	200812	201412	DNOX Dosing Module	0 444 021 033	MBPC,Vans	200812	201412	-	-
E 350 CDI	E-Klasse [212]	06	3.0	120	200808	201011	DNOX Dosing Module	0 444 021 029	MB Cars	200808	201011	-	-
E 350 CDI	E-Klasse [212]	06	3.0	120	200808	201011	High-Pressure Pump, CR System	0 445 010 322	CR / CP3HS3 / L80 / 30-8911S	200808	201011	WAS	66,998.00
E 350 CDI	E-Klasse [212]	06	3.0	120	200808	201011	Injector, CR System	0 445 116 025	CRI3-18	200808	201011	DBB	28,920.00
E 250 CDI	E-Klasse [212]	04	2.1	120	200812	201608	DNOX Dosing Module	0 444 021 033	MBPC,Vans	200812	201608	-	-
E 250 CDI	E-Klasse [212]	04	2.1	120	200812	201608	DNOX Dosing Module	0 444 025 005	DNXP / DM / 12 / 3 / 3W / S	201309	201508	-	-
E 250 CDI	E-Klasse [212]	04	2.1	120	200812	201608	Injector, CR System	0 445 117 034	CRI3-20	200812	201608	BO, TW / DBB	27,113.00
E 250 CDI	E-Klasse [212]	04	2.1	120	200812	201608	Injector, CR System	0 445 117 034	CRI3-20	201309	201508	DBB	27,113.00
E 250 CDI	E-Klasse [212]	04	2.1	120	200812	201608	Fuel Rail, CR System	0 445 214 274	CR / V4 / 10-12 S HFR-22	200812	201608	TW	27,257.00
E 250 CDI	E-Klasse [212]	04	2.1	120	200812	201608	DNOX Supply Module	F 01C 600 194	DNOX3.1 Fördermodul / Supply Module	201309	201508	-	-
C 220 CDI	C-Klasse [204]	04	2.1	150	200812	201412	Injector, CR System	0 445 117 034	CRI3-20	200812	201412	BO / DBB	27,113.00
C 220 CDI	C-Klasse [204]	04	2.1	150	200812	201412	Fuel Rail, CR System	0 445 214 274	CR / V4 / 10-12 S HFR-22	200812	201412	TW	27,257.00
S 350 CDI	S-Klasse [221]	06	3.0	173	200905	201006	High-Pressure Pump, CR System	0 445 010 135	CR / CP3S3 / L90 / 20-8911S	200905	201006	WAS	-
S 350 CDI	S-Klasse [221]	06	3.0	173	200905	201006	High-Pressure Pump, CR System	0 445 010 145	CR / CP3S3 / L90 / 20-8911S	200905	201006	OWA	-
S 350 CDI	S-Klasse [221]	06	3.0	173	200905	201006	Injector, CR System	0 445 115 075	CRI3-16	200905	201006	DBN	-
R 350 CDI 4MATIC	R-Klasse [251]	06	3.0	155	201005	201210	Injector, CR System	0 445 116 025	CRI3-18	201005	201210	DBB	28,920.00
GL 350 CDI 4MATIC	GL-Klasse [164]	06	3.0	165	200905	201008	High-Pressure Pump, CR System	0 445 010 135	CR / CP3S3 / L90 / 20-8911S	200905	201008	WAS	-
GL 350 CDI 4MATIC	GL-Klasse [164]	06	3.0	165	200905	201008	High-Pressure Pump, CR System	0 445 010 145	CR / CP3S3 / L90 / 20-8911S	200905	201008	OWA	-
GL 350 CDI 4MATIC	GL-Klasse [164]	06	3.0	165	200905	201008	Injector, CR System	0 445 115 063	CRI3-16	200905	201008	DBB	26,209.00
GL 350 CDI 4MATIC	GL-Klasse [164]	06	3.0	165	200905	201008	Injector, CR System	0 445 115 075	CRI3-16	200905	201008	DBN	-
ML 300 CDI 4MATIC	M-Klasse [164]	06	3.0	200	200905	201012	High-Pressure Pump, CR System	0 445 010 135	CR / CP3S3 / L90 / 20-8911S	200905	201012	WAS	-
ML 300 CDI 4MATIC	M-Klasse [164]	06	3.0	200	200905	201012	High-Pressure Pump, CR System	0 445 010 145	CR / CP3S3 / L90 / 20-8911S	200905	201012	OWA	-
ML 300 CDI 4MATIC	M-Klasse [164]	06	3.0	200	200905	201012	Injector, CR System	0 445 115 063	CRI3-16	200905	201012	DBB	26,209.00
ML 300 CDI 4MATIC	M-Klasse [164]	06	3.0	200	200905	201012	Injector, CR System	0 445 115 063	CRI3-16	200905	201012	DBB	26,209.00
ML 300 CDI 4MATIC	M-Klasse [164]	06	3.0	200	200905	201012	Injector, CR System	0 445 115 075	CRI3-16	200905	201012	DBN	-
R 300 CDI 4MATIC	R-Klasse [251]	06	3.0	155	200905	201005	High-Pressure Pump, CR System	0 445 010 135	CR / CP3S3 / L90 / 20-8911S	200905	201005	WAS	-
R 300 CDI 4MATIC	R-Klasse [251]	06	3.0	155	200905	201005	High-Pressure Pump, CR System	0 445 010 145	CR / CP3S3 / L90 / 20-8911S	200905	201005	OWA	-
R 300 CDI 4MATIC	R-Klasse [251]	06	3.0	155	200905	201005	Injector, CR System	0 445 115 063	CRI3-16	200905	201005	DBB	26,209.00
R 300 CDI 4MATIC	R-Klasse [251]	06	3.0	155	200905	201005	Injector, CR System	0 445 115 075	CRI3-16	200905	201005	DBN	-
E 350 CDI	E-Klasse [212]	06	3.0	120	201012	201312	DNOX Dosing Module	0 444 021 029	MB Cars	201012	201312	-	-
E 350 CDI	E-Klasse [212]	06	3.0	120	201012	201312	Injector, CR System	0 445 116 025	CRI3-18	201012	201312	DBB	28,920.00
ML 250 BlueTec 4MATIC	M-Klasse [166]	04	2.1	150	201106	201508	DNOX Dosing Module	0 444 021 029	MB Cars	201106	201508	-	-
ML 250 BlueTec 4MATIC	M-Klasse [166]	04	2.1	150	201106	201508	DNOX Dosing Module	0 444 021 029	MB Cars	201106	201508	-	-
ML 250 BlueTec 4MATIC	M-Klasse [166]	04	2.1	150	201106	201508	DNOX Dosing Module	0 444 025 005	DNXP / DM / 12 / 3 / 3W / S	201106	201508	-	-
ML 250 BlueTec 4MATIC	M-Klasse [166]	04	2.1	150	201106	201508	Injector, CR System	0 445 117 034	CRI3-20	201106	201508	BO,TW / DBB	27,113.00
ML 250 BlueTec 4MATIC	M-Klasse [166]	04	2.1	150	201106	201508	Fuel Rail, CR System	0 445 214 274	CR / V4 / 10-12 S HFR-22	201106	201508	TW	27,257.00
ML 250 BlueTec 4MATIC	M-Klasse [166]	04	2.1	150	201106	201508	DNOX Supply Module	F 01C 600 194	DNOX3.1 Fördermodul / Supply Module	201106	201508	TW	-
ML 250 BlueTec 4MATIC	M-Klasse [166]	04	2.1	150	201106	201508	DNOX Supply Module	F 01C 600 194	DNOX3.1 Fördermodul / Supply Module	201106	201508	-	-
ML 250 BlueTec 4MATIC	M-Klasse [166]	04	2.1	150	201106	201508	DNOX Supply Module	F 01C 600 268	DNOX5 Pump EN / Pump Kit	201106	201508	TW	-
ML 350 BlueTec 4MATIC	M-Klasse [166]	06	3.0	150	201106	201508	DNOX Dosing Module	0 444 021 029	MB Cars	201106	201508	-	-
ML 350 BlueTec 4MATIC	M-Klasse [166]	06	3.0	150	201106	201508	DNOX Dosing Module	0 444 021 029	MB Cars	201106	201508	-	-
ML 350 BlueTec 4MATIC	M-Klasse [166]	06	3.0	150	201106	201508	DNOX Dosing Module	0 444 025 005	DNXP / DM / 12 / 3 / 3W / S	201106	201508	-	-
ML 350 BlueTec 4MATIC	M-Klasse [166]	06	3.0	150	201106	201508	High-Pressure Pump, CR System	0 445 010 322	CR / CP3HS3 / L80 / 30-8911S	201109	201508	WAS,SSJ	66,998.00
ML 350 BlueTec 4MATIC	M-Klasse [166]	06	3.0	150	201106	201508	High-Pressure Pump, CR System	0 445 010 322	CR / CP3HS3 / L80 / 30-8911S	201404	201508	SSJ	66,998.00
ML 350 BlueTec 4MATIC	M-Klasse [166]	06	3.0	150	201106	201508	Injector, CR System	0 445 116 025	CRI3-18	201106	201508	DBB	28,920.00
ML 350 BlueTec 4MATIC	M-Klasse [166]	06	3.0	150	201106	201508	Injector, CR System	0 445 116 025	CRI3-18	201109	201508	DBB	28,920.00



	Type	Cyl.	l/ccm	kW			Product		Type	Fitment Date	Fitment Date		MRP (₹)
Mercedes-Benz													
ML 350 BlueTec 4MATIC	M-Klasse [166]	06	3.0	150	201106	201508	DNOX Supply Module	F 01C 600 194	DNOX3.1 Fördermodul / Supply Module	201106	201508	TW	-
ML 350 BlueTec 4MATIC	M-Klasse [166]	06	3.0	150	201106	201508	DNOX Supply Module	F 01C 600 194	DNOX3.1 Fördermodul / Supply Module	201106	201508	-	-
ML 350 BlueTec 4MATIC	M-Klasse [166]	06	3.0	150	201106	201508	DNOX Supply Module	F 01C 600 268	DNOX5 Pump EN / Pump Kit	201106	201508	TW	-
GL 350 BlueTec 4MATIC	GL-Klasse [166]	06	3.0	190	201208	201512	DNOX Dosing Module	0 444 021 029	MB Cars	201208	201512	-	-
GL 350 BlueTec 4MATIC	GL-Klasse [166]	06	3.0	190	201208	201512	DNOX Dosing Module	0 444 021 029	MB Cars	201209	201508	-	-
GL 350 BlueTec 4MATIC	GL-Klasse [166]	06	3.0	190	201208	201512	DNOX Dosing Module	0 444 025 005	DNXP / DM / 12 / 3 / 3W / S	201208	201512	-	-
GL 350 BlueTec 4MATIC	GL-Klasse [166]	06	3.0	190	201208	201512	High-Pressure Pump, CR System	0 445 010 322	CR / CP3HS3 / L80 / 30-8911S	201208	201408	-	66,998.00
GL 350 BlueTec 4MATIC	GL-Klasse [166]	06	3.0	190	201208	201512	High-Pressure Pump, CR System	0 445 010 322	CR / CP3HS3 / L80 / 30-8911S	201404	201512	SSJ	66,998.00
GL 350 BlueTec 4MATIC	GL-Klasse [166]	06	3.0	190	201208	201512	Injector, CR System	0 445 116 025	CRI3-18	201208	201512	DBB	28,920.00
GL 350 BlueTec 4MATIC	GL-Klasse [166]	06	3.0	190	201208	201512	Injector, CR System	0 445 116 025	CRI3-18	201209	201512	DBB	28,920.00
GL 350 BlueTec 4MATIC	GL-Klasse [166]	06	3.0	190	201208	201512	DNOX Supply Module	F 01C 600 194	DNOX3.1 Fördermodul / Supply Module	201208	201512	TW	-
GL 350 BlueTec 4MATIC	GL-Klasse [166]	06	3.0	190	201208	201512	DNOX Supply Module	F 01C 600 194	DNOX3.1 Fördermodul / Supply Module	201209	201508	-	-
GL 350 BlueTec 4MATIC	GL-Klasse [166]	06	3.0	190	201208	201512	DNOX Supply Module	F 01C 600 268	DNOX5 Pump EN / Pump Kit	201208	201512	TW	-
S 350 BlueTec	S-Klasse [222]	06	3.0	190	201305	201508	DNOX Dosing Module	0 444 025 003	DNXP / DM / 12 / 3 / 3W / S	201305	201508	-	-
S 350 BlueTec	S-Klasse [222]	06	3.0	190	201305	201508	High-Pressure Pump, CR System	0 445 010 322	CR / CP3HS3 / L80 / 30-8911S	201305	201508	WAS	66,998.00
S 350 BlueTec	S-Klasse [222]	06	3.0	190	201305	201508	High-Pressure Pump, CR System	0 445 010 322	CR / CP3HS3 / L80 / 30-8911S	201305	201508	OWA	66,998.00
S 350 BlueTec	S-Klasse [222]	06	3.0	190	201305	201508	Injector, CR System	0 445 116 025	CRI3-18	201305	201508	DBB	28,920.00
GLA 220 CDI 4MATIC	GLA-Klasse [156]	04	2.1	120	201310	201506	Injector, CR System	0 445 117 034	CRI3-20	201310	201506	DBB	27,113.00
GLA 200 CDI	GLA-Klasse [156]	04	2.1	120	201310	201506	Injector, CR System	0 445 117 034	CRI3-20	201310	201506	TW / DBB	27,113.00
CLA 200 CDI	CLA-Klasse [117]	04	2.1	100	201407	201506	Injector, CR System	0 445 117 034	CRI3-20	201407	201506	MLU / DBB	27,113.00
GLE 250 d	GLE-Klasse [166]	04	2.1	150	201504	201903	DNOX Dosing Module	0 444 021 029	MB Cars	201504	201903	TW	-
GLE 250 d	GLE-Klasse [166]	04	2.1	150	201504	201903	DNOX Dosing Module	0 444 025 005	DNXP / DM / 12 / 3 / 3W / S	201504	201903	TW	-
GLE 250 d	GLE-Klasse [166]	04	2.1	150	201504	201903	Injector, CR System	0 445 117 034	CRI3-20	201504	201903	BO,TW / DBB	27,113.00
GLE 250 d	GLE-Klasse [166]	04	2.1	150	201504	201903	Fuel Rail, CR System	0 445 214 274	CR / V4 / 10-12 S HFR-22	201504	201903	TW	27,257.00
GLE 350 d 4MATIC	GLE-Klasse [166]	06	3.0	150	201504	201903	DNOX Dosing Module	0 444 021 029	MB Cars	201504	201903	TW	-
GLE 350 d 4MATIC	GLE-Klasse [166]	06	3.0	150	201504	201903	DNOX Dosing Module	0 444 025 005	DNXP / DM / 12 / 3 / 3W / S	201504	201903	TW	-
GLE 350 d 4MATIC	GLE-Klasse [166]	06	3.0	150	201504	201903	High-Pressure Pump, CR System	0 445 010 322	CR / CP3HS3 / L80 / 30-8911S	201504	201903	SSJ,SCN	66,998.00
GLE 350 d 4MATIC	GLE-Klasse [166]	06	3.0	150	201504	201903	Injector, CR System	0 445 116 025	CRI3-18	201504	201903	DBB	28,920.00
GLC 220 d 4MATIC	GLC-Klasse [253]	04	2.1	120	201507	201903	Injector, CR System	0 445 117 034	CRI3-20	201507	201903	DBB	27,113.00
GLC 220 d 4MATIC	GLC-Klasse [253]	04	2.1	120	201507	201903	Fuel Rail, CR System	0 445 214 274	CR / V4 / 10-12 S HFR-22	201507	201903	TW	27,257.00
GLS 350 d 4MATIC	GLS-Klasse [166]	06	3.0	190	201509	201903	DNOX Dosing Module	0 444 021 029	MB Cars	201509	201903	TW	-
GLS 350 d 4MATIC	GLS-Klasse [166]	06	3.0	190	201509	201903	DNOX Dosing Module	0 444 025 005	DNXP / DM / 12 / 3 / 3W / S	201509	201903	TW	-
GLS 350 d 4MATIC	GLS-Klasse [166]	06	3.0	190	201509	201903	High-Pressure Pump, CR System	0 445 010 322	CR / CP3HS3 / L80 / 30-8911S	201509	201903	SSJ,SCN	66,998.00
GLS 350 d 4MATIC	GLS-Klasse [166]	06	3.0	190	201509	201903	Injector, CR System	0 445 116 025	CRI3-18	201509	201903	DBB	28,920.00
GLS 350 d 4MATIC	GLS-Klasse [166]	06	3.0	190	201509	201903	DNOX Supply Module	F 01C 600 194	DNOX3.1 Fördermodul / Supply Module	201509	201903	TW	-
GLS 350 d 4MATIC	GLS-Klasse [166]	06	3.0	190	201509	201903	DNOX Supply Module	F 01C 600 268	DNOX5 Pump EN / Pump Kit	201509	201903	TW	-
C 250 d	C-Klasse [205]	04	2.1	150	201512	201903	DNOX Dosing Module	0 444 025 017	DNXP / DM / 12 / 3 / 3W / S	201512	201903	-	-
C 250 d	C-Klasse [205]	04	2.1	150	201512	201903	Injector, CR System	0 445 117 034	CRI3-20	201512	201903	TW / DBB	27,113.00
C 250 d	C-Klasse [205]	04	2.1	150	201512	201903	Fuel Rail, CR System	0 445 214 274	CR / V4 / 10-12 S HFR-22	201512	201903	TW	27,257.00
E 220 d	E-Klasse [213]	04	2.0	143	201601	201903	High-Pressure Pump, CR System	0 445 010 735	CR / CP4HS1 / L50 / 10	201601	201903	OWA	-
E 220 d	E-Klasse [213]	04	2.0	143	201601	201903	High-Pressure Pump, CR System	0 445 010 757	CR / CP4HS1 / L50 / 10	201601	201903	WAS	-
E 220 d	E-Klasse [213]	04	2.0	143	201601	201903	Injector, CR System	0 445 117 047	CRI3-20	201601	201903	DBN	-
E 350 d	E-Klasse [213]	06	3.0	143	201601	201903	DNOX Dosing Module	0 444 025 017	DNXP / DM / 12 / 3 / 3W / S	201601	201903	-	-
E 350 d	E-Klasse [213]	06	3.0	143	201601	201903	High-Pressure Pump, CR System	0 445 010 322	CR / CP3HS3 / L80 / 30-8911S	201601	201903	-	66,998.00
E 350 d	E-Klasse [213]	06	3.0	143	201601	201903	Injector, CR System	0 445 116 025	CRI3-18	201601	201903	DBB	28,920.00
CLS 250 d Shooting Brake	CLS-Klasse [218] SB	04	2.1	150	201603	201903	DNOX Dosing Module	0 444 021 033	MBPC,Vans	201603	201903	-	-
CLS 250 d Shooting Brake	CLS-Klasse [218] SB	04	2.1	150	201603	201903	Injector, CR System	0 445 117 034	CRI3-20	201603	201903	BO,TW / DBB	27,113.00
CLS 250 d Shooting Brake	CLS-Klasse [218] SB	04	2.1	150	201603	201903	Fuel Rail, CR System	0 445 214 274	CR / V4 / 10-12 S HFR-22	201603	201903	TW	27,257.00



	Type	Cyl.	l/ccm	kW			Product		Type				MRP (₹)
Mercedes-Benz													
GLC 220 d Coupe 4MATIC	GLC-Klasse [253] Coupe	04	2.1	120	201610	201903	DNOX Dosing Module	0 444 025 017	DNXP / DM / 12 / 3 / 3W / S	201610	201903		-
GLC 220 d Coupe 4MATIC	GLC-Klasse [253] Coupe	04	2.1	120	201610	201903	Injector, CR System	0 445 117 034	CRI3-20	201610	201903	TW / DBB	27,113.00
GLC 220 d Coupe 4MATIC	GLC-Klasse [253] Coupe	04	2.1	120	201610	201903	Fuel Rail, CR System	0 445 214 274	CR / V4 / 10-12 S HFR-22	201610	201903	TW	27,257.00
Mini (BMW)													
Cooper D Countryman	Mini [R 60] Countryman	04	1.6	82	201009	201610	High-Pressure Pump, CR System	0 445 010 554	CR / CP4S1 / L30 / 10	201009	201610	-	-
Cooper D Countryman	Mini [R 60] Countryman	04	1.6	82	201009	201610	Injector, CR System	0 445 110 599	CRI2-20	201407	201610	EU6DBJ	26,856.00
Cooper D Countryman	Mini [R 60] Countryman	04	1.6	82	201009	201610	Injector, CR System	0 445 110 600	CRI2-16	201009	201610	EU5DBJ	26,209.00
Cooper D Countryman	Mini [R 60] Countryman	04	1.6	82	201009	201610	Fuel Rail, CR System	0 445 214 237	CR / V4 / 10-2S	201009	201610	EU5	7,447.00
Cooper D Countryman	Mini [R 60] Countryman	04	1.6	82	201009	201610	Fuel Rail, CR System	0 445 214 278	LWR;CR / V4 / 10-12S	201407	201610	EU6	6,200.00
Cooper D Countryman	Mini [R 60] Countryman	04	2.0	82	201103	201610	High-Pressure Pump, CR System	0 445 010 554	CR / CP4S1 / L30 / 10	201103	201610	-	-
Cooper D Countryman	Mini [R 60] Countryman	04	2.0	82	201103	201610	Injector, CR System	0 445 110 601	CRI2-16	201103	201610	EU5DBJ	-
Cooper D Countryman	Mini [R 60] Countryman	04	2.0	82	201103	201610	Injector, CR System	0 445 110 613	CRI2-20	201407	201610	EU6DBJ	-
Cooper D Countryman	Mini [R 60] Countryman	04	2.0	82	201103	201610	Fuel Rail, CR System	0 445 214 237	CR / V4 / 10-2S	201103	201610	EU5	7,447.00
Cooper D Countryman	Mini [R 60] Countryman	04	2.0	82	201103	201610	Fuel Rail, CR System	0 445 214 278	LWR;CR / V4 / 10-12S	201407	201610	EU6	6,200.00
Cooper D	Mini [F 56]	03	1.5	120	201403	201903	High-Pressure Pump, CR System	0 445 010 587	CR / CP4	201403	201609	-	75,915.00
Cooper D	Mini [F 56]	03	1.5	120	201403	201903	High-Pressure Pump, CR System	0 445 010 767	CR / CP4	201610	201903	-	61,198.00
Cooper D	Mini [F 56]	03	1.5	120	201403	201903	Injector, CR System	0 445 110 598	CRI2-20	201403	201903	DBJ	26,209.00
Cooper D	Mini [F 56]	03	1.5	120	201403	201903	Fuel Rail, CR System	0 445 213 026	HFR;CR / V3 / 10-12S	201403	201903	-	5,076.00
M&M													
Scorpio 2.6 CRDe	Scorpio	04	2.6	85	200502	200906	High-Pressure Pump, CR System	0 445 010 420	CR / CP1H3 / R85 / 10-789S	200502	200906	-	42,376.00
Scorpio 2.6 CRDe	Scorpio	04	2.6	85	200502	200906	Injector, CR System	0 445 110 260	CRI2-16	200502	200906	DBJ	12,790.00
Scorpio 2.6 CRDe	Scorpio	04	2.6	85	200502	200906	Fuel Rail, CR System	0 445 214 089	CR / V4 / 10-2S	200502	200906	-	-
Tourister 2.5	Tourister	04	2.6	40	201001	201903	High-Pressure Pump, CR System	0 445 010 420	CR / CP1H3 / R85 / 10-789S	201001	201903	-	42,376.00
Tourister 2.5	Tourister	04	2.6	40	201001	201903	Injector, CR System	0 445 110 260	CRI2-16	201001	201903	DBJ	12,790.00
Tourister 2.5	Tourister	04	2.6	40	201001	201903	Fuel Rail, CR System	0 445 214 168	CR / V4 / 10-2S	201001	201903	-	7,937.00
LoadKing CRX 2.6 Diesel	LoadKing CRX	04	2.6	59	200912	201903	High-Pressure Pump, CR System	0 445 010 420	CR / CP1H3 / R85 / 10-789S	200912	201903	-	42,376.00
LoadKing CRX 2.6 Diesel	LoadKing CRX	04	2.6	59	200912	201903	Injector, CR System	0 445 110 260	CRI2-16	200912	201903	DBJ	12,790.00
LoadKing CRX 2.6 Diesel	LoadKing CRX	04	2.6	59	200912	201903	Fuel Rail, CR System	0 445 214 168	CR / V4 / 10-2S	200912	201903	-	7,937.00
Scorpio 2.2 TD	Scorpio	04	2.2	85	200711	201412	High-Pressure Pump, CR System	0 445 010 419	CR / CP1H3 / R85 / 10-789S	200711	201412	-	31,548.00
Scorpio 2.2 TD	Scorpio	04	2.2	85	200711	201412	High-Pressure Pump, CR System	0 445 010 419	CR / CP1H3 / R85 / 10-789S	200711	201412	-	31,548.00
Scorpio 2.2 TD	Scorpio	04	2.2	85	200711	201412	Injector, CR System	0 445 110 310	CRI2-16	200711	201412	DBJ	13,294.00
Scorpio 2.2 TD	Scorpio	04	2.2	85	200711	201412	Fuel Rail, CR System	0 445 214 261	HFR ; CR / V4 / 10-2S	200711	201412	-	7,464.00
LoadKing Pride 2.6 CRDe	LoadKing Pride	04	2.6	59	200712	201903	High-Pressure Pump, CR System	0 445 010 420	CR / CP1H3 / R85 / 10-789S	200712	201903	-	42,376.00
LoadKing Pride 2.6 CRDe	LoadKing Pride	04	2.6	59	200712	201903	Injector, CR System	0 445 110 260	CRI2-16	200712	201903	DBJ	12,790.00
LoadKing Pride 2.6 CRDe	LoadKing Pride	04	2.6	59	200712	201903	Fuel Rail, CR System	0 445 214 168	CR / V4 / 10-2S	200712	201903	-	7,937.00
Tourister 2.6 Diesel	Tourister	04	2.6	40	200504	201001	High-Pressure Pump, CR System	0 445 010 420	CR / CP1H3 / R85 / 10-789S	200504	201001	-	42,376.00
Tourister 2.6 Diesel	Tourister	04	2.6	40	200504	201001	Injector, CR System	0 445 110 260	CRI2-16	200504	201001	DBJ	12,790.00
Tourister 2.6 Diesel	Tourister	04	2.6	40	200504	201001	Fuel Rail, CR System	0 445 214 168	CR / V4 / 10-2S	200504	201001	-	7,937.00
Tourister 2.6 Diesel	Tourister	04	2.6	40	200611	201903	High-Pressure Pump, CR System	0 445 010 420	CR / CP1H3 / R85 / 10-789S	200611	201903	-	42,376.00
Tourister 2.6 Diesel	Tourister	04	2.6	40	200611	201903	Injector, CR System	0 445 110 260	CRI2-16	200611	201903	DBJ	12,790.00
Tourister 2.6 Diesel	Tourister	04	2.6	40	200611	201903	Fuel Rail, CR System	0 445 214 168	CR / V4 / 10-2S	200611	201903	-	7,937.00



							Product		Type				MRP (₹)
M&M													
XYLO 2.5 CRDe	XYLO	04	2.5	82	201002	201903	High-Pressure Pump, CR System	0 445 010 420	CR / CP1H3 / R85 / 10-789S	201002	201903	-	42,376.00
XYLO 2.5 CRDe	XYLO	04	2.5	82	201002	201903	Injector, CR System	0 445 110 310	CR12-16	201002	201903	DBJ	13,294.00
XYLO 2.5 CRDe	XYLO	04	2.5	82	201002	201903	Fuel Rail, CR System	0 445 214 261	HFR ; CR / V4 / 10-2S	201002	201903	-	7,464.00
Quanto 1.5D	Quanto [U203]	04	1.5	74	201209	201903	Injector, CR System	0 445 110 525	CR12-16	201209	201903	DBJ	8,542.00
Maxximo 0.9D	Maxximo	02	0.9	18	201001	201903	Injector, CR System	0 445 110 496	CR11-14	201001	201903	DBJ	8,517.00
Maxximo 0.9D	Maxximo	02	0.9	18	201001	201903	Fuel Rail, CR System	0 445 212 008	CR / V2 / 102 S	201001	201903	-	6,816.00
Maxximo 0.9D	Maxximo	02	0.9	18	201001	201903	Injection Pump PF, Diesel	F 002 FC0 005	PFM 1C 60 S 2504	201001	201903	-	10,838.00
XYLO 2.5 TD MDI	XYLO	04	2.5	82	200901	201903	High-Pressure Pump, CR System	0 445 010 420	CR / CP1H3 / R85 / 10-789S	200901	201903	-	42,376.00
XYLO 2.5 TD MDI	XYLO	04	2.5	82	200901	201903	Injector, CR System	0 445 110 260	CR12-16	200901	201903	DBJ	12,790.00
XYLO 2.5 TD MDI	XYLO	04	2.5	82	200901	201903	Fuel Rail, CR System	0 445 214 168	CR / V4 / 10-2S	200901	201903	-	7,937.00
Thar 2.5D 4x4	Thar	04	2.5	77	201012	201903	High-Pressure Pump, CR System	0 445 010 420	CR / CP1H3 / R85 / 10-789S	201012	201903	-	42,376.00
Thar 2.5D 4x4	Thar	04	2.5	77	201012	201903	Injector, CR System	0 445 110 260	CR12-16	201012	201903	DBJ	12,790.00
Thar 2.5D 4x4	Thar	04	2.5	77	201012	201903	Fuel Rail, CR System	0 445 214 168	CR / V4 / 10-2S	201012	201903	-	7,937.00
XUV500 2.2D	XUV500	04	2.2	103	201109	201903	High-Pressure Pump, CR System	0 445 010 419	CR / CP1H3 / R85 / 10-789S	201109	201903	-	31,548.00
XUV500 2.2D	XUV500	04	2.2	103	201109	201903	Injector, CR System	0 445 110 498	CR12-16	201109	201903	DBJ	8,959.00
XUV500 2.2D	XUV500	04	2.2	103	201109	201903	Fuel Rail, CR System	0 445 214 261	HFR ; CR / V4 / 10-2S	201109	201903	-	7,464.00
XUV500 2.2D 4x4	XUV500	04	2.2	103	201109	201903	High-Pressure Pump, CR System	0 445 010 419	CR / CP1H3 / R85 / 10-789S	201109	201903	-	31,548.00
XUV500 2.2D 4x4	XUV500	04	2.2	103	201109	201903	Injector, CR System	0 445 110 498	CR12-16	201109	201903	DBJ	8,959.00
XUV500 2.2D 4x4	XUV500	04	2.2	103	201109	201903	Fuel Rail, CR System	0 445 214 261	HFR ; CR / V4 / 10-2S	201109	201903	-	7,464.00
Maxximo 0.9D MiniVan	Maxximo	02	0.9	18	201104	201903	Injector, CR System	0 445 110 310	CR12-16	201104	201903	DBJ	13,294.00
Scorpio 2.2 TD 4x4	Scorpio	04	2.2	85	200908	201903	High-Pressure Pump, CR System	0 445 010 419	CR / CP1H3 / R85 / 10-789S	200908	201903	-	31,548.00
Scorpio 2.2 TD 4x4	Scorpio	04	2.2	85	200908	201903	Injector, CR System	0 445 110 498	CR12-16	200908	201903	DBJ	8,959.00
Scorpio 2.2 TD 4x4	Scorpio	04	2.2	85	200908	201903	Fuel Rail, CR System	0 445 214 261	HFR ; CR / V4 / 10-2S	200908	201903	-	7,464.00
Bolero 2.5 Diesel	Bolero	04	2.5	43	201111	201903	Injector, CR System	0 445 110 557	CR11-14	201111	201903	DBJ	8,541.00
Bolero 2.5 Diesel	Bolero	04	2.5	43	201111	201903	Fuel Rail, CR System	0 445 214 261	HFR ; CR / V4 / 10-2S	201111	201903	-	7,464.00
Bolero 2.5 Diesel	Bolero	04	2.5	43	201111	201903	Injection Pump, Diesel	F 002 FC0 004	PFM 1C 70 S 2503	201111	201903	-	10,576.00
Genio 2.5D	Genio	04	2.5	56	201102	201903	High-Pressure Pump, CR System	0 445 010 420	CR / CP1H3 / R85 / 10-789S	201102	201903	-	42,376.00
Genio 2.5D	Genio	04	2.5	56	201102	201903	Injector, CR System	0 445 110 580	CR11-14	201102	201903	DBJ	8,564.00
Genio 2.5D	Genio	04	2.5	56	201102	201903	Fuel Rail, CR System	0 445 214 261	HFR ; CR / V4 / 10-2S	201102	201903	-	7,464.00
Scorpio SUV 2.2 CRDe	Scorpio	04	2.2	85	201301	201903	High-Pressure Pump, CR System	0 445 010 420	CR / CP1H3 / R85 / 10-789S	201301	201903	TW	42,376.00
Scorpio SUV 2.2 CRDe	Scorpio	04	2.2	85	201301	201903	High-Pressure Pump, CR System	0 445 010 419	CR / CP1H3 / R85 / 10-789S	201301	201903	-	31,548.00
Scorpio SUV 2.2 CRDe	Scorpio	04	2.2	85	201301	201903	High-Pressure Pump, CR System	0 445 010 419	CR / CP1H3 / R85 / 10-789S	201301	201903	TW	31,548.00
Scorpio SUV 2.2 CRDe	Scorpio	04	2.2	85	201301	201903	Injector, CR System	0 445 110 498	CR12-16	201301	201903	DBJ	8,959.00
Scorpio SUV 2.2 CRDe	Scorpio	04	2.2	85	201301	201903	Injector, CR System	0 445 110 498	CR12-16	201301	201903	DBJ	8,959.00
Scorpio SUV 2.2 CRDe	Scorpio	04	2.2	85	201301	201903	Fuel Rail, CR System	0 445 214 261	HFR ; CR / V4 / 10-2S	201301	201903	-	7,464.00
Scorpio Pick-up 2.2 CRDe	Scorpio	04	2.2	85	201201	201903	High-Pressure Pump, CR System	0 445 010 420	CR / CP1H3 / R85 / 10-789S	201201	201903	TW	42,376.00
Scorpio Pick-up 2.2 CRDe	Scorpio	04	2.2	85	201201	201903	High-Pressure Pump, CR System	0 445 010 419	CR / CP1H3 / R85 / 10-789S	201201	201903	-	31,548.00
Scorpio Pick-up 2.2 CRDe	Scorpio	04	2.2	85	201201	201903	High-Pressure Pump, CR System	0 445 010 419	CR / CP1H3 / R85 / 10-789S	201201	201903	TW	31,548.00
Scorpio Pick-up 2.2 CRDe	Scorpio	04	2.2	85	201201	201903	Injector, CR System	0 445 110 498	CR12-16	201201	201903	DBJ	8,959.00
Scorpio Pick-up 2.2 CRDe	Scorpio	04	2.2	85	201201	201903	Injector, CR System	0 445 110 498	CR12-16	201201	201903	DBJ	8,959.00
Scorpio Pick-up 2.2 CRDe	Scorpio	04	2.2	85	201201	201903	Fuel Rail, CR System	0 445 214 261	HFR ; CR / V4 / 10-2S	201201	201903	-	7,464.00
XYLO 2.2 4x4	XYLO	04	2.2	82	201001	201903	High-Pressure Pump, CR System	0 445 010 419	CR / CP1H3 / R85 / 10-789S	201001	201903	-	31,548.00
XYLO 2.2 4x4	XYLO	04	2.2	82	201001	201903	Injector, CR System	0 445 110 310	CR12-16	201001	201903	DBJ	13,294.00
XYLO 2.2 4x4	XYLO	04	2.2	82	201001	201903	Fuel Rail, CR System	0 445 214 261	HFR ; CR / V4 / 10-2S	201001	201903	-	7,464.00
MN 40 TT 7.2 Turbo	MN 40 TT	06	7.1	260	201101	201903	High-Pressure Pump, CR System	0 445 020 101	CR / CP3HS3 / L110 / 30-789S	201101	201903	-	76,872.00
MN 40 TT 7.2 Turbo	MN 40 TT	06	7.1	260	201101	201903	Injector, CR System	0 445 120 167	CRIN3-18	201101	201903	DBN	34,769.00
MN 40 TT 7.2 Turbo	MN 40 TT	06	7.1	260	201101	201903	Fuel Rail, CR System	0 445 226 084	CR / V6 / 10-23S	201101	201903	-	11,365.00
MN 49 TT	MN 49 TT	06	7.1	260	201201	201903	High-Pressure Pump, CR System	0 445 025 616	CR / CB28 S2 / L 100 / 10-789V	201201	201903	-	46,350.00
MN 49 TT	MN 49 TT	06	7.1	260	201201	201903	Injector, CR System	0 445 120 421	CRIN2-16-BL	201201	201903	DBN	17,000.00
MN 49 TT	MN 49 TT	06	7.1	260	201201	201903	Fuel Rail, CR System	0 445 226 157	HFR ; CR / V6 / 10-23S	201201	201903	-	11,998.00



							Product		Type				MRP (₹)
M&M													
XYLO 2.2 TD mHawk	XYLO	04	2.2	82	201305	201903	High-Pressure Pump, CR System	0 445 010 419	CR / CP1H3 / R85 / 10-789S	201305	201903	-	31,548.00
XYLO 2.2 TD mHawk	XYLO	04	2.2	82	201305	201903	Injector, CR System	0 445 110 310	CR12-16	201305	201903	DBJ	13,294.00
XYLO 2.2 TD mHawk	XYLO	04	2.2	82	201305	201903	Fuel Rail, CR System	0 445 214 261	HFR ; CR / V4 / 10-2S	201305	201903	-	7,464.00
KUV100 1.2 TD	KUV100 [S101]	03	1.2	57	201601	201903	Injector, CR System	0 445 110 755	CR12-16	201601	201903	DBJ	9,031.00
KUV100 1.2 TD	KUV100 [S101]	03	1.2	57	201601	201903	Fuel Rail, CR System	0 445 213 025	HFR ; CR / V3 / 10-2S	201601	201903	-	7,887.00
KUV100 1.2 TD	KUV100 [S101]	03	1.2	57	201601	201903	Injection Pump, Diesel	F 002 FC0 004	PFM 1C 70 S 2503	201601	201903	-	10,576.00
TUV300 1.5 D T8	TUV300 [U301]	03	1.5	59	201509	201903	Injector, CR System	0 445 110 496	CR11-14	201509	201903	DBJ	8,517.00
TUV300 1.5 D T8	TUV300 [U301]	03	1.5	59	201509	201903	Fuel Rail, CR System	0 445 213 025	HFR ; CR / V3 / 10-2S	201509	201903	-	7,887.00
TUV300 1.5 D T8	TUV300 [U301]	03	1.5	59	201509	201903	Injection Pump, Diesel	F 002 FC0 004	PFM 1C 70 S 2503	201509	201903	-	10,576.00
Blazo 25	Blazo 25	06	7.1	191	201604	999999	High-Pressure Pump, CR System	0 445 025 616	CR / CB28 S2 / L 100 / 10-789V	-	-	-	46,350.00
Blazo 25	Blazo 25	06	7.1	191	201604	999999	Fuel Rail, CR System	0 445 226 157	HFR; CR / V6 / 10-23S	-	-	-	11,998.00
Blazo 25	Blazo 25	06	7.1	191	201604	999999	Injector, CR System	0 445 120 421	CRIN2-16-BL	-	-	-	17,000.00
Blazo 25 Tipper	Blazo 25 Tipper	06	7.1	201	201604	999999	High-Pressure Pump, CR System	0 445 025 616	CR / CB28 S2 / L 100 / 10-789V	-	-	-	46,350.00
Blazo 25 Tipper	Blazo 25 Tipper	06	7.1	201	201604	999999	Fuel Rail, CR System	0 445 226 157	HFR; CR / V6 / 10-23S	-	-	-	11,998.00
Blazo 25 Tipper	Blazo 25 Tipper	06	7.1	201	201604	999999	Injector, CR System	0 445 120 421	CRIN2-16-BL	-	-	-	17,000.00
Blazo 31	Blazo 31	06	7.1	191	201604	999999	High-Pressure Pump, CR System	0 445 025 616	CR / CB28 S2 / L 100 / 10-789V	-	-	-	46,350.00
Blazo 31	Blazo 31	06	7.1	191	201604	999999	Fuel Rail, CR System	0 445 226 157	HFR; CR / V6 / 10-23S	-	-	-	11,998.00
Blazo 31	Blazo 31	06	7.1	191	201604	999999	Injector, CR System	0 445 120 421	CRIN2-16-BL	-	-	-	17,000.00
Blazo 31 Tipper	Blazo 31 Tipper	06	7.1	201	201604	999999	High-Pressure Pump, CR System	0 445 025 616	CR / CB28 S2 / L 100 / 10-789V	-	-	-	46,350.00
Blazo 31 Tipper	Blazo 31 Tipper	06	7.1	201	201604	999999	Fuel Rail, CR System	0 445 226 157	HFR; CR / V6 / 10-23S	-	-	-	11,998.00
Blazo 31 Tipper	Blazo 31 Tipper	06	7.1	201	201604	999999	Injector, CR System	0 445 120 421	CRIN2-16-BL	-	-	-	17,000.00
Blazo 35	Blazo 35	06	7.1	162	201604	999999	High-Pressure Pump, CR System	0 445 025 616	CR / CB28 S2 / L 100 / 10-789V	-	-	-	46,350.00
Blazo 35	Blazo 35	06	7.1	162	201604	999999	Fuel Rail, CR System	0 445 226 157	HFR; CR / V6 / 10-23S	-	-	-	11,998.00
Blazo 35	Blazo 35	06	7.1	162	201604	999999	Injector, CR System	0 445 120 421	CRIN2-16-BL	-	-	-	17,000.00
Blazo 37	Blazo 37	06	7.1	162	201604	999999	High-Pressure Pump, CR System	0 445 025 616	CR / CB28 S2 / L 100 / 10-789V	-	-	-	46,350.00
Blazo 37	Blazo 37	06	7.1	162	201604	999999	Fuel Rail, CR System	0 445 226 157	HFR; CR / V6 / 10-23S	-	-	-	11,998.00
Blazo 37	Blazo 37	06	7.1	162	201604	999999	Injector, CR System	0 445 120 421	CRIN2-16-BL	-	-	-	17,000.00
Blazo 40	Blazo 40	06	7.1	191	201604	999999	High-Pressure Pump, CR System	0 445 025 616	CR / CB28 S2 / L 100 / 10-789V	-	-	-	46,350.00
Blazo 40	Blazo 40	06	7.1	191	201604	999999	Fuel Rail, CR System	0 445 226 157	HFR; CR / V6 / 10-23S	-	-	-	11,998.00
Blazo 40	Blazo 40	06	7.1	191	201604	999999	Injector, CR System	0 445 120 421	CRIN2-16-BL	-	-	-	17,000.00
Blazo 40 Tip trailer	Blazo 40 Tip trailer	06	7.1	191	201604	999999	High-Pressure Pump, CR System	0 445 025 616	CR / CB28 S2 / L 100 / 10-789V	-	-	-	46,350.00
Blazo 40 Tip trailer	Blazo 40 Tip trailer	06	7.1	191	201604	999999	Fuel Rail, CR System	0 445 226 157	HFR; CR / V6 / 10-23S	-	-	-	11,998.00
Blazo 40 Tip trailer	Blazo 40 Tip trailer	06	7.1	191	201604	999999	Injector, CR System	0 445 120 421	CRIN2-16-BL	-	-	-	17,000.00
Blazo 49	Blazo 49	06	7.1	191	201604	999999	High-Pressure Pump, CR System	0 445 025 616	CR / CB28 S2 / L 100 / 10-789V	-	-	-	46,350.00
Blazo 49	Blazo 49	06	7.1	191	201604	999999	Fuel Rail, CR System	0 445 226 157	HFR; CR / V6 / 10-23S	-	-	-	11,998.00
Blazo 49	Blazo 49	06	7.1	191	201604	999999	Injector, CR System	0 445 120 421	CRIN2-16-BL	-	-	-	17,000.00
Maruti													
Swift 1.3 Dzire TD	Swift [YN2]	04	1.2	56	200803	201903	High-Pressure Pump, CR System	0 445 010 421	CR / CP1H3 / R70 / 10-89S	200803	201903	-	31,548.00
Swift 1.3 Dzire TD	Swift [YN2]	04	1.2	56	200803	201903	Injector, CR System	0 445 110 316	CR12-16	200803	201903	DBJ	10,544.00
Swift 1.3 Dzire TD	Swift [YN2]	04	1.2	56	200803	201903	Fuel Rail, CR System	0 445 214 298	HFR; CR / V4 / 10-2S	200803	201903	-	8,734.00
Ritz 1.2D	Ritz	04	1.2	55	200905	201903	High-Pressure Pump, CR System	0 445 010 278	CR / CP1K3 / R55 / 10-S	200905	201903	-	51,160.00
Ritz 1.2D	Ritz	04	1.2	55	200905	201903	Injector, CR System	0 445 110 316	CR12-16	200905	201903	DBJ	10,544.00
Ritz 1.2D	Ritz	04	1.2	55	200905	201903	Fuel Rail, CR System	0 445 214 086	CR / V4 / 10-12S	200905	201903	-	8,856.00
SX4 1.3D	SX4 [YY4]	04	1.3	66	201102	201408	High-Pressure Pump, CR System	0 445 010 421	CR / CP1H3 / R70 / 10-89S	201102	201408	-	31,548.00
SX4 1.3D	SX4 [YY4]	04	1.3	66	201102	201408	Injector, CR System	0 445 110 316	CR12-16	201102	201408	DBJ	10,544.00
SX4 1.3D	SX4 [YY4]	04	1.3	66	201102	201408	Fuel Rail, CR System	0 445 214 298	HFR; CR / V4 / 10-2S	201102	201408	-	8,734.00
Ertiga 1.3 TD	Ertiga [R3]	04	1.2	66	201204	201903	High-Pressure Pump, CR System	0 445 010 467	CR / CP1H3 / R70 / 10-89S	201204	201903	-	48,013.00
Ertiga 1.3 TD	Ertiga [R3]	04	1.2	66	201204	201903	Injector, CR System	0 445 110 765	CR12-16	201204	201903	DBJ	9,587.00



								Product		Type				MRP (₹)
Maruti														
	Ertiga 1.3 TD	Ertiga [R3]	04	1.2	66	201204	201903	Fuel Rail, CR System	0 445 214 298	HFR; CR / V4 / 10-2S	201204	201903	-	8,734.00
	Swift 1.3 TD	Swift [YN2]	04	1.2	56	200701	201107	High-Pressure Pump, CR System	0 445 010 421	CR / CP1H3 / R70 / 10-89S	200701	201107	-	31,548.00
	Swift 1.3 TD	Swift [YN2]	04	1.2	56	200701	201107	Injector, CR System	0 445 110 316	CRI2-16	200701	201107	DBJ	10,544.00
	Swift 1.3 TD	Swift [YN2]	04	1.2	56	200701	201107	Fuel Rail, CR System	0 445 214 298	HFR; CR / V4 / 10-2S	200701	201107	-	8,734.00
	Swift 1.3 TD	Swift [YP8]	04	1.2	55	201108	201903	High-Pressure Pump, CR System	0 445 010 421	CR / CP1H3 / R70 / 10-89S	201108	201903	-	31,548.00
	Swift 1.3 TD	Swift [YP8]	04	1.2	55	201108	201903	Injector, CR System	0 445 110 316	CRI2-16	201108	201903	DBJ	10,544.00
	Swift 1.3 TD	Swift [YP8]	04	1.2	55	201108	201903	Fuel Rail, CR System	0 445 214 298	HFR; CR / V4 / 10-2S	201108	201903	-	8,734.00
	Swift 1.3 Dzire TD	Swift [YN4]	04	1.2	63	201202	201903	High-Pressure Pump, CR System	0 445 010 421	CR / CP1H3 / R70 / 10-89S	201202	201903	-	31,548.00
	Swift 1.3 Dzire TD	Swift [YN4]	04	1.2	63	201202	201903	Injector, CR System	0 445 110 316	CRI2-16	201202	201903	DBJ	10,544.00
	Swift 1.3 Dzire TD	Swift [YN4]	04	1.2	63	201202	201903	Fuel Rail, CR System	0 445 214 298	HFR; CR / V4 / 10-2S	201202	201903	-	8,734.00
	Ciaz 1.2	Ciaz [YL1]	04	1.2	66	201410	201903	High-Pressure Pump, CR System	0 445 010 467	CR / CP1H3 / R70 / 10-89S	201410	201903	-	48,013.00
	Ciaz 1.2	Ciaz [YL1]	04	1.2	66	201410	201903	Injector, CR System	0 445 110 765	CRI2-16	201410	201903	DBJ	9,587.00
	Ciaz 1.2	Ciaz [YL1]	04	1.2	66	201410	201903	Fuel Rail, CR System	0 445 214 298	HFR; CR / V4 / 10-2S	201410	201903	-	8,734.00
	Vitara Brezza 1.2	Vitara Brezza [YBA]	04	1.2	66	201603	201903	High-Pressure Pump, CR System	0 445 010 315	CR / CP1H3 / R70 / 10-89S	201603	201903	-	-
	Vitara Brezza 1.2	Vitara Brezza [YBA]	04	1.2	66	201603	201903	High-Pressure Pump, CR System	0 445 010 421	CR / CP1H3 / R70 / 10-89S	201603	201903	-	31,548.00
	Vitara Brezza 1.2	Vitara Brezza [YBA]	04	1.2	66	201603	201903	Fuel Rail, CR System	0 445 214 298	HFR; CR / V4 / 10-2S	201603	201903	-	8,734.00
	Baleno 1.2	Baleno [YRA]	04	1.2	55	201510	999999	High-Pressure Pump, CR System	0 445 010 421	CR / CP1H3 / R70 / 10-89S	-	-	-	31,548.00
	Baleno 1.2	Baleno [YRA]	04	1.2	55	201510	999999	Injector, CR System	0 445 110 316	CRI2-16	-	-	-	10,544.00
	Baleno 1.2	Baleno [YRA]	04	1.2	55	201510	999999	Fuel Rail, CR System	0 445 214 298	HFR; CR / V4 / 10-2S	-	-	-	8,734.00
	Celerio 0.8 TD	Celerio [YL7]	02	0.8	50	201506	201903	Injector, CR System	0 445 110 706	CRI1-14	201506	201903	DBJ	10,159.00
	Celerio 0.8 TD	Celerio [YL7]	02	0.8	50	201506	201903	Fuel Rail, CR System	0 445 212 009	CR / V2 / 10-2 S (FDB16 / 2)	201506	201903	-	7,353.00
	Celerio 0.8 TD	Celerio [YL7]	02	0.8	50	201506	201903	Injection Pump PF, Diesel	F 002 FC0 006	PFM 1C 60 S 2505	201506	201903	-	12,565.00
	Ignis 1.2	Ignis	04	1.2	55	201701	999999	High-Pressure Pump, CR System	0 445 010 421	CR / CP1H3 / R70 / 10-89S	-	-	-	31,548.00
	Ignis 1.2	Ignis	04	1.2	55	201701	999999	Injector, CR System	0 445 110 316	CRI2-16	-	-	-	10,544.00
	Ignis 1.2	Ignis	04	1.2	55	201701	999999	Fuel Rail, CR System	0 445 214 298	HFR; CR / V4 / 10-2S	-	-	-	8,734.00
	Super Carry 0.8 TD	Super Carry	02	0.8	24	201607	999999	Injection Pump PF, Diesel	F 002 FC0 006	PFM 1C 60 S 2505	-	-	-	12,565.00
	Super Carry 0.8 TD	Super Carry	02	0.8	24	201607	999999	Fuel Rail, CR System	0 445 212 009	CR / V2 / 10-2 S (FDB16 / 2)	-	-	-	7,353.00
	Super Carry 0.8 TD	Super Carry	02	0.8	24	201607	999999	Fuel metering unit, CR system	F 002 FU0 002	FCU / 1 / Z3 / S	-	-	-	6,648.00
	Super Carry 0.8 TD	Super Carry	02	0.8	24	201607	999999	Injector, CR System	0 445 110 706	CRI1-14	-	-	-	10,159.00
Nissan														
	X-Trail 2.0 dCi 4x4	X-Trail [T31]	04	2.0	110	200704	201404	High-Pressure Pump, CR System	0 445 010 170	CR / CP1H3 / L70 / 10-789S	200704	200810	-	-
	X-Trail 2.0 dCi 4x4	X-Trail [T31]	04	2.0	110	200704	201404	High-Pressure Pump, CR System	0 445 010 223	CR / CP1H3 / L70 / 10-789S	200811	201404	-	67,140.00
	X-Trail 2.0 dCi 4x4	X-Trail [T31]	04	2.0	110	200704	201404	Injector, CR System	0 445 115 022	CRI3-16	200704	201006	DBB	26,209.00
	X-Trail 2.0 dCi 4x4	X-Trail [T31]	04	2.0	110	200704	201404	Injector, CR System	0 445 115 022	CRI3-16	200704	201404	ZE / DBB	26,209.00
	X-Trail 2.0 dCi 4x4	X-Trail [T31]	04	2.0	110	200704	201404	Injector, CR System	0 445 115 022	CRI3-16	201007	201404	DBB	26,209.00
	X-Trail 2.0 dCi 4x4	X-Trail [T31]	04	2.0	110	200704	201404	Fuel Rail, CR System	0 445 214 155	CR / V4 / 10-12S	200704	200811	-	-
Porsche														
	Cayenne 3.0	Cayenne [92A]	06	3.0	294	201009	201108	High-Pressure Pump, CR System	0 445 010 685	CR / CP4S2 / R65 / 40	201009	201108	-	73,675.00
	Cayenne 3.0	Cayenne [92A]	06	3.0	294	201009	201108	Injector, CR System	0 445 116 022	CRI3-18	201009	201108	DBJ	28,016.00
	Panamera 3.0	Panamera [970]	06	3.0	294	201108	201608	High-Pressure Pump, CR System	0 445 010 676	CR / CP4HS2 / R75 / 40	201108	201608	-	-
	Panamera 3.0	Panamera [970]	06	3.0	294	201108	201608	Injector, CR System	0 445 117 021	CRI3-20	201108	201608	DBJ	24,834.00
	Cayenne 4.2 S	Cayenne [92A]	08	4.2	294	201209	201408	High-Pressure Pump, CR System	0 445 010 675	CR / CP4HS2 / L75 / 40-S	201209	201408	-	80,434.00
	Cayenne 4.2 S	Cayenne [92A]	08	4.2	294	201209	201408	Injector, CR System	0 445 117 019	CRI3-20	201209	201408	DBJ	27,113.00
	Macan 3.0 Diesel S	Macan [95B]	06	3.0	180	201403	201808	DNOX Dosing Module	0 444 025 022	DNOX5 / DM / 12 / 3 / 4W / S	201403	201808	-	-
	Macan 3.0 Diesel S	Macan [95B]	06	3.0	180	201403	201808	High-Pressure Pump, CR System	0 445 010 676	CR / CP4HS2 / R75 / 40	201403	201808	-	-



Renault

Renault

Skoda

Skoda

Suzuki

Suzuki

Swaraj Mazda

Swaraj Mazda

Tata (Telco)

Tata (Telco)

							Product		Type				MRP (₹)
Renault													
Koleos 2.0 dCi 4x4	Koleos [HY]	04	2.0	127	200809	201612	High-Pressure Pump, CR System	0 445 010 170	CR / CP1H3 / L70 / 10-789S	200809	200810	-	-
Koleos 2.0 dCi 4x4	Koleos [HY]	04	2.0	127	200809	201612	High-Pressure Pump, CR System	0 445 010 223	CR / CP1H3 / L70 / 10-789S	200811	201612	-	67,140.00
Koleos 2.0 dCi 4x4	Koleos [HY]	04	2.0	127	200809	201612	Injector, CR System	0 445 115 007	CR13-16	200809	201612	DBB	24,401.00
Koleos 2.0 dCi 4x4	Koleos [HY]	04	2.0	127	200809	201612	Fuel Rail, CR System	0 445 214 230	CR / V4 / 10-12S	200809	200812	-	18,753.00
Koleos 2.0 dCi 4x4	Koleos [HY]	04	2.0	127	200809	201612	Fuel Rail, CR System	0 445 214 250	HFR;CR / V4 / 10-12S	200901	201612	-	20,030.00
Koleos 2.0 dCi	Koleos [HY]	04	2.0	127	200809	201612	High-Pressure Pump, CR System	0 445 010 170	CR / CP1H3 / L70 / 10-789S	200809	200810	-	-
Koleos 2.0 dCi	Koleos [HY]	04	2.0	127	200809	201612	High-Pressure Pump, CR System	0 445 010 223	CR / CP1H3 / L70 / 10-789S	200811	201612	-	67,140.00
Koleos 2.0 dCi	Koleos [HY]	04	2.0	127	200809	201612	Injector, CR System	0 445 115 007	CR13-16	200809	201612	DBB	24,401.00
Koleos 2.0 dCi	Koleos [HY]	04	2.0	127	200809	201612	Fuel Rail, CR System	0 445 214 230	CR / V4 / 10-12S	200809	200812	-	18,753.00
Koleos 2.0 dCi	Koleos [HY]	04	2.0	127	200809	201612	Fuel Rail, CR System	0 445 214 250	HFR;CR / V4 / 10-12S	200901	201612	-	20,030.00
Skoda													
Yeti 2.0 TDI	Yeti [5L7]	04	2.0	103	200911	201505	High-Pressure Pump, CR System	0 445 010 565	CR / CP4S1 / R40 / 20S	200911	201505	-	65,397.00
Yeti 2.0 TDI	Yeti [5L7]	04	2.0	103	200911	201505	Injector, CR System	0 445 110 646	CR12-18	200911	201505	DBJ	23,106.00
Yeti 2.0 TDI 4x4	Yeti [5L7]	04	2.0	103	200911	201712	High-Pressure Pump, CR System	0 445 010 565	CR / CP4S1 / R40 / 20S	200911	201712	-	65,397.00
Yeti 2.0 TDI 4x4	Yeti [5L7]	04	2.0	103	200911	201712	Injector, CR System	0 445 110 646	CR12-18	200911	201712	DBJ	23,106.00
Superb 2.0 TDI	Superb [3T4]	04	2.0	77	201002	201505	High-Pressure Pump, CR System	0 445 010 565	CR / CP4S1 / R40 / 20S	201002	201505	-	65,397.00
Superb 2.0 TDI	Superb [3T4]	04	2.0	77	201002	201505	Injector, CR System	0 445 110 646	CR12-18	201002	201505	DBJ	23,106.00
Octavia 2.0 TDI	Octavia [5E3]	04	2.0	132	201305	201903	High-Pressure Pump, CR System	0 445 010 583	CR / CP4HS1 / R35 / 10-S	201305	201903	-	71,396.00
Octavia 2.0 TDI	Octavia [5E3]	04	2.0	132	201305	201903	Injector, CR System	0 445 110 468	CR12-20	201305	201903	EU6DBJ	25,368.00
Octavia 2.0 TDI	Octavia [5E3]	04	2.0	132	201305	201903	Injector, CR System	0 445 110 474	CR12-18	201305	201903	EU4, 5PLDBJ	23,179.00
Kodiaq 2.0 TDI 4x4	Kodiaq [NS, NV]	04	2.0	110	201703	201903	DNOX Dosing Module	0 444 025 042	DNOX DM3 PC	201703	201903	-	-
Kodiaq 2.0 TDI 4x4	Kodiaq [NS, NV]	04	2.0	110	201703	201903	High-Pressure Pump, CR System	0 445 010 583	CR / CP4HS1 / R35 / 10-S	201703	201903	-	71,396.00
Kodiaq 2.0 TDI 4x4	Kodiaq [NS, NV]	04	2.0	110	201703	201903	Injector, CR System	0 445 110 470	CR12-20	201703	201903	DBJ	24,006.00
Kodiaq 2.0 TDI 4x4	Kodiaq [NS, NV]	04	2.0	110	201703	201903	DNOX Supply Module	F 01C 600 266	DNOX5 Pump EN / Pump Kit	201703	201903	-	-
Suzuki													
Baleno 1.3 TD	Baleno [YRA]	04	1.2	55	201510	201903	High-Pressure Pump, CR System	0 445 010 421	CR / CP1H3 / R70 / 10-89S	201510	201903	-	31,548.00
Baleno 1.3 TD	Baleno [YRA]	04	1.2	55	201510	201903	Injector, CR System	0 445 110 316	CR12-16	201510	201903	DBJ	10,544.00
Baleno 1.3 TD	Baleno [YRA]	04	1.2	55	201510	201903	Fuel Rail, CR System	0 445 214 197	CR / V4 / 10-2 S	201510	201903	-	-
Swaraj Mazda													
Samrat	Samrat	04	3.5	74	201401	201903	High-Pressure Pump, CR System	0 445 025 025	CR / CB18S2 / R100 / 10-7915S	201401	201903	-	34,106.00
Samrat	Samrat	04	3.5	74	201401	201903	Injector, CR System	0 445 110 593	CR12-16	201401	201903	DBJ	8,235.00
Samrat	Samrat	04	3.5	74	201401	201903	Fuel Rail, CR System	0 445 224 078	HFR; CR / V4 / 10-23S	201401	201903	-	9,540.00
BS4	BS4	04	3.5	75	201401	201903	High-Pressure Pump, CR System	0 445 025 025	CR / CB18S2 / R100 / 10-7915S	201401	201903	-	34,106.00
BS4	BS4	04	3.5	75	201401	201903	Injector, CR System	0 445 110 593	CR12-16	201401	201903	DBJ	8,235.00
BS4	BS4	04	3.5	75	201401	201903	Fuel Rail, CR System	0 445 224 078	HFR; CR / V4 / 10-23S	201401	201903	-	9,540.00
Tata (Telco)													
Marcopolo 1628 Divo	Marcopolo	06	6.7	210	201104	201903	High-Pressure Pump, CR System	0 445 020 150	CR / CP3S3 / L110 / 30-789S	201104	201903	-	43,029.00
Marcopolo 1628 Divo	Marcopolo	06	6.7	210	201104	201903	Injector, CR System	0 445 120 123	CRIN1-14 / 16	201104	201903	DBJ	20,695.00
Marcopolo 1628 Divo	Marcopolo	06	6.7	210	201104	201903	Fuel Rail, CR System	0 445 226 042	CR / V6 / 10-23S	201104	201903	-	11,012.00
Prima 3138 K 8x4	Prima	06	8.9	272	201104	201903	High-Pressure Pump, CR System	0 445 020 150	CR / CP3S3 / L110 / 30-789S	201104	201903	-	43,029.00
Prima 3138 K 8x4	Prima	06	8.9	272	201104	201903	Injector, CR System	0 445 120 121	CRIN1-14 / 16	201104	201903	DBJ	-
Prima 3138 K 8x4	Prima	06	8.9	272	201104	201903	Fuel Rail, CR System	0 445 226 025	CR / V6 / 10-23S	201104	201903	-	23,240.00
Indica Vista 1.2D	Indica Vista [X1]	04	1.2	52	200808	201903	High-Pressure Pump, CR System	0 445 010 422	CR / CP1H3 / R70 / 10-89S	200808	201903	-	33,946.00
Indica Vista 1.2D	Indica Vista [X1]	04	1.2	52	200808	201903	Injector, CR System	0 445 110 331	CR12-16	200808	201903	DBN	14,103.00
Indica Vista 1.2D	Indica Vista [X1]	04	1.2	52	200808	201903	Fuel Rail, CR System	0 445 214 299	HFR; CR / V4 / 10-12S	200808	201903	-	12,703.00
Indigo Manza 1.2 TD	Indigo Manza [X1]	04	1.2	66	200910	201903	High-Pressure Pump, CR System	0 445 010 422	CR / CP1H3 / R70 / 10-89S	200910	201903	-	33,946.00
Indigo Manza 1.2 TD	Indigo Manza [X1]	04	1.2	66	200910	201903	Injector, CR System	0 445 110 331	CR12-16	200910	201903	DBN	14,103.00



							Product		Type				MRP (₹)
Tata (Telco)													
Indigo Manza 1.2 TD	Indigo Manza [X1]	04	1.2	66	200910	201903	Fuel Rail, CR System	0 445 214 298	HFR; CR / V4 / 10-2S	200910	201903	-	8,734.00
Prima 2528 K 6x4	Prima	06	6.7	272	201401	201903	High-Pressure Pump, CR System	0 445 020 045	CR / CP3S3 / L110 / 30-789S	201401	201903	-	-
Prima 2528 K 6x4	Prima	06	6.7	272	201401	201903	Injector, CR System	0 445 120 123	CRIN1-14 / 16	201401	201903	DBJ	20,695.00
Prima 2528 K 6x4	Prima	06	6.7	272	201401	201903	Fuel Rail, CR System	0 445 226 042	CR / V6 / 10-23S	201401	201903	-	11,012.00
Prima 3128 K 8x4	Prima	06	6.7	272	201101	201903	High-Pressure Pump, CR System	0 445 020 045	CR / CP3S3 / L110 / 30-789S	201101	201903	-	-
Prima 3128 K 8x4	Prima	06	6.7	272	201101	201903	Injector, CR System	0 445 120 123	CRIN1-14 / 16	201101	201903	DBJ	20,695.00
Prima 3128 K 8x4	Prima	06	6.7	272	201101	201903	Fuel Rail, CR System	0 445 226 042	CR / V6 / 10-23S	201101	201903	-	11,012.00
Prima 4028	Prima	06	6.7	272	200910	201903	High-Pressure Pump, CR System	0 445 020 045	CR / CP3S3 / L110 / 30-789S	200910	201903	-	-
Prima 4028	Prima	06	6.7	272	200910	201903	Injector, CR System	0 445 120 123	CRIN1-14 / 16	200910	201903	DBJ	20,695.00
Prima 4028	Prima	06	6.7	272	200910	201903	Fuel Rail, CR System	0 445 226 042	CR / V6 / 10-23S	200910	201903	-	11,012.00
Ace (BS IV) 0.8	Ace	02	0.8	12	201304	201903	Injector, CR System	0 445 110 698	CRI1-14	201304	201903	DBJ	9,742.00
Ace (BS IV) 0.8	Ace	02	0.8	12	201304	201903	Fuel Rail, CR System	0 445 212 002	CR / V2 / 10-12S	201304	201903	-	10,283.00
Ace (BS IV) 0.8	Ace	02	0.8	12	201304	201903	Injection Pump, Diesel	F 002 FC0 002	PFM 1C 60S 2501	201304	201903	-	10,233.00
ZEST 1.3 TD	Zest [F5]	04	1.2	66	201408	201903	High-Pressure Pump, CR System	0 445 010 422	CR / CP1H3 / R70 / 10-89S	201408	201903	-	33,946.00
ZEST 1.3 TD	Zest [F5]	04	1.2	66	201408	201903	Injector, CR System	0 445 110 331	CRI2-16	201408	201903	DBN	14,103.00
ZEST 1.3 TD	Zest [F5]	04	1.2	66	201408	201903	Fuel Rail, CR System	0 445 214 298	HFR; CR / V4 / 10-2S	201408	201903	-	8,734.00
ZEST 1.3 TD XTA	Zest [F5]	04	1.2	66	201408	201903	High-Pressure Pump, CR System	0 445 010 413	CR / CP1K3 / R55 / 10S	201408	201903	-	31,672.00
ZEST 1.3 TD XTA	Zest [F5]	04	1.2	66	201408	201903	Injector, CR System	0 445 110 331	CRI2-16	201408	201903	DBN	14,103.00
ZEST 1.3 TD XTA	Zest [F5]	04	1.2	66	201408	201903	Fuel Rail, CR System	0 445 214 298	HFR; CR / V4 / 10-2S	201408	201903	-	8,734.00
LPT 1109 HEX2 CR	LPT 1109	04	3.8	92	201401	201903	High-Pressure Pump, CR System	0 445 025 013	R / CB18S2 / R100 / 10-7915S	201401	201903	-	32,239.00
LPT 1109 HEX2 CR	LPT 1109	04	3.8	92	201401	201903	Injector, CR System	0 445 110 497	CRI2-16	201401	201903	DBJ	9,113.00
LPT 1109 HEX2 CR	LPT 1109	04	3.8	92	201401	201903	Fuel Rail, CR System	0 445 224 071	HFR; CR / V4 / 10-23S	201401	201903	-	12,671.00
Prima LX 2523 K / T	Prima	06	5.9	272	201401	201903	High-Pressure Pump, CR System	0 445 025 608	CR / CB28 S2 / R250 / 10-789S	201401	201903	-	43,046.00
Prima LX 2523 K / T	Prima	06	5.9	272	201401	201903	Injector, CR System	0 445 120 369	CRIN2-16-BL	201401	201903	DBJ	16,912.00
Prima LX 2523 K / T	Prima	06	5.9	272	201401	201903	Fuel Rail, CR System	0 445 226 142	HFR; CR / V6 / 10-23S	201401	201903	-	14,750.00
Prima 4928 S	Prima	06	6.7	272	201401	201903	High-Pressure Pump, CR System	0 445 020 137	CR / CP3HS3 / L110 / 30-789S	201401	201903	-	69,039.00
Prima 4928 S	Prima	06	6.7	272	201401	201903	High-Pressure Pump, CR System	0 445 025 608	CR / CB28 S2 / R250 / 10-789S	201401	201903	-	43,046.00
Prima 4928 S	Prima	06	6.7	272	201401	201903	Injector, CR System	0 445 120 161	CRIN3-18	201401	201903	DBJ	19,867.00
Prima 4928 S	Prima	06	6.7	272	201401	201903	Injector, CR System	0 445 120 369	CRIN2-16-BL	201401	201903	DBJ	16,912.00
Prima 4928 S	Prima	06	6.7	272	201401	201903	Fuel Rail, CR System	0 445 226 044	CR / V6 / 10-23S	201401	201903	-	36,819.00
Prima LX 4923 S	Prima	06	6.7	272	201401	201903	High-Pressure Pump, CR System	0 445 020 150	CR / CP3S3 / L110 / 30-789S	201401	201903	-	43,029.00
Prima LX 4923 S	Prima	06	6.7	272	201401	201903	Injector, CR System	0 445 120 123	CRIN1-14 / 16	201401	201903	DBJ	20,695.00
Prima LX 4923 S	Prima	06	6.7	272	201401	201903	Fuel Rail, CR System	0 445 226 042	CR / V6 / 10-23S	201401	201903	-	11,012.00
Prima LX 4928 S	Prima	06	6.7	272	201401	201903	High-Pressure Pump, CR System	0 445 020 150	CR / CP3S3 / L110 / 30-789S	201401	201903	-	43,029.00
Prima LX 4928 S	Prima	06	6.7	272	201401	201903	Injector, CR System	0 445 120 123	CRIN1-14 / 16	201401	201903	DBJ	20,695.00
Prima LX 4928 S	Prima	06	6.7	272	201401	201903	Fuel Rail, CR System	0 445 226 042	CR / V6 / 10-23S	201401	201903	-	11,012.00
Ace Mega 0.8 D	Ace	02	0.8	12	201502	201903	Injector, CR System	0 445 110 698	CRI1-14	201502	201903	DBJ	9,742.00
Ace Mega 0.8 D	Ace	02	0.8	12	201502	201903	Fuel Rail, CR System	0 445 212 002	CR / V2 / 10-12S	201502	201903	-	10,283.00
Ace Mega 0.8 D	Ace	02	0.8	12	201502	201903	Injection Pump, Diesel	F 002 FC0 002	PFM 1C 60S 2501	201502	201903	-	10,233.00
Ace Super Mint 1.4	Ace	04	1.4	12	201503	201903	Injector, CR System	0 445 110 698	CRI1-14	201503	201903	DBJ	9,742.00
Ace Super Mint 1.4	Ace	04	1.4	12	201503	201903	Fuel Rail, CR System	0 445 212 002	CR / V2 / 10-12S	201503	201903	-	10,283.00
Ace Super Mint 1.4	Ace	04	1.4	12	201503	201903	Injection Pump, Diesel	F 002 FC0 002	PFM 1C 60S 2501	201503	201903	-	10,233.00
Bolt 1.3 TD	Bolt [F4]	04	1.2	55	201501	201903	High-Pressure Pump, CR System	0 445 010 422	CR / CP1H3 / R70 / 10-89S	201501	201903	-	33,946.00
Bolt 1.3 TD	Bolt [F4]	04	1.2	55	201501	201903	Injector, CR System	0 445 110 331	CRI2-16	201501	201903	DBN	14,103.00
Bolt 1.3 TD	Bolt [F4]	04	1.2	55	201501	201903	Fuel Rail, CR System	0 445 214 299	HFR; CR / V4 / 10-12S	201501	201903	-	12,703.00
Toyota													
Corolla 1.4 D-4D	Corolla [E15]	04	1.4	66	200611	201304	High-Pressure Pump, CR System						
Corolla 1.4 D-4D	Corolla [E15]	04	1.4	66	200611	201304	High-Pressure Pump, CR System	0 445 010 105	CR / CP3S3 / R70 / 20-78911S	200611	200811	-	82,445.00



Toyota



Toyota

							Product		Type				MRP (₹)
Toyota													
Corolla 1.4 D-4D	Corolla [E15]	04	1.4	66	200611	201304	Fuel Rail, CR System	0 445 010 214	CR / CP3S3 / R70 / 20-78911S	200812	201304	-	-
Corolla 1.4 D-4D	Corolla [E15]	04	1.4	66	200611	201304	Fuel Rail, CR System	0 445 214 133	CR / V4 / 10-12S	200611	200811	-	-
Etios 1.4D Liva	Etios	04	1.4	50	201109	201903	High-Pressure Pump, CR System	0 445 214 358	HFR; CR / V4 / 10-12S	200812	201304	-	5,062.00
Etios 1.4D Liva	Etios	04	1.4	50	201109	201903	Injector, CR System	0 445 010 258	CR / CP3S3 / R70 / 20-78911S	201109	201903	-	60,521.00
Etios 1.4D Liva	Etios	04	1.4	50	201109	201903	Fuel Rail, CR System	0 445 116 053	CRI3-18	201109	201903	DBN	26,293.00
Etios 1.4D	Etios	04	1.4	50	201109	201903	High-Pressure Pump, CR System	0 445 214 177	CR / V4 / 10-12S	201109	201903	-	-
Etios 1.4D	Etios	04	1.4	50	201109	201903	Injector, CR System	0 445 010 258	CR / CP3S3 / R70 / 20-78911S	201109	201903	-	60,521.00
Etios 1.4D	Etios	04	1.4	50	201109	201903	Fuel Rail, CR System	0 445 116 053	CRI3-18	201109	201903	DBN	26,293.00
Corolla Altis 1.4TD	Corolla Altis [E17]	04	1.4	66	201405	201903	High-Pressure Pump, CR System	0 445 214 177	CR / V4 / 10-12S	201109	201903	-	-
Corolla Altis 1.4TD	Corolla Altis [E17]	04	1.4	66	201405	201903	Injector, CR System	0 445 010 258	CR / CP3S3 / R70 / 20-78911S	201405	201903	-	60,521.00
Corolla Altis 1.4TD	Corolla Altis [E17]	04	1.4	66	201405	201903	Fuel Rail, CR System	0 445 116 053	CRI3-18	201405	201903	DBN	26,293.00
Etios Cross 1.4TD	Etios Cross [EFC]	04	1.4	50	201405	201903	High-Pressure Pump, CR System	0 445 214 177	CR / V4 / 10-12S	201405	201903	-	-
Etios Cross 1.4TD	Etios Cross [EFC]	04	1.4	50	201405	201903	Injector, CR System	0 445 010 258	CR / CP3S3 / R70 / 20-78911S	201405	201903	-	60,521.00
Etios Cross 1.4TD	Etios Cross [EFC]	04	1.4	50	201405	201903	Fuel Rail, CR System	0 445 116 053	CRI3-18	201405	201903	DBN	26,293.00
Volvo													
XC90 I D5 AWD	XC90 I	05	2.4	120	200301	200607	High-Pressure Pump, CR System	0 445 010 110	CR / CP3S3 / R110 / 30-8911S	200301	200607	-	-
XC90 I D5 AWD	XC90 I	05	2.4	120	200301	200607	Injector, CR System	0 445 110 077	CRI2.1 (1,600 Bar)	200301	200607	DBJ	-
XC90 I D5 AWD	XC90 I	05	2.4	120	200301	200607	Fuel Rail, CR System	0 445 215 014	CR / V5 / 10-23S	200301	200607	-	-
S80 I 2.4D	S80 I	05	2.4	166	200110	200607	High-Pressure Pump, CR System	0 445 010 043	CR / CP3S3 / R110 / 30-789S	200110	200607	-	-
S80 I 2.4D	S80 I	05	2.4	166	200110	200607	Injector, CR System	0 445 110 077	CRI2.1 (1,600 Bar)	200110	200607	DBJ	-
S80 I 2.4D	S80 I	05	2.4	166	200110	200607	Fuel Rail, CR System	0 445 215 009	CR / V5 / 10-23S	200110	200607	-	-
S60 I 2.4D	S60 I	05	2.4	96	200608	200907	High-Pressure Pump, CR System	0 445 010 110	CR / CP3S3 / R110 / 30-8911S	200608	200907	-	-
S60 I 2.4D	S60 I	05	2.4	96	200608	200907	Injector, CR System	0 445 110 251	CRI2.1 (1,600 Bar)	200608	200907	DBJ	-
S60 I 2.4D	S60 I	05	2.4	96	200608	200907	Fuel Rail, CR System	0 445 215 022	CR / V5 / 10-12V	200608	200907	-	-
S80 II D5 AWD	S80 II	05	2.4	175	200603	200907	High-Pressure Pump, CR System	0 445 010 110	CR / CP3S3 / R110 / 30-8911S	200603	200907	-	-
S80 II D5 AWD	S80 II	05	2.4	175	200603	200907	Injector, CR System	0 445 110 251	CRI2.1 (1,600 Bar)	200603	200907	DBJ	-
S80 II D5 AWD	S80 II	05	2.4	175	200603	200907	Fuel Rail, CR System	0 445 215 022	CR / V5 / 10-12V	200603	200907	-	-
XC60 2.4D AWD	XC60 I	05	2.4	120	200903	200907	High-Pressure Pump, CR System	0 445 010 110	CR / CP3S3 / R110 / 30-8911S	200903	200907	-	-
XC60 2.4D AWD	XC60 I	05	2.4	120	200903	200907	Injector, CR System	0 445 110 298	CRI2-16	200903	200907	DBJ	24,401.00
XC60 2.4D AWD	XC60 I	05	2.4	120	200903	200907	Fuel Rail, CR System	0 445 215 022	CR / V5 / 10-12V	200903	200907	-	-
B 7 R Urbano	B 7 R	06	7.1	191	200801	201112	Injector, CR System	0 445 120 074	CRIN2-16	200801	201112	DBN	25,662.00
B 7 R Urbano	B 7 R	06	7.1	191	200801	201112	Fuel Rail, CR System	0 445 226 071	CR / V6 / 10-23S	200801	201112	-	-
XC60 D5 AWD	XC60 I	05	2.4	120	201108	201507	High-Pressure Pump, CR System	0 445 010 680	CR / CP4S2 / R90 / 40	201108	201507	-	73,675.00
XC60 D5 AWD	XC60 I	05	2.4	120	201108	201507	Injector, CR System	0 445 116 016	CRI3-18	201108	201507	DBJ	25,662.00
XC60 D5 AWD	XC60 I	05	2.4	120	201108	201507	Fuel Rail, CR System	0 445 215 024	CR / V5 / 10-12S	201108	201507	-	20,629.00
XC60 D3 DRiVe	XC60 I	05	2.0	120	201108	201207	High-Pressure Pump, CR System	0 445 010 680	CR / CP4S2 / R90 / 40	201108	201207	-	73,675.00
XC60 D3 DRiVe	XC60 I	05	2.0	120	201108	201207	Injector, CR System	0 445 116 045	CRI3-18	201108	201207	DBJ	24,006.00
XC60 D3 DRiVe	XC60 I	05	2.0	120	201108	201207	Fuel Rail, CR System	0 445 215 024	CR / V5 / 10-12S	201108	201207	-	20,629.00
S60 II D4	S60 II	05	2.0	177	201108	201507	High-Pressure Pump, CR System	0 445 010 680	CR / CP4S2 / R90 / 40	201108	201507	-	73,675.00
S60 II D4	S60 II	05	2.0	177	201108	201507	Injector, CR System	0 445 116 045	CRI3-18	201108	201507	DBJ	24,006.00
S60 II D4	S60 II	05	2.0	177	201108	201507	Fuel Rail, CR System	0 445 215 024	CR / V5 / 10-12S	201108	201507	-	20,629.00
V60 D4	V60	05	2.0	120	201109	201508	High-Pressure Pump, CR System	0 445 010 680	CR / CP4S2 / R90 / 40	201109	201508	-	73,675.00
V60 D4	V60	05	2.0	120	201109	201508	Injector, CR System	0 445 116 045	CRI3-18	201109	201508	DBJ	24,006.00
V60 D4	V60	05	2.0	120	201109	201508	Fuel Rail, CR System	0 445 215 024	CR / V5 / 10-12S	201109	201508	-	20,629.00
S80 II D4	S80 II	05	2.0	175	201208	201608	High-Pressure Pump, CR System	0 445 010 680	CR / CP4S2 / R90 / 40	201208	201608	-	73,675.00



							Product		Type				MRP (₹)
Volvo													
S80 II D4	S80 II	05	2.0	175	201208	201608	Injector, CR System	0 445 116 045	CRI3-18	201208	201608	DBJ	24,006.00
S80 II D4	S80 II	05	2.0	175	201208	201608	Fuel Rail, CR System	0 445 215 024	CR / V5 / 10-12S	201208	201608	-	20,629.00
V40 CC 2.0 D3	V40 Cross Country	05	2.0	110	201301	201508	High-Pressure Pump, CR System	0 445 010 680	CR / CP4S2 / R90 / 40	201301	201508	-	73,675.00
V40 CC 2.0 D3	V40 Cross Country	05	2.0	110	201301	201508	Injector, CR System	0 445 116 045	CRI3-18	201301	201508	DBJ	24,006.00
V40 CC 2.0 D3	V40 Cross Country	05	2.0	110	201301	201508	Fuel Rail, CR System	0 445 215 024	CR / V5 / 10-12S	201301	201508	-	20,629.00
V40 2.0 TD D3 Cross Country	V40 Cross Country	05	2.0	110	201202	201903	Injector, CR System	0 445 116 045	CRI3-18	201202	201903	DBJ	24,006.00
S60 CC D5 AWD	S60 Cross Country	05	2.4	140	201508	201903	High-Pressure Pump, CR System	0 445 010 680	CR / CP4S2 / R90 / 40	201508	201903	-	73,675.00
S60 CC D5 AWD	S60 Cross Country	05	2.4	140	201508	201903	Injector, CR System	0 445 116 016	CRI3-18	201508	201903	DBJ	25,662.00
S60 CC D5 AWD	S60 Cross Country	05	2.4	140	201508	201903	Fuel Rail, CR System	0 445 215 024	CR / V5 / 10-12S	201508	201903	-	20,629.00
Volkswagen													
Touareg 3.0 TDI	Touareg [7LA]	06	3.0	228	200411	200611	High-Pressure Pump, CR System	0 445 010 331	CR / CP1H3 / R85 / 10-789S	200512	200611	-	67,140.00
Touareg 3.0 TDI	Touareg [7LA]	06	3.0	228	200411	200611	High-Pressure Pump, CR System	0 445 010 343	CR / CP3S3 / R90 / 20-789S	200411	200511	-	75,532.00
Touareg 3.0 TDI	Touareg [7LA]	06	3.0	228	200411	200611	Injector, CR System	0 445 115 051	CRI3-16	200411	200611	DBJ	-
Touareg 3.0 TDI	Touareg [7LA]	06	3.0	228	200411	200611	Fuel Rail, CR System	F 00R 001 650	WFR (F)	200411	200511	LAB	-
Touareg 3.0 TDI	Touareg [7LA]	06	3.0	228	200411	200611	Fuel Rail, CR System	F 00R 001 823	WFR (F)	200411	200511	RAB	-
Passat 2.0 TDI	Passat [3C2]	04	2.0	103	200805	201007	High-Pressure Pump, CR System	0 445 010 543	CR / CP4S1 / R35 / 20S	200805	201007	-	67,053.00
Passat 2.0 TDI	Passat [3C2]	04	2.0	103	200805	201007	Injector, CR System	0 445 116 029	CRI3-18	200805	201007	DBJ	25,662.00
Jetta 2.0 TDI	Jetta [162]	04	2.0	103	201010	201407	High-Pressure Pump, CR System	0 445 010 565	CR / CP4S1 / R40 / 20S	201010	201407	-	65,397.00
Jetta 2.0 TDI	Jetta [162]	04	2.0	103	201010	201407	Injector, CR System	0 445 110 646	CRI2-18	201010	201407	DBJ	23,106.00
Passat 2.0 TDI	Passat [362]	04	2.0	125	201011	201412	DNOX Dosing Module	0 444 021 021	DNXP / DM / 12 / S	201011	201412	-	-
Passat 2.0 TDI	Passat [362]	04	2.0	125	201011	201412	High-Pressure Pump, CR System	0 445 010 565	CR / CP4S1 / R40 / 20S	201011	201412	-	65,397.00
Passat 2.0 TDI	Passat [362]	04	2.0	125	201011	201412	Injector, CR System	0 445 110 646	CRI2-18	201011	201412	DBJ	23,106.00
Passat 2.0 TDI	Passat [362]	04	2.0	125	201011	201412	DNOX Supply Module	F 01C 600 194	DNOX3.1 Fördermodul / Supply Module	201011	201412	-	-
Touareg 3.0 TDI	Touareg [7P5]	06	3.0	180	201105	201412	DNOX Dosing Module	0 444 021 021	DNXP / DM / 12 / S	201105	201412	-	-
Touareg 3.0 TDI	Touareg [7P5]	06	3.0	180	201105	201412	High-Pressure Pump, CR System	0 445 010 676	CR / CP4HS2 / R75 / 40	201105	201412	-	-
Touareg 3.0 TDI	Touareg [7P5]	06	3.0	180	201105	201412	Injector, CR System	0 445 117 021	CRI3-20	201105	201412	DBJ	24,834.00
Touareg 3.0 TDI	Touareg [7P5]	06	3.0	180	201105	201412	DNOX Supply Module	F 01C 600 194	DNOX3.1 Fördermodul / Supply Module	201105	201412	-	-
Jetta 2.0D	Jetta	04	2.0	53	201003	201108	High-Pressure Pump, CR System	0 445 010 566	CR / CP4S1 / R40 / 20S	201003	201108	-	-
Jetta 2.0D	Jetta	04	2.0	53	201003	201108	Injector, CR System	0 445 110 368	CRI2-18	201003	201108	DBJ	-
Tiguan 2.0 TDI 4Motion	Tiguan [AD1]	04	2.0	140	201601	201903	DNOX Dosing Module	0 444 025 042	DNOX DM3 PC	201601	201903	-	-
Tiguan 2.0 TDI 4Motion	Tiguan [AD1]	04	2.0	140	201601	201903	High-Pressure Pump, CR System	0 445 010 583	CR / CP4HS1 / R35 / 10-S	201601	201903	-	71,396.00
Tiguan 2.0 TDI 4Motion	Tiguan [AD1]	04	2.0	140	201601	201903	Injector, CR System	0 445 110 470	CRI2-20	201601	201903	DBJ	24,006.00
Tiguan 2.0 TDI 4Motion	Tiguan [AD1]	04	2.0	140	201601	201903	DNOX Supply Module	F 01C 600 266	DNOX5 Pump EN / Pump Kit	201601	201903	-	-

Bosch CR Systems Spare Parts List

Bosch CR Systems Spare Parts List - CR Pumps

Type	Part Number	Part Number	Description	Spare	Quant	MRP(₹)
CB18	0 445 025 013	0 928 400 820	Metering Unit	B	1	3,422.00
		F 019 D01 303	High Pressure Assembly	B	2	2,000.00
		F 019 D01 502	Supply Pump	B	1	3,000.00
	0 445 025 025	0 928 400 820	Metering Unit	B	1	3,422.00
		F 019 D01 303	High Pressure Assembly	B	2	2,000.00
		F 019 D01 502	Supply Pump	B	1	3,000.00
	0 445 025 043	0 928 400 820	Metering Unit	B	1	3,422.00
		F 019 D01 329	High Pressure Assembly	B	2	2,000.00
		F 019 D01 502	Supply Pump	B	1	3,000.00
	0 445 025 058	0 928 400 818	Metering Unit	B	1	2,520.00
		F 019 D01 329	High Pressure Assembly	B	2	2,000.00
		F 019 D01 502	Supply Pump	B	1	3,000.00
0 445 025 065	0 928 400 820	Metering Unit	B	1	3,422.00	
	F 019 D01 329	High Pressure Assembly	B	2	2,000.00	
	F 019 D01 502	Supply Pump	B	1	3,000.00	
CB28	0 445 025 608	0 928 400 689	Metering Unit	B	1	2,705.00
		F 019 D04 029	Supply Pump	B	1	4,000.00
		F 019 D04 035	Overflow Valve	B	1	1,300.00
		F 019 D04 036	High Pressure Assembly	B	2	2,500.00
	0 445 025 610	0 928 400 689	Metering Unit	B	1	2,705.00
		F 019 D04 029	Supply Pump	B	1	4,000.00
		F 019 D04 035	Overflow Valve	B	1	1,300.00
		F 019 D04 036	High Pressure Assembly	B	2	2,500.00
	0 445 025 616	0 928 400 689	Metering Unit	B	1	2,705.00
		F 019 D04 030	Supply Pump	B	1	4,000.00
		F 019 D04 035	Overflow Valve	B	1	1,300.00
		F 019 D04 036	High Pressure Assembly	B	2	2,500.00
CP1	0 445 010 011	0 281 002 480	Pressure Regulator	B	1	7,940.00
		F 01M 101 349	Pump Element	B	3	2,277.00
	0 445 010 043	0 440 020 031	Gear Pump	B	1	10,700.00
		0 928 400 616	Metering Unit	B	1	7,820.00
	0 445 010 142	F 00N 200 798	Overflow Valve	B	1	1,240.00
		0 928 400 669	Metering Unit	B	1	5,611.00
	0 445 010 170	F 01M 100 869	Cylinder Head	B	3	3,899.00
		0 440 020 075	Gear Pump	B	1	9,989.00
	0 445 010 223	0 928 400 679	Metering Unit	B	1	5,973.00
		F 00N 200 798	Overflow Valve	B	1	1,240.00
		F 01M 101 089	Cylinder Head	B	3	3,529.00
	0 445 010 276	0 440 020 075	Gear Pump	B	1	9,989.00
		0 928 400 812	Metering Unit	B	1	7,821.00
		F 00N 200 798	Overflow Valve	B	1	1,240.00
	0 445 010 278	F 01M 100 869	Cylinder Head	B	3	3,899.00
		F 00R 0P1 188	Piston	B	1	144.00
	0 445 010 279	F 00R 0P1 249	Valve Assembly	B	3	753.00
		F 00R 0P1 188	Piston	B	1	144.00
	0 445 010 280	F 00R 0P1 249	Valve Assembly	B	3	753.00
		F 00R 0P1 189	Piston	B	1	140.00
	0 445 010 290	F 00R 0P1 249	Valve Assembly	B	3	753.00
		F 00R 0P1 189	Piston	B	1	140.00
	0 445 010 290	0 440 020 087	Gear Pump	B	1	11,760.00





Bosch CR Systems Spare Parts List - CR Pumps

Type	Part Number	Part Number	Description	Spare	Quant	MRP(₹)
CP1		F 00N 200 798	Overflow Valve	B	1	1,240.00
		F 01M 100 869	Cylinder Head	B	3	3,899.00
	0 445 010 293	0 928 400 680	Metering Unit	B	1	6,344.00
		F 01M 100 927	Cylinder Head	B	3	3,991.00
	0 445 010 298	0 440 020 105	Gear Pump	B	1	4,961.00
		0 928 400 664	Metering Unit	B	1	5,829.00
		F 00N 200 798	Overflow Valve	B	1	1,240.00
		F 01M 101 588	Cylinder Head	B	3	3,687.00
	0 445 010 310	0 928 400 680	Metering Unit	B	1	6,344.00
		F 01M 100 927	Cylinder Head	B	3	3,991.00
	0 445 010 322	0 928 400 763	Metering Unit	B	1	7,795.00
		F 00N 201 320	Overflow Valve	B	1	1,593.00
	0 445 010 331	0 440 020 079	Gear Pump	B	1	10,694.00
		F 00N 200 798	Overflow Valve	B	1	1,240.00
		F 01M 100 869	Cylinder Head	B	3	3,899.00
	0 445 010 332	0 928 400 669	Metering Unit	B	1	5,611.00
		F 01M 100 927	Cylinder Head	B	3	3,991.00
	0 445 010 342	0 928 400 682	Metering Unit	B	1	7,394.00
		F 00N 201 320	Overflow Valve	B	1	1,593.00
	0 445 010 343	0 440 020 065	Gear Pump	B	1	11,417.00
		0 928 400 676	Metering Unit	B	1	7,394.00
		F 00N 200 798	Overflow Valve	B	1	1,240.00
	0 445 010 367	0 440 020 087	Gear Pump	B	1	11,760.00
		0 928 400 664	Metering Unit	B	1	5,829.00
		F 00N 200 798	Overflow Valve	B	1	1,240.00
		F 01M 100 947	Cylinder Head	B	3	3,529.00
	0 445 010 386	F 00R OP1 175	Cylinder Head	B	3	-
		F 00R OP1 187	Piston	B	1	-
		F 00R OP1 249	Valve Assembly	B	3	753.00
	0 445 010 393	0 928 400 680	Metering Unit	B	1	6,344.00
	0 445 010 413	F 00R OP1 188	Piston	B	1	144.00
		F 00R OP1 249	Valve Assembly	B	3	753.00
	0 445 010 419	0 440 020 087	Gear Pump	B	1	11,760.00
		0 928 400 709	Metering Unit	B	1	4,230.00
		F 01M 100 869	Cylinder Head	B	3	3,899.00
		F 01M 101 962	Cylinder Head	B	3	3,733.00
	0 445 010 420	F 01M 102 134	Overflow Valve	B	1	660.00
		0 440 020 087	Gear Pump	B	1	11,760.00
		0 928 400 636	Metering Unit	B	1	4,230.00
		F 01M 101 781	Cylinder Head	B	3	4,000.00
		F 01M 102 134	Overflow Valve	B	1	660.00
		F 01M 102 262	Cylinder Head	B	3	3,733.00
	0 445 010 421	0 928 400 680	Metering Unit	B	1	6,344.00
		F 01M 102 141	Cylinder Head	B	3	4,213.00
	0 445 010 422	0 928 400 680	Metering Unit	B	1	6,344.00
		F 01M 100 927	Cylinder Head	B	3	3,991.00
		F 01M 101 974	Cylinder Head	B	3	4,380.00
0 445 010 467	0 928 400 680	Metering Unit	B	1	6,344.00	
	F 01M 102 141	Cylinder Head	B	3	4,213.00	
CP3	0 445 010 105	0 440 020 056	Gear Pump	B	1	10,630.00
		0 928 400 698	Metering Unit	B	1	7,802.00



Bosch CR Systems Spare Parts List - CR Pumps

Type	Part Number	Part Number	Description	Spare	Quant	MRP(₹)	
CP3		F 00N 200 798	Overflow Valve	B	1	1,240.00	
	0 445 010 126	0 928 400 498	Metering Unit	B	1	7,394.00	
		F 00N 201 320	Overflow Valve	B	1	1,593.00	
	0 445 010 135	0 928 400 719	Metering Unit	B	1	5,830.00	
		F 00N 201 320	Overflow Valve	B	1	1,593.00	
	0 445 010 143	0 928 400 508	Metering Unit	B	1	5,120.00	
	0 445 010 145	0 928 400 677	Metering Unit	B	1	5,120.00	
		F 00N 201 320	Overflow Valve	B	1	1,593.00	
	0 445 010 152	0 928 400 738	Metering Unit	B	1	5,830.00	
		F 00N 201 320	Overflow Valve	B	1	1,593.00	
	0 445 010 213	0 440 020 039	Gear Pump	B	1	5,523.00	
		F 00N 200 798	Overflow Valve	B	1	1,240.00	
	0 445 010 214	0 440 020 056	Gear Pump	B	1	10,630.00	
		0 928 400 698	Metering Unit	B	1	7,802.00	
		F 00N 200 798	Overflow Valve	B	1	1,240.00	
	0 445 010 258	0 440 020 056	Gear Pump	B	1	10,630.00	
		0 928 400 698	Metering Unit	B	1	7,802.00	
		F 00N 200 798	Overflow Valve	B	1	1,240.00	
	0 445 020 045	0 440 020 096	Gear Pump	B	1	12,844.00	
		0 928 400 712	Metering Unit	B	1	5,457.00	
		F 00N 200 798	Overflow Valve	B	1	1,240.00	
	0 445 020 101	0 440 020 118	Gear Pump	B	1	12,844.00	
		0 928 400 772	Metering Unit	B	1	2,081.00	
		F 00N 202 450	Overflow Valve	B	1	1,417.00	
	0 445 020 137	0 440 020 116	Gear Pump	B	1	10,477.00	
		F 00N 202 450	Overflow Valve	B	1	1,417.00	
	0 445 020 141	0 440 020 118	Gear Pump	B	1	12,844.00	
		0 928 400 771	Metering Unit	B	1	5,669.00	
		F 00N 202 450	Overflow Valve	B	1	1,417.00	
	0 445 020 150	0 440 020 096	Gear Pump	B	1	12,844.00	
		0 928 400 712	Metering Unit	B	1	5,457.00	
		F 00N 200 798	Overflow Valve	B	1	1,240.00	
	0 445 020 204	0 440 020 092	Gear Pump	B	1	9,924.00	
		0 928 400 754	Metering Unit	B	1	3,950.00	
		F 00N 200 798	Overflow Valve	B	1	1,240.00	
	CP4	0 445 010 530	1 467 C45 003	Overflow Valve	B	1	1,417.00
		0 445 010 543	1 467 C45 003	Overflow Valve	B	1	1,417.00
		0 445 010 544	1 467 C45 003	Overflow Valve	B	1	1,417.00
		0 445 010 548	1 467 C45 004	Overflow Valve	B	1	1,417.00
		0 445 010 554	1 467 C45 003	Overflow Valve	B	1	1,417.00
		0 445 010 558	1 467 C45 003	Overflow Valve	B	1	1,417.00
		0 445 010 565	1 467 C45 003	Overflow Valve	B	1	1,417.00
		0 445 010 568	1 467 C45 008	Overflow Valve	B	1	1,417.00
		0 445 010 580	1 467 C45 003	Overflow Valve	B	1	1,417.00
		0 445 010 583	1 467 C45 006	Overflow Valve	B	1	1,417.00
		0 445 010 595	1 467 C45 003	Overflow Valve	B	1	1,417.00
		0 445 010 664	1 467 C45 004	Overflow Valve	B	1	1,417.00
0 445 010 665		1 467 C45 003	Overflow Valve	B	1	1,417.00	
0 445 010 666		1 467 C45 003	Overflow Valve	B	1	1,417.00	
0 445 010 675		1 467 C45 008	Overflow Valve	B	1	1,417.00	
0 445 010 680		1 462 C00 994	Metering Unit	B	1	7,798.00	



Bosch CR Systems Spare Parts List - CR Pumps

Type	Part Number	Part Number	Description	Spare	Quant	MRP(₹)
		1 467 C45 003	Overflow Valve	B	1	1,417.00
	0 445 010 684	1 462 C00 996	Metering Unit	B	1	7,800.00
		1 467 C45 006	Overflow Valve	B	1	1,417.00
	0 445 010 688	1 467 C45 003	Overflow Valve	B	1	1,417.00
	0 445 010 704	1 467 C45 003	Overflow Valve	B	1	1,417.00
	0 445 010 735	1 467 C45 003	Overflow Valve	B	1	1,417.00
	0 445 010 740	1 467 C45 013	Overflow Valve	B	1	1,417.00
	0 445 010 757	1 467 C45 003	Overflow Valve	B	1	1,417.00
	0 445 010 767	1 467 C45 003	Overflow Valve	B	1	1,417.00
	0 445 010 771	1 467 C45 010	Overflow Valve	B	1	1,420.00
	0 445 010 784	1 467 C45 003	Overflow Valve	B	1	1,417.00
	0 445 010 786	1 467 C45 004	Overflow Valve	B	1	1,417.00
	0 445 010 794	1 467 C45 003	Overflow Valve	B	1	1,417.00
	0 445 010 801	1 467 C45 003	Overflow Valve	B	1	1,417.00
	0 445 010 820	1 467 C45 004	Overflow Valve	B	1	1,417.00
	0 445 010 832	1 467 C45 004	Overflow Valve	B	1	1,417.00
	0 445 010 852	1 467 C45 003	Overflow Valve	B	1	1,417.00
	0 445 010 854	1 467 C45 003	Overflow Valve	B	1	1,417.00
	0 445 020 515	1 467 C45 004	Overflow Valve	B	1	1,417.00
CPN2.2	0 445 020 091	0 440 020 103	Gear Pump	B	1	30,961.00
		0 928 400 617	Metering Unit	B	1	4,093.00
		2 469 403 530	Overflow Valve	B	1	888.00
		2 469 403 622	High Pressure Assembly	B	2	10,231.00

Bosch CR Systems Spare Parts List - CRI Injectors

CRI Injector	Valve Set MRP (₹)	Nozzle MRP (₹)
0 445 110 011	F 00V C01 001 4,503.00	0 433 175 163 3,063.00
0 445 110 024	F 00V C01 001 4,503.00	0 433 175 163 3,063.00
0 445 110 049	F 00V C01 043 4,330.00	0 433 171 618 3,060.00
0 445 110 054	F 00V C01 309 4,503.00	0 433 175 314 3,063.00
0 445 110 077	F 00V C01 301 4,503.00	0 433 175 310 3,129.00
0 445 110 083	F 00V C01 038 4,452.00	0 433 171 774 3,063.00
0 445 110 101	F 00V C01 044 3,373.00	0 433 171 654 3,063.00
0 445 110 130	F 00V C01 043 4,330.00	0 433 171 773 3,510.00
0 445 110 155	F 00V C01 328 4,503.00	0 433 171 800 3,129.00
0 445 110 176	F 00V C01 328 4,503.00	0 433 171 800 3,129.00
0 445 110 183	F 00V C01 334 3,855.00	0 433 171 889 3,616.00
0 445 110 199	F 00V C01 051 3,659.00	0 433 175 430 4,122.00
0 445 110 205	F 00V C01 051 3,659.00	0 433 171 913 3,063.00
0 445 110 249	F 00V C01 349 4,503.00	0 433 171 935 3,756.00
0 445 110 251	F 00V C01 345 4,503.00	0 433 171 923 4,125.00
0 445 110 253	F 00V C01 346 3,855.00	0 433 171 933 3,741.00
0 445 110 255	F 00V C01 347 3,855.00	0 433 171 931 3,013.00
0 445 110 260	F 00V C01 334 3,855.00	0 433 171 940 3,939.00
0 445 110 269	F 00V C01 346 3,855.00	0 433 171 980 3,824.00
0 445 110 298	F 00V C01 366 3,742.00	0 433 172 048 3,824.00
0 445 110 310	F 00V C01 334 3,855.00	0 433 172 029 3,616.00
0 445 110 316	F 00V C01 334 3,855.00	0 433 171 889 3,616.00
0 445 110 319	F 00V C01 347 3,855.00	0 433 172 065 3,939.00
0 445 110 331	F 00V C01 334 3,855.00	0 433 171 889 3,616.00
0 445 110 425	F 00V C01 369 3,855.00	0 433 172 067 3,616.00





Bosch CR Systems Spare Parts List - CRI Injectors

CRI Injector	Valve Set MRP (₹)	Nozzle MRP (₹)
0 445 110 439	F 00Z C01 307 2,013.00	0 433 172 276 2,454.00
0 445 110 450	F 00V C01 369 3,855.00	0 433 172 067 3,616.00
0 445 110 496	F 00Z C01 319 1,759.00	0 433 172 455 2,762.00
0 445 110 497	F 00Z C01 305 2,115.00	0 433 172 321 2,465.00
0 445 110 498	F 00Z C01 302 2,057.00	0 433 172 317 2,465.00
0 445 110 519	F 00Z C01 338 -	0 433 172 341 1,474.00
0 445 110 547	F 00Z C01 317 1,299.00	0 433 172 391 3,519.00
0 445 110 557	F 00Z C01 319 1,759.00	0 433 172 396 2,281.00
0 445 110 580	F 00Z C01 319 1,759.00	0 433 172 269 2,235.00
0 445 110 600	F 00V C01 357 4,503.00	0 433 172 204 4,257.00
0 445 110 601	F 00V C01 357 4,503.00	0 433 172 012 3,824.00
0 445 110 698	F 00Z C01 319 1,759.00	0 433 172 261 2,144.00
0 445 110 709	F 00Z C01 330 3,057.00	0 433 172 492 1,653.00



Bosch CR Systems Spare Parts List - CRIN Injectors

CRIN Injector	Valve Set MRP (₹)	Nozzle MRP (₹)
0 445 120 064	F 00R J01 451 5,357.00	0 433 171 963 4,354.00
0 445 120 066	F 00R J01 479 4,930.00	0 433 171 964 3,973.00
0 445 120 067	F 00R J01 479 4,930.00	0 433 171 968 3,510.00
0 445 120 074	F 00R J01 451 5,357.00	0 433 171 965 4,354.00
0 445 120 101	F 00R J02 235 5,357.00	0 433 172 089 2,484.00
0 445 120 121	F 00R J01 941 3,449.00	0 433 172 047 2,989.00
0 445 120 123	F 00R J02 130 3,449.00	0 433 175 481 4,040.00
0 445 120 133	F 00R J01 941 3,449.00	0 433 172 051 4,002.00
0 445 120 161	F 00R J02 004 5,960.00	0 433 172 155 4,185.00
0 445 120 167	F 00R J02 377 4,197.00	0 433 172 098 4,586.00
0 445 120 186	F 00R J02 449 4,967.00	0 433 172 119 4,089.00
0 445 120 231	F 00R J02 130 3,449.00	0 433 175 510 3,659.00
0 445 120 233	F 00R J02 429 4,553.00	0 433 172 208 6,211.00
0 445 120 314	F 00R J02 235 5,357.00	0 433 172 275 4,205.00
0 445 120 369	F 00R J02 472 3,922.00	0 433 172 451 6,500.00
0 445 120 398	F 00R J02 035 2,865.00	0 433 172 478 4,500.00
0 445 120 404	F 00R J02 472 3,922.00	0 433 172 490 4,970.00
0 445 120 253	F 00R J01 941 3,449.00	0 433 172 205 3,300.00
0 445 120 251	F 00R J02 130 3,449.00	0 433 172 198 3,900.00
0 445 120 329	F 00R J02 472 3,922.00	0 433 172 319 -
0 445 120 236	F 00R J01 941 3,449.00	0 433 172 203 3,571.00
0 445 120 442	F 00R J02 561 5,348.00	0 433 172 548 3,500.00
0 445 120 449	F 00R J02 429 4,553.00	0 433 172 551 4,500.00

Bosch CR Systems Spare Parts List - Rail

Part Number	Part Number	Description	Description	MRP (₹)
0 445 212 002	0 281 006 200	0 281 006 200	Pressure Regulator	6,654.00
	0 281 006 047	0 281 006 047	Pressure Sensor	2,836.00
0 445 213 006	0 281 002 718	0 281 002 718	Pressure Regulator	12,973.00
	0 281 002 909	0 281 002 909	Pressure Sensor	6,803.00
0 445 213 025	0 281 002 937	0 281 002 937	Pressure Sensor	6,790.00
	0 281 006 425	0 281 006 425	Pressure Sensor	7,087.00
0 445 213 026	0 281 002 949	0 281 002 949	Pressure Regulator	9,921.00
	0 281 006 447	0 281 006 447	Pressure Sensor	6,576.00
0 445 213 029	0 281 002 937	0 281 002 937	Pressure Sensor	6,790.00
	1 110 010 028	1 110 010 028	Pressure Limiting Valve	2,747.00
0 445 213 030	0 281 002 937	0 281 002 937	Pressure Sensor	6,790.00
0 445 214 044	0 281 002 584	0 281 002 584	Pressure Regulator	12,189.00
	0 281 006 158	0 281 006 158	Pressure Sensor	7,638.00
0 445 214 063	0 281 002 698	0 281 002 698	Pressure Regulator	4,166.00
	0 281 002 942	0 281 002 942	Pressure Sensor	2,000.00
0 445 214 076	0 281 006 018	0 281 006 018	Pressure Sensor	7,087.00
	1 110 010 018	1 110 010 018	Pressure Limiting Valve	6,399.00
0 445 214 084	0 281 002 507	0 281 002 507	Pressure Regulator	7,214.00
	0 281 002 863	0 281 002 863	Pressure Sensor	7,638.00
0 445 214 086	0 281 002 507	0 281 002 507	Pressure Regulator	7,214.00
	0 281 006 158	0 281 006 158	Pressure Sensor	7,638.00
0 445 214 105	0 281 002 507	0 281 002 507	Pressure Regulator	7,214.00
0 445 214 110	0 281 002 507	0 281 002 507	Pressure Regulator	7,214.00
	0 281 002 863	0 281 002 863	Pressure Sensor	7,638.00
0 445 214 135	0 281 002 949	0 281 002 949	Pressure Regulator	9,921.00
0 445 214 141	0 281 006 158	0 281 006 158	Pressure Sensor	7,638.00
0 445 214 155	0 281 002 800	0 281 002 800	Pressure Regulator	7,936.00
0 445 214 162	0 281 002 494	0 281 002 494	Pressure Regulator	9,235.00
	0 281 002 842	0 281 002 842	Pressure Sensor	6,821.00
0 445 214 168	0 281 002 937	0 281 002 937	Pressure Sensor	6,790.00
0 445 214 177	0 281 006 015	0 281 006 015	Pressure Regulator	5,459.00
	0 281 006 163	0 281 006 163	Pressure Sensor	7,097.00
0 445 214 180	0 281 002 863	0 281 002 863	Pressure Sensor	7,638.00
0 445 214 182	0 281 002 738	0 281 002 738	Pressure Regulator	9,921.00
0 445 214 189	0 281 006 034	0 281 006 034	Pressure Regulator	9,213.00
	0 281 002 982	0 281 002 982	Pressure Sensor	7,090.00
0 445 214 194	0 281 002 507	0 281 002 507	Pressure Regulator	7,214.00
	0 281 006 158	0 281 006 158	Pressure Sensor	7,638.00
0 445 214 197	0 281 002 863	0 281 002 863	Pressure Sensor	7,638.00
0 445 214 210	0 281 006 037	0 281 006 037	Pressure Regulator	9,213.00
	0 281 006 035	0 281 006 035	Pressure Sensor	5,672.00
0 445 214 224	0 281 002 507	0 281 002 507	Pressure Regulator	7,214.00
	0 281 006 158	0 281 006 158	Pressure Sensor	7,638.00
0 445 214 230	0 281 002 800	0 281 002 800	Pressure Regulator	7,936.00
0 445 214 239	0 281 006 164	0 281 006 164	Pressure Sensor	2,586.00
	1 110 010 026	1 110 010 026	Pressure Limiting Valve	7,766.00
0 445 214 250	0 281 002 800	0 281 002 800	Pressure Regulator	7,936.00
	0 281 006 187	0 281 006 187	Pressure Sensor	7,170.00
0 445 214 261	0 281 002 937	0 281 002 937	Pressure Sensor	6,790.00
	0 281 006 425	0 281 006 425	Pressure Sensor	7,087.00
0 445 214 265	0 281 002 829	0 281 002 829	Pressure Regulator	8,700.00
	0 281 002 937	0 281 002 937	Pressure Sensor	6,790.00
0 445 214 274	0 281 006 264	0 281 006 264	Pressure Control Valve	6,500.00
	0 281 006 266	0 281 006 266	Pressure Sensor	7,630.00
0 445 214 278	0 281 002 949	0 281 002 949	Pressure Regulator	9,921.00
0 445 214 298	0 281 006 158	0 281 006 158	Pressure Sensor	7,638.00
0 445 214 299	0 281 002 507	0 281 002 507	Pressure Regulator	7,214.00
	0 281 006 158	0 281 006 158	Pressure Sensor	7,638.00

Bosch CR Systems Spare Parts List - Rail

Part Number	Part Number	Description	Description	MRP (₹)
0 445 214 303	0 281 006 349	0 281 006 349	Pressure Sensor	6,105.00
	1 110 010 045	1 110 010 045	Pressure Limiting Valve	6,000.00
0 445 214 315	0 281 002 949	0 281 002 949	Pressure Regulator	9,921.00
	0 281 006 447	0 281 006 447	Pressure Sensor	6,576.00
0 445 214 320	0 281 006 405	0 281 006 405	Pressure Control Valve	7,233.00
	0 281 006 403	0 281 006 403	Pressure Sensor	9,000.00
0 445 214 322	0 281 006 405	0 281 006 405	Pressure Control Valve	7,233.00
	0 281 006 403	0 281 006 403	Pressure Sensor	9,000.00
0 445 214 356	0 281 002 937	0 281 002 937	Pressure Sensor	6,790.00
0 445 214 358	0 281 006 015	0 281 006 015	Pressure Regulator	5,459.00
	0 281 006 163	0 281 006 163	Pressure Sensor	7,097.00
0 445 215 009	1 110 010 032	1 110 010 032	Pressure Limiting Valve	6,399.00
0 445 215 011	0 281 002 494	0 281 002 494	Pressure Regulator	9,235.00
0 445 215 014	0 281 002 952	0 281 002 952	Pressure Sensor	5,672.00
	1 110 010 032	1 110 010 032	Pressure Limiting Valve	6,399.00
0 445 215 022	0 281 002 712	0 281 002 712	Pressure Regulator	5,672.00
0 445 215 024	0 281 002 990	0 281 002 990	Pressure Regulator	7,630.00
	0 281 002 995	0 281 002 995	Pressure Sensor	-
0 445 216 015	0 281 002 497	0 281 002 497	Pressure Sensor	16,299.00
0 445 216 036	0 281 002 949	0 281 002 949	Pressure Regulator	9,921.00
0 445 216 045	0 281 006 017	0 281 006 017	Pressure Regulator	7,087.00
0 445 216 047	0 281 006 064	0 281 006 064	Pressure Sensor	7,887.00
0 445 216 051	0 281 006 394	0 281 006 394	Pressure Control Valve	11,340.00
	0 281 006 453	0 281 006 453	Pressure Sensor	2,050.00
0 445 218 019	0 281 006 064	0 281 006 064	Pressure Sensor	7,887.00
0 445 218 022	0 281 006 017	0 281 006 017	Pressure Regulator	7,087.00
0 445 224 071	0 281 002 937	0 281 002 937	Pressure Sensor	6,790.00
	1 110 010 028	1 110 010 028	Pressure Limiting Valve	2,747.00
0 445 224 078	0 281 002 937	0 281 002 937	Pressure Sensor	6,790.00
	1 110 010 028	1 110 010 028	Pressure Limiting Valve	2,747.00
0 445 224 082	0 281 002 937	0 281 002 937	Pressure Sensor	6,790.00
	0 281 006 425	0 281 006 425	Pressure Sensor	7,087.00
0 445 224 097	1 110 010 028	1 110 010 028	Pressure Limiting Valve	2,747.00
	0 281 002 937	0 281 002 937	Pressure Sensor	6,790.00
0 445 224 107	0 281 002 937	0 281 002 937	Pressure Sensor	6,790.00
	0 281 006 425	0 281 006 425	Pressure Sensor	7,087.00
0 445 226 025	1 110 010 028	1 110 010 028	Pressure Limiting Valve	2,747.00
	0 281 006 325	0 281 006 325	Pressure Sensor	3,938.00
0 445 226 042	1 110 010 020	1 110 010 020	Pressure Limiting Valve	5,374.00
	0 281 006 325	0 281 006 325	Pressure Sensor	3,938.00
0 445 226 044	1 110 010 028	1 110 010 028	Pressure Limiting Valve	2,747.00
	0 281 006 327	0 281 006 327	Pressure Sensor	3,828.00
0 445 226 056	1 110 010 013	1 110 010 013	Pressure Limiting Valve	4,252.00
	0 281 007 067	0 281 007 067	Pressure Sensor	7,630.00
0 445 226 060	1 110 010 024	1 110 010 024	Pressure Limiting Valve	7,821.00
	0 281 002 846	0 281 002 846	Pressure Sensor	7,087.00
0 445 226 071	1 110 010 028	1 110 010 028	Pressure Limiting Valve	2,747.00
	0 281 002 846	0 281 002 846	Pressure Sensor	7,087.00
0 445 226 084	1 110 010 028	1 110 010 028	Pressure Limiting Valve	2,747.00
	0 281 002 930	0 281 002 930	Pressure Sensor	7,795.00
0 445 226 099	1 110 010 013	1 110 010 013	Pressure Limiting Valve	4,252.00
	0 281 002 930	0 281 002 930	Pressure Sensor	7,795.00
0 445 226 142	1 110 010 026	1 110 010 026	Pressure Limiting Valve	7,766.00
	0 281 002 937	0 281 002 937	Pressure Sensor	6,790.00
0 445 226 157	1 110 010 028	1 110 010 028	Pressure Limiting Valve	2,747.00
	0 281 002 937	0 281 002 937	Pressure Sensor	6,790.00
F 002 FU0 002	0 928 400 802	0 928 400 802	Metering Unit	2,557.00

CRI: Repair Kit

Segment	OEM	Applications	CRI Kit Part Number	Injector Part Number	Nozzle Part Number	Valve Set Part Number	Parts Set* Part Number	MRP (₹)
PC	Ford	Ecosport 1.5 TDCi, New Figo, Aspire	F 00Z C99 664-4AR	"0 445 110 488 (IAM) 0 445 110 489 (OE)"	0 433 172 307	F 00V C01 372	F 00V C99 002	5,003.00
PC	Hyundai	i20 – 1.4 CRDi	F 00Z C99 562-4AR	0 445 110 319	0 433 172 065	F 00V C01 347	F 00V C99 002	4,375.00
		Verna 1.5 CRDi 16V, Elantra 2.0 CRDi	F 00Z C99 561-4AR	0 445 110 255	0 433 171 931	F 00V C01 347		4,594.00
PC	Mahindra & Mahindra	Scorpio 2.6 CRDe, Xylo 2.5 mDI mEagle CRDe, Tourister 2.6 Diesel, Thar 2.5D 4x4, LoadKing CRX 2.6 Diesel, LoadKing Pride 2.6 CRDe, Tourister 2.5	F 00Z C99 563-4AR	0 445 110 260	0 433 171 940	F 00V C01 334		3,173.00
		Bolero 2.5 Diesel	F 00Z C99 560-4AR	0 445 110 557	0 433 172 396	F 00Z C01 319	F 00V C99 002	2,955.00
		LCV	F 00Z C99 559-4AR	0 445 110 310	0 433 172 029	F 00V C01 334		3,173.00
		Genio 2.5D	F 00Z C99 564-4AR	0 445 110 441	0 433 172 269	F 00Z C01 306		3,064.00
PC	Maruti Suzuki	Swift 1.2 D (YP8), Swift 1.2 DZire CRDi (YN4), Swift 1.2 D (YN2), Swift 1.2 DZire , CRDi(YN2), Ritz 1.2 D, Ertiga 1.2, SX4 1.3 D	F 00Z C99 558-4AR	0 445 110 316	0 433 171 889	F 00V C01 334	F 00V C99 002	3,500.00
PC		Indica Vista 1.2D, Linea 1.3 JTD	F 00Z C99 558-4AR	0 445 110 331	0 433 171 889	F 00V C01 334		3,500.00
		ACE Magic 275 DI	F 00Z C99 565-4AR	0 445 110 436	0 433 172 261			2,983.00
LCV	Tata Motors	ACE Magic 275 NA	F 00Z C99 566 4AR	0 445 110 492	0 433 172 306	F 00Z C01 306	F 00V C99 002	2,734.00
		497 TCIC 3.8 L	F 00Z C99 568-4AR	0 445 110 497	0 433 172 321	F 00Z C01 305		3,282.00
HCV		LPT1612/1613 5.7 L	F 00Z C99 567-4AR	0 445 110 506	0 433 172 355			2,734.00
HCV	Tata Cummins	Isbe BS III_6 Cyl. 6.7 L	F 00Z C99 569-4AR	0 445 110 438	0 433 172 265	F 00Z C01 306	F 00V C99 002	3,282.00

*Parts Set F 00V C99 002 consists of Seal Ring F 00V C04 049 and Support Ring F 00V C17 105

CRIN: Repair Kit

Applications	Kit Part Number	CRIN Assembly Part No.	Nozzle Part No.	Valve Set Part No.	Seal Ring Part No.	Support Ring Part No.	MRP (₹) (Kit)
Deutz Engine	F 00R J04 785-000	0 445 120 064	0 433 171 963	F 00R J01 451			8,140.00
	F 00R J04 787-000	0 445 120 066	0 433 171 964	F 00R J01 479			7,460.00
	F 00R J04 788-000	0 445 120 067	0 433 171 968	F 00R J01 479	F 00V C17 105		7,090.00
Tata Prima 3138 K 8x4	F 00R J04 789-000	0 445 120 074	0 433 171 965	F 00R J01 451			8,140.00
Volvo B7R Urbano	F 00R J03 482-751	0 445 120 121	0 433 172 047	F 00R J01 941			5,120.00

CR Shim Kit

Description	Old Part No.	New Part No.	MRP (₹)	Size (in mm)		Kit Part No. Kit consists of 5 shims of each Part No.	
				From	To	Old	New (with MRP)
Valve Spring Force CRI1;	F 00Z C99 057	F 00Z C99 670	107.00	1.000	1.010	F 00Z C99 170	F 00Z C99 669 MRP: ₹ 8,212.00
Nozzle Spring Force All	F 00Z C99 058	F 00Z C99 671	107.00	1.020	1.030		
	F 00Z C99 059	F 00Z C99 672	107.00	1.040	1.050		
	F 00Z C99 060	F 00Z C99 673	107.00	1.060	1.070		
	F 00Z C99 061	F 00Z C99 674	107.00	1.080	1.090		
	F 00Z C99 062	F 00Z C99 675	107.00	1.100	1.110		
	F 00Z C99 063	F 00Z C99 676	107.00	1.120	1.130		
	F 00Z C99 064	F 00Z C99 677	107.00	1.140	1.150		
	F 00Z C99 065	F 00Z C99 678	107.00	1.160	1.170		
	F 00Z C99 066	F 00Z C99 679	107.00	1.180	1.190		
	F 00Z C99 067	F 00Z C99 680	107.00	1.200	1.210		
	F 00Z C99 068	F 00Z C99 681	107.00	1.220	1.230		
	F 00Z C99 069	F 00Z C99 682	107.00	1.240	1.250		
	F 00Z C99 070	F 00Z C99 683	107.00	1.260	1.270		
	F 00Z C99 071	F 00Z C99 684	107.00	1.280	1.290		
	F 00Z C99 072	F 00Z C99 685	107.00	1.300	1.310		
	F 00Z C99 073	F 00Z C99 686	107.00	1.320	1.330		
	F 00Z C99 074	F 00Z C99 687	107.00	1.340	1.350		
	F 00Z C99 075	F 00Z C99 688	107.00	1.360	1.370		
	F 00Z C99 076	F 00Z C99 689	107.00	1.380	1.390		
	F 00Z C99 077	F 00Z C99 690	107.00	1.400	1.410		
	F 00Z C99 078	F 00Z C99 691	107.00	1.420	1.430		
	F 00Z C99 079	F 00Z C99 692	107.00	1.440	1.450		
	F 00Z C99 080	F 00Z C99 693	107.00	1.460	1.470		
	F 00Z C99 081	F 00Z C99 694	107.00	1.480	1.490		
	F 00Z C99 082	F 00Z C99 695	107.00	1.500	1.510		
	F 00Z C99 083	F 00Z C99 696	107.00	1.520	1.530		
	F 00Z C99 084	F 00Z C99 697	107.00	1.540	1.550		
	F 00Z C99 085	F 00Z C99 698	107.00	1.560	1.570		
	F 00Z C99 086	F 00Z C99 699	107.00	1.580	1.590		
	F 00Z C99 087	F 00Z C99 700	107.00	1.600	1.610		
	F 00Z C99 088	F 00Z C99 701	107.00	1.620	1.630		
	F 00Z C99 089	F 00Z C99 702	107.00	1.640	1.650		
	F 00Z C99 090	F 00Z C99 703	107.00	1.660	1.670		
	F 00Z C99 091	F 00Z C99 704	107.00	1.680	1.690		
	F 00Z C99 092	F 00Z C99 705	107.00	1.700	1.710		
	F 00Z C99 093	F 00Z C99 706	107.00	1.720	1.730		
	F 00Z C99 094	F 00Z C99 707	107.00	1.740	1.750		
	F 00Z C99 095	F 00Z C99 708	107.00	1.760	1.770		
	F 00Z C99 096	F 00Z C99 709	107.00	1.780	1.790		
	F 00Z C99 097	F 00Z C99 710	107.00	1.800	1.810		
	F 00Z C99 098	F 00Z C99 711	107.00	1.820	1.830		
	F 00Z C99 099	F 00Z C99 712	107.00	1.840	1.850		
	F 00Z C99 100	F 00Z C99 713	107.00	1.860	1.870		
	F 00Z C99 101	F 00Z C99 714	107.00	1.880	1.890		
	F 00Z C99 102	F 00Z C99 715	107.00	1.900	1.910		
	F 00Z C99 103	F 00Z C99 716	107.00	1.920	1.930		
	F 00Z C99 104	F 00Z C99 717	107.00	1.940	1.950		
	F 00Z C99 105	F 00Z C99 718	107.00	1.960	1.970		
	F 00Z C99 106	F 00Z C99 719	107.00	1.980	1.990		
	F 00Z C99 107	F 00Z C99 720	107.00	2.000	2.010		



CR Shim Kit

Description	Old Part No.	New Part No.	MRP (₹)	Size (in mm)		Kit Part No. Kit consists of 5 shims of each Part No.	
				From	To	Old	New (with MRP)
Nozzle Needle Stroke Pill	F 00Z C99 108	F 00Z C99 722	68.00	1.000	1.005	F 000Z C99 171	F 00Z C99 721 MRP: ₹ 7,947.00
	F 00Z C99 109	F 00Z C99 723	68.00	1.010	1.015		
	F 00Z C99 110	F 00Z C99 724	68.00	1.020	1.025		
	F 00Z C99 111	F 00Z C99 725	68.00	1.030	1.035		
	F 00Z C99 112	F 00Z C99 726	68.00	1.040	1.045		
	F 00Z C99 113	F 00Z C99 727	68.00	1.050	1.055		
	F 00Z C99 114	F 00Z C99 728	68.00	1.060	1.065		
	F 00Z C99 115	F 00Z C99 729	68.00	1.070	1.075		
	F 00Z C99 116	F 00Z C99 730	68.00	1.080	1.085		
	F 00Z C99 117	F 00Z C99 731	68.00	1.090	1.095		
	F 00Z C99 118	F 00Z C99 732	68.00	1.100	1.105		
	F 00Z C99 119	F 00Z C99 733	68.00	1.110	1.115		
	F 00Z C99 120	F 00Z C99 734	68.00	1.120	1.125		
	F 00Z C99 121	F 00Z C99 735	68.00	1.130	1.135		
	F 00Z C99 122	F 00Z C99 736	68.00	1.140	1.145		
	F 00Z C99 123	F 00Z C99 737	68.00	1.150	1.155		
	F 00Z C99 124	F 00Z C99 738	68.00	1.160	1.165		
	F 00Z C99 125	F 00Z C99 739	68.00	1.170	1.175		
	F 00Z C99 126	F 00Z C99 740	68.00	1.180	1.185		
	F 00Z C99 127	F 00Z C99 741	68.00	1.190	1.195		
	F 00Z C99 128	F 00Z C99 742	68.00	1.200	1.205		
	F 00Z C99 129	F 00Z C99 743	68.00	1.210	1.215		
	F 00Z C99 130	F 00Z C99 744	68.00	1.220	1.225		
	F 00Z C99 131	F 00Z C99 745	68.00	1.230	1.235		
	F 00Z C99 132	F 00Z C99 746	68.00	1.240	1.245		
	F 00Z C99 133	F 00Z C99 747	68.00	1.250	1.255		
	F 00Z C99 134	F 00Z C99 748	68.00	1.260	1.265		
	F 00Z C99 135	F 00Z C99 749	68.00	1.270	1.275		
	F 00Z C99 136	F 00Z C99 750	68.00	1.280	1.285		
	F 00Z C99 137	F 00Z C99 751	68.00	1.290	1.295		
	F 00Z C99 138	F 00Z C99 752	68.00	1.300	1.305		
	F 00Z C99 139	F 00Z C99 753	68.00	1.310	1.315		
	F 00Z C99 140	F 00Z C99 754	68.00	1.320	1.325		
	F 00Z C99 141	F 00Z C99 755	68.00	1.330	1.335		
F 00Z C99 142	F 00Z C99 756	68.00	1.340	1.345			
F 00Z C99 143	F 00Z C99 757	68.00	1.350	1.355			
F 00Z C99 144	F 00Z C99 758	68.00	1.360				
Nozzle Needle Stroke Thrust Member	F 00Z C99 145	F 00Z C99 760	167.00	8.277	8.283	F 00Z C99 172	F 00Z C99 759 MRP: ₹ 21,854.00
	F 00Z C99 146	F 00Z C99 761	167.00	8.289	8.295		
	F 00Z C99 147	F 00Z C99 762	167.00	8.301	8.307		
	F 00Z C99 148	F 00Z C99 763	167.00	8.313	8.319		
	F 00Z C99 149	F 00Z C99 764	167.00	8.325	8.331		
	F 00Z C99 150	F 00Z C99 765	167.00	8.337	8.343		
	F 00Z C99 151	F 00Z C99 766	167.00	8.349	8.355		
	F 00Z C99 152	F 00Z C99 767	167.00	8.361	8.367		
	F 00Z C99 153	F 00Z C99 768	167.00	8.373	8.379		
	F 00Z C99 154	F 00Z C99 769	167.00	8.385	8.391		
	F 00Z C99 155	F 00Z C99 770	167.00	8.397	8.403		
	F 00Z C99 156	F 00Z C99 771	167.00	8.409	8.415		
	F 00Z C99 157	F 00Z C99 772	167.00	8.421	8.427		
	F 00Z C99 158	F 00Z C99 773	167.00	8.433	8.439		

CR Shim Kit

Description	Old Part No.	New Part No.	MRP (₹)	Size (in mm)		Kit Part No. Kit consists of 5 shims of each Part No.			
				From	To	Old	New (with MRP)		
Nozzle Needle Stroke Thrust Member	F 00Z C99 159	F 00Z C99 774	167.00	8.445	8.451	F 00Z C99 172	F 00Z C99 759 MRP: ₹ 21,854.00		
	F 00Z C99 160	F 00Z C99 775	167.00	8.457	8.463				
	F 00Z C99 161	F 00Z C99 776	167.00	8.469	8.475				
	F 00Z C99 162	F 00Z C99 777	167.00	8.481	8.487				
	F 00Z C99 163	F 00Z C99 778	167.00	8.493	8.499				
	F 00Z C99 164	F 00Z C99 779	167.00	8.505	8.511				
	F 00Z C99 165	F 00Z C99 780	167.00	8.517	8.523				
	F 00Z C99 166	F 00Z C99 781	167.00	8.529	8.535				
	F 00Z C99 167	F 00Z C99 782	167.00	8.541	8.547				
	F 00Z C99 168	F 00Z C99 783	167.00	8.553	8.559				
	F 00Z C99 169	F 00Z C99 784	167.00	8.565	8.571				
	F 00Z C99 179	F 00Z C99 786	106.00	1.089	1.095			F 00Z C99 173	F 00Z C99 785 MRP: ₹ 10,596.00
	F 00Z C99 180	F 00Z C99 787	106.00	1.098	1.104				
	F 00Z C99 181	F 00Z C99 788	106.00	1.107	1.113				
	F 00Z C99 182	F 00Z C99 789	106.00	1.116	1.122				
	F 00Z C99 183	F 00Z C99 790	106.00	1.125	1.131				
	F 00Z C99 184	F 00Z C99 791	106.00	1.134	1.140				
	F 00Z C99 185	F 00Z C99 792	106.00	1.143	1.149				
	F 00Z C99 186	F 00Z C99 793	106.00	1.152	1.158				
F 00Z C99 187	F 00Z C99 794	106.00	1.161	1.167					
F 00Z C99 188	F 00Z C99 795	106.00	1.170	1.176					
F 00Z C99 189	F 00Z C99 796	106.00	1.179	1.185					
F 00Z C99 190	F 00Z C99 797	106.00	1.188	1.194					
F 00Z C99 191	F 00Z C99 798	106.00	1.197	1.203					
F 00Z C99 192	F 00Z C99 799	106.00	1.206	1.212					
F 00Z C99 193	F 00Z C99 800	106.00	1.215	1.221					
F 00Z C99 194	F 00Z C99 801	106.00	1.224	1.230					
F 00Z C99 195	F 00Z C99 802	106.00	1.233	1.239					
F 00Z C99 196	F 00Z C99 803	106.00	1.242	1.248					
F 00Z C99 197	F 00Z C99 804	106.00	1.251	1.257					
F 00Z C99 198	F 00Z C99 805	106.00	1.260	1.266					
F 00Z C99 199	F 00Z C99 806	106.00	1.269	1.275					
F 00Z C99 200	F 00Z C99 807	106.00	1.278	1.284					
F 00Z C99 201	F 00Z C99 808	106.00	1.287	1.293					
F 00Z C99 202	F 00Z C99 809	106.00	1.296	1.302					
F 00Z C99 203	F 00Z C99 810	106.00	1.305	1.311					
F 00Z C99 204	F 00Z C99 811	106.00	1.314	1.320					
F 00Z C99 205	F 00Z C99 812	106.00	1.323	1.329					
F 00Z C99 206	F 00Z C99 813	106.00	1.332	1.338					
F 00Z C99 207	F 00Z C99 814	106.00	1.341	1.347					
F 00Z C99 208	F 00Z C99 815	106.00	1.350	1.356					
F 00Z C99 209	F 00Z C99 816	106.00	1.359	1.365					
F 00Z C99 210	F 00Z C99 817	106.00	1.368	1.371					
Valve Spring Force CRI2.2	F 00Z C99 211	F 00Z C99 984	113.00	1.000	1.010	F 00Z C99 174	F 00Z C99 983 MRP: ₹ 15,397.00		
	F 00Z C99 212	F 00Z C99 985	113.00	1.020	1.030				
	F 00Z C99 213	F 00Z C99 986	113.00	1.040	1.050				
	F 00Z C99 214	F 00Z C99 987	113.00	1.060	1.070				
	F 00Z C99 215	F 00Z C99 988	113.00	1.080	1.090				
	F 00Z C99 216	F 00Z C99 989	113.00	1.100	1.110				
	F 00Z C99 217	F 00Z C99 990	113.00	1.120	1.130				
	F 00Z C99 218	F 00Z C99 991	113.00	1.140	1.150				
	F 00Z C99 219	F 00Z C99 992	113.00	1.160	1.170				
	F 00Z C99 220	F 00Z C99 993	113.00	1.180	1.190				



CR Shim Kit

Description	Old Part No.	New Part No.	MRP (₹)	Size (in mm)		Kit Part No. Kit consists of 5 shims of each Part No.	
				From	To	Old	New (with MRP)
Valve Spring Force CRI2.2	F 00Z C99 220	F 00Z C99 993	113.00	1.180	1.190	F 00Z C99 174	F 00Z C99 983 MRP: ₹ 15,397.00
	F 00Z C99 221	F 00Z C99 994	113.00	1.200	1.210		
	F 00Z C99 222	F 00Z C99 995	113.00	1.220	1.230		
	F 00Z C99 223	F 00Z C99 996	113.00	1.240	1.250		
	F 00Z C99 224	F 00Z C99 997	113.00	1.260	1.270		
	F 00Z C99 225	F 00Z C99 998	113.00	1.280	1.290		
	F 00Z C99 226	F 00Z C99 999	113.00	1.300	1.310		
	F 00Z C99 227	F 00Z C98 001	113.00	1.320	1.330		
	F 00Z C99 228	F 00Z C98 002	113.00	1.340	1.350		
	F 00Z C99 229	F 00Z C98 003	113.00	1.360	1.370		
	F 00Z C99 230	F 00Z C98 004	113.00	1.380	1.390		
	F 00Z C99 231	F 00Z C98 005	113.00	1.400	1.410		
	F 00Z C99 232	F 00Z C98 006	113.00	1.420	1.430		
	F 00Z C99 233	F 00Z C98 007	113.00	1.440	1.450		
	F 00Z C99 234	F 00Z C98 008	113.00	1.460	1.470		
	F 00Z C99 235	F 00Z C98 009	113.00	1.480	1.490		
	F 00Z C99 236	F 00Z C98 010	113.00	1.500	1.510		
	F 00Z C99 237	F 00Z C98 011	113.00	1.520	1.530		
	F 00Z C99 238	F 00Z C98 012	113.00	1.540	1.550		
	F 00Z C99 239	F 00Z C98 013	113.00	1.560	1.570		
	F 00Z C99 240	F 00Z C98 014	113.00	1.580	1.590		
	F 00Z C99 241	F 00Z C98 015	113.00	1.600	1.610		
	F 00Z C99 242	F 00Z C98 016	113.00	1.620	1.630		
	F 00Z C99 243	F 00Z C98 017	113.00	1.640	1.650		
	F 00Z C99 244	F 00Z C98 018	113.00	1.660	1.670		
	F 00Z C99 245	F 00Z C98 019	113.00	1.680	1.690		
	F 00Z C99 246	F 00Z C98 020	113.00	1.700	1.710		
	F 00Z C99 247	F 00Z C98 021	113.00	1.720	1.730		
	F 00Z C99 248	F 00Z C98 022	113.00	1.740	1.750		
	F 00Z C99 249	F 00Z C98 023	113.00	1.760	1.770		
	F 00Z C99 250	F 00Z C98 024	113.00	1.780	1.790		
	F 00Z C99 251	F 00Z C98 025	113.00	1.800	1.810		
	F 00Z C99 252	F 00Z C98 026	113.00	1.820	1.830		
	F 00Z C99 253	F 00Z C98 027	113.00	1.840	1.850		
	F 00Z C99 254	F 00Z C98 028	113.00	1.860	1.870		
F 00Z C99 255	F 00Z C98 029	113.00	1.880	1.890			
F 00Z C99 256	F 00Z C98 030	113.00	1.900	1.910			
F 00Z C99 257	F 00Z C98 031	113.00	1.920	1.930			
F 00Z C99 258	F 00Z C98 032	113.00	1.940	1.950			
F 00Z C99 259	F 00Z C98 033	113.00	1.960	1.970			
F 00Z C99 260	F 00Z C98 034	113.00	1.980	1.990			
F 00Z C99 261	F 00Z C98 035	113.00	2.000				
Excess Lift CRI2.0, 2.2	F 00Z C99 262	F 00Z C99 819	66.00	1.155	1.160	F 00Z C99 175	F 00Z C99 818 MRP: ₹ 3,973.00
	F 00Z C99 263	F 00Z C99 820	66.00	1.165	1.170		
	F 00Z C99 264	F 00Z C99 821	66.00	1.175	1.180		
	F 00Z C99 265	F 00Z C99 822	66.00	1.185	1.190		
	F 00Z C99 266	F 00Z C99 823	66.00	1.195	1.200		
	F 00Z C99 267	F 00Z C99 824	66.00	1.205	1.210		
	F 00Z C99 268	F 00Z C99 825	66.00	1.215	1.220		
	F 00Z C99 269	F 00Z C99 826	66.00	1.225	1.230		
	F 00Z C99 270	F 00Z C99 827	66.00	1.235	1.240		
	F 00Z C99 271	F 00Z C99 828	66.00	1.245	1.250		
	F 00Z C99 272	F 00Z C99 829	66.00	1.255	1.260		
	F 00Z C99 273	F 00Z C99 830	66.00	1.265			

CR Shim Kit

Description	Old Part No.	New Part No.	MRP (₹)	Size (in mm)		Kit Part No. Kit consists of 5 shims of each Part No.				
				From	To	Old	New (with MRP)			
Valve Spring Force CRI2.1	F 00Z C99 274	F 00Z C99 832	79.00	1.400	1.410	F 00Z C99 176	F 00Z C99 831 MRP: ₹ 5,298.00			
	F 00Z C99 275	F 00Z C99 833	79.00	1.420	1.430					
	F 00Z C99 276	F 00Z C99 834	79.00	1.440	1.450					
	F 00Z C99 277	F 00Z C99 835	79.00	1.460	1.470					
	F 00Z C99 278	F 00Z C99 836	79.00	1.480	1.490					
	F 00Z C99 279	F 00Z C99 837	79.00	1.500	1.510					
	F 00Z C99 280	F 00Z C99 838	79.00	1.520	1.530					
	F 00Z C99 281	F 00Z C99 839	79.00	1.540	1.550					
	F 00Z C99 282	F 00Z C99 840	79.00	1.560	1.570					
	F 00Z C99 283	F 00Z C99 841	79.00	1.580	1.590					
	F 00Z C99 284	F 00Z C99 842	79.00	1.600	1.610					
	F 00Z C99 285	F 00Z C99 843	79.00	1.620	1.630					
	F 00Z C99 286	F 00Z C99 844	79.00	1.640	1.650					
	F 00Z C99 287	F 00Z C99 845	79.00	1.660	1.670					
	F 00Z C99 288	F 00Z C99 846	79.00	1.680	1.690					
	F 00Z C99 289	F 00Z C99 847	79.00	1.700	1.710					
	F 00Z C99 290	F 00Z C99 848	79.00	1.720	1.730					
	F 00Z C99 291	F 00Z C99 849	79.00	1.740	1.750					
	F 00Z C99 292	F 00Z C99 850	79.00	1.760	1.770					
	F 00Z C99 293	F 00Z C99 851	79.00	1.780	1.790					
	F 00Z C99 294	F 00Z C99 852	79.00	1.800	1.810					
	F 00Z C99 295	F 00Z C99 853	79.00	1.820	1.830					
	F 00Z C99 296	F 00Z C99 854	79.00	1.840	1.850					
	F 00Z C99 297	F 00Z C99 855	79.00	1.860	1.870					
	F 00Z C99 298	F 00Z C99 856	79.00	1.880	1.890					
	F 00Z C99 299	F 00Z C99 857	79.00	1.900	-					
	Residual Air Gap CRI2.1; Armature Stroke CRI2.1	F 00Z C99 300	F 00Z C99 859	93.00	0.860			0.862	F 00Z C99 177	F 00Z C99 858 MRP: ₹ 25,165.00
		F 00Z C99 301	F 00Z C99 860	93.00	0.864			0.866		
		F 00Z C99 302	F 00Z C99 861	93.00	0.868			0.870		
		F 00Z C99 303	F 00Z C99 862	93.00	0.872			0.874		
		F 00Z C99 304	F 00Z C99 863	93.00	0.876			0.878		
		F 00Z C99 305	F 00Z C99 864	93.00	0.880			0.882		
F 00Z C99 306		F 00Z C99 865	93.00	0.884	0.886					
F 00Z C99 307		F 00Z C99 866	93.00	0.888	0.890					
F 00Z C99 308		F 00Z C99 867	93.00	0.892	0.894					
F 00Z C99 309		F 00Z C99 868	93.00	0.896	0.898					
F 00Z C99 310		F 00Z C99 869	93.00	0.900	0.902					
F 00Z C99 311		F 00Z C99 870	93.00	0.904	0.906					
F 00Z C99 312		F 00Z C99 871	93.00	0.908	0.910					
F 00Z C99 313		F 00Z C99 872	93.00	0.912	0.914					
F 00Z C99 314		F 00Z C99 873	93.00	0.916	0.918					
F 00Z C99 315		F 00Z C99 874	93.00	0.920	0.922					
F 00Z C99 316		F 00Z C99 875	93.00	0.924	0.926					
F 00Z C99 317		F 00Z C99 876	93.00	0.928	0.930					
F 00Z C99 318		F 00Z C99 877	93.00	0.932	0.934					
F 00Z C99 319		F 00Z C99 878	93.00	0.936	0.938					
F 00Z C99 320		F 00Z C99 879	93.00	0.940	0.942					
F 00Z C99 321		F 00Z C99 880	93.00	0.944	0.946					
F 00Z C99 322		F 00Z C99 881	93.00	0.948	0.950					
F 00Z C99 323		F 00Z C99 882	93.00	0.952	0.954					
F 00Z C99 324		F 00Z C99 883	93.00	0.956	0.958					
F 00Z C99 325		F 00Z C99 884	93.00	0.960	0.962					
F 00Z C99 326		F 00Z C99 885	93.00	0.964	0.966					



CR Shim Kit

Description	Old Part No.	New Part No.	MRP (₹)	Size (in mm)		Kit Part No. Kit consists of 5 shims of each Part No.	
				From	To	Old	New (with MRP)
Residual Air Gap CRI2.1; Armature Stroke CRI2.1	F 00Z C99 327	F 00Z C99 886	93.00	0.968	0.970	F 00Z C99 177	F 00Z C99 858 MRP: ₹ 25,165.00
	F 00Z C99 328	F 00Z C99 887	93.00	0.972	0.974		
	F 00Z C99 329	F 00Z C99 888	93.00	0.976	0.978		
	F 00Z C99 330	F 00Z C99 889	93.00	0.980	0.982		
	F 00Z C99 331	F 00Z C99 890	93.00	0.984	0.986		
	F 00Z C99 332	F 00Z C99 891	93.00	0.988	0.990		
	F 00Z C99 333	F 00Z C99 892	93.00	0.992	0.994		
	F 00Z C99 334	F 00Z C99 893	93.00	0.996	0.998		
	F 00Z C99 335	F 00Z C99 894	93.00	1.000	1.002		
	F 00Z C99 336	F 00Z C99 895	93.00	1.004	1.006		
	F 00Z C99 337	F 00Z C99 896	93.00	1.008	1.010		
	F 00Z C99 338	F 00Z C99 897	93.00	1.012	1.014		
	F 00Z C99 339	F 00Z C99 898	93.00	1.016	1.018		
	F 00Z C99 340	F 00Z C99 899	93.00	1.020	1.022		
	F 00Z C99 341	F 00Z C99 900	93.00	1.024	1.026		
	F 00Z C99 342	F 00Z C99 901	93.00	1.028	1.030		
	F 00Z C99 343	F 00Z C99 902	93.00	1.032	1.034		
	F 00Z C99 344	F 00Z C99 903	93.00	1.036	1.038		
	F 00Z C99 345	F 00Z C99 904	93.00	1.040	1.042		
	F 00Z C99 346	F 00Z C99 905	93.00	1.044	1.046		
	F 00Z C99 347	F 00Z C99 906	93.00	1.048	1.050		
	F 00Z C99 348	F 00Z C99 907	93.00	1.052	1.054		
	F 00Z C99 349	F 00Z C99 908	93.00	1.056	1.058		
	F 00Z C99 350	F 00Z C99 909	93.00	1.060	1.062		
	F 00Z C99 351	F 00Z C99 910	93.00	1.064	1.066		
	F 00Z C99 352	F 00Z C99 911	93.00	1.068	1.070		
	F 00Z C99 353	F 00Z C99 912	93.00	1.072	1.074		
	F 00Z C99 354	F 00Z C99 913	93.00	1.076	1.078		
	F 00Z C99 355	F 00Z C99 914	93.00	1.080	1.082		
	F 00Z C99 356	F 00Z C99 915	93.00	1.084	1.086		
	F 00Z C99 357	F 00Z C99 916	93.00	1.088	1.090		
	F 00Z C99 358	F 00Z C99 917	93.00	1.092	1.094		
	F 00Z C99 359	F 00Z C99 918	93.00	1.096	1.098		
	F 00Z C99 360	F 00Z C99 919	93.00	1.100	1.102		
	F 00Z C99 361	F 00Z C99 920	93.00	1.104	1.106		
	F 00Z C99 362	F 00Z C99 921	93.00	1.108	1.110		
	F 00Z C99 363	F 00Z C99 922	93.00	1.112	1.114		
	F 00Z C99 364	F 00Z C99 923	93.00	1.116	1.118		
F 00Z C99 365	F 00Z C99 924	93.00	1.120	1.122			
F 00Z C99 366	F 00Z C99 925	93.00	1.124	1.126			
F 00Z C99 367	F 00Z C99 926	93.00	1.128	1.130			
F 00Z C99 368	F 00Z C99 927	93.00	1.132	1.134			
F 00Z C99 369	F 00Z C99 928	93.00	1.136	1.138			
F 00Z C99 370	F 00Z C99 929	93.00	1.140	1.142			
F 00Z C99 371	F 00Z C99 930	93.00	1.144	1.146			
F 00Z C99 372	F 00Z C99 931	93.00	1.148	1.150			
F 00Z C99 373	F 00Z C99 932	93.00	1.152	1.154			
F 00Z C99 374	F 00Z C99 933	93.00	1.156	1.158			
F 00Z C99 375	F 00Z C99 934	93.00	1.160	1.162			
F 00Z C99 376	F 00Z C99 935	93.00	1.164	1.166			
F 00Z C99 377	F 00Z C99 936	93.00	1.168	1.170			
F 00Z C99 378	F 00Z C99 937	93.00	1.172	1.174			

CR Shim Kit

Description	Old Part No.	New Part No.	MRP (₹)	Size (in mm)		Kit Part No. Kit consists of 5 shims of each Part No.			
				From	To	Old	New (with MRP)		
Residual Air Gap CRI2.1; Armature Stroke CRI2.1	F 00Z C99 379	F 00Z C99 938	93.00	1.176	1.178	F 00Z C99 177	F 00Z C99 858 MRP: ₹ 25,165.00		
	F 00Z C99 380	F 00Z C99 939	93.00	1.180	1.182				
	F 00Z C99 381	F 00Z C99 940	93.00	1.184	1.186				
	F 00Z C99 382	F 00Z C99 941	93.00	1.188	1.190				
	F 00Z C99 383	F 00Z C99 942	93.00	1.192	1.194				
	F 00Z C99 384	F 00Z C99 943	93.00	1.196	1.198				
	F 00Z C99 385	F 00Z C99 944	93.00	1.200	1.202				
	F 00Z C99 386	F 00Z C99 945	93.00	1.204	1.206				
	F 00Z C99 387	F 00Z C99 946	93.00	1.208	1.210				
	F 00Z C99 388	F 00Z C99 947	93.00	1.212	1.214				
	F 00Z C99 389	F 00Z C99 948	93.00	1.216	1.218				
	F 00Z C99 390	F 00Z C99 949	93.00	1.220	1.222				
	F 00Z C99 391	F 00Z C99 950	93.00	1.224	1.226				
	F 00Z C99 392	F 00Z C99 951	93.00	1.228	1.230				
	F 00Z C99 393	F 00Z C99 952	93.00	1.232	1.234				
	F 00Z C99 394	F 00Z C99 953	93.00	1.236	1.238				
	F 00Z C99 395	F 00Z C99 954	93.00	1.240					
	F 00Z C99 396	F 00Z C99 956	73.00	1.190	1.192			F 00Z C99 178	F 00Z C99 955 MRP: ₹ 5,960.00
	F 00Z C99 397	F 00Z C99 957	73.00	1.194	1.196				
	F 00Z C99 398	F 00Z C99 958	73.00	1.198	1.200				
F 00Z C99 399	F 00Z C99 959	73.00	1.202	1.204					
F 00Z C99 400	F 00Z C99 960	73.00	1.206	1.208					
F 00Z C99 401	F 00Z C99 961	73.00	1.210	1.212					
F 00Z C99 402	F 00Z C99 962	73.00	1.214	1.216					
F 00Z C99 403	F 00Z C99 963	73.00	1.218	1.220					
F 00Z C99 404	F 00Z C99 964	73.00	1.222	1.224					
F 00Z C99 405	F 00Z C99 965	73.00	1.226	1.228					
F 00Z C99 406	F 00Z C99 966	73.00	1.230	1.232					
F 00Z C99 407	F 00Z C99 967	73.00	1.234	1.236					
F 00Z C99 408	F 00Z C99 968	73.00	1.238	1.240					
F 00Z C99 409	F 00Z C99 969	73.00	1.242	1.244					
F 00Z C99 410	F 00Z C99 970	73.00	1.246	1.248					
F 00Z C99 411	F 00Z C99 971	73.00	1.250	1.252					
F 00Z C99 412	F 00Z C99 972	73.00	1.254	1.256					
F 00Z C99 413	F 00Z C99 973	73.00	1.258	1.260					
F 00Z C99 414	F 00Z C99 974	73.00	1.262	1.264					
F 00Z C99 415	F 00Z C99 975	73.00	1.266	1.268					
Armature Stroke CRI1, 2.0, 2.2	F 00R J04 158	F 00R J04 647	66.00	0.940	0.950	F 00Z C99 178	F 00Z C99 955 MRP: ₹ 5,960.00		
	F 00R J04 159	F 00R J04 648	66.00	0.970	0.980				
	F 00R J04 160	F 00R J04 649	66.00	1.000	1.010				
	F 00R J04 161	F 00R J04 650	66.00	1.030	1.040				
	F 00R J04 162	F 00R J04 651	66.00	1.060	1.070				
	F 00R J04 163	F 00R J04 652	66.00	1.090	1.100				
	F 00R J04 164	F 00R J04 653	66.00	1.120	1.130				
	F 00R J04 165	F 00R J04 654	66.00	1.150	1.160				
	F 00R J04 166	F 00R J04 655	66.00	1.180	1.190				
	F 00R J04 167	F 00R J04 656	66.00	1.210	1.220				
	F 00R J04 168	F 00R J04 657	66.00	1.240	1.250				
	F 00R J04 169	F 00R J04 658	66.00	1.270	1.280				
	F 00R J04 170	F 00R J04 659	66.00	1.300	1.310				
	F 00R J04 171	F 00R J04 660	66.00	1.330	1.340				
	F 00R J04 172	F 00R J04 661	66.00	1.360	1.370				



CR Shim Kit

Description	Old Part No.	New Part No.	MRP (₹)	Size (in mm)		Kit Part No. Kit consists of 5 shims of each Part No.	
				From	To	Old	New (with MRP)
Armature Stroke CR11, 2.0, 2.2	F 00R J04 173	F 00R J04 662	66.00	1.390	1.400	F 00Z C99 178	F 00Z C99 955 MRP: ₹ 5,960.00
	F 00R J04 174	F 00R J04 663	66.00	1.420	1.430		
	F 00R J04 175	F 00R J04 664	66.00	1.450	1.460		
	F 00R J04 176	F 00R J04 665	66.00	1.470	1.480		
	F 00R J04 177	F 00R J04 666	66.00	1.500	1.510		
	F 00R J04 178	F 00R J04 667	66.00	1.530	1.540		
	F 00R J04 179	F 00R J04 668	66.00	1.560	1.570		
	F 00R J04 180	F 00R J04 669	66.00	1.590	1.600		
	Armature Stroke CRIN2-3	F 00R J04 181	F 00R J04 670	99.00	1.512		
F 00R J04 182		F 00R J04 671	99.00	1.516	1.518		
F 00R J04 183		F 00R J04 672	99.00	1.520	1.522		
F 00R J04 184		F 00R J04 673	99.00	1.524	1.526		
F 00R J04 185		F 00R J04 674	99.00	1.528	1.530		
F 00R J04 186		F 00R J04 675	99.00	1.532	1.534		
F 00R J04 187		F 00R J04 676	99.00	1.536	1.538		
F 00R J04 188		F 00R J04 677	99.00	1.540	1.542		
F 00R J04 189		F 00R J04 678	99.00	1.544	1.546		
F 00R J04 190		F 00R J04 679	99.00	1.548	1.550		
F 00R J04 191		F 00R J04 680	99.00	1.552	1.554		
F 00R J04 192		F 00R J04 681	99.00	1.556	1.558		
F 00R J04 193		F 00R J04 682	99.00	1.560	1.562		
F 00R J04 194		F 00R J04 683	99.00	1.564	1.566		
F 00R J04 195		F 00R J04 684	99.00	1.568	1.570		
F 00R J04 196		F 00R J04 685	99.00	1.572	1.574		
F 00R J04 197		F 00R J04 686	99.00	1.576	1.578		
F 00R J04 198		F 00R J04 687	99.00	1.580	1.582		
F 00R J04 199		F 00R J04 688	99.00	1.584	1.586		
F 00R J04 200		F 00R J04 689	99.00	1.588	1.590		
F 00R J04 201		F 00R J04 690	99.00	1.592	1.594		
F 00R J04 202		F 00R J04 691	99.00	1.596	1.598		
F 00R J04 203		F 00R J04 692	99.00	1.600	1.602		
F 00R J04 204		F 00R J04 693	99.00	1.604	1.606		
F 00R J04 205		F 00R J04 694	99.00	1.608	1.610		
F 00R J04 206		F 00R J04 695	99.00	1.612	1.614		
F 00R J04 207		F 00R J04 696	99.00	1.616	1.618		
F 00R J04 208		F 00R J04 697	99.00	1.620	1.622		
F 00R J04 209		F 00R J04 698	99.00	1.624	1.626		
F 00R J04 210		F 00R J04 699	99.00	1.628	1.630		
F 00R J04 211		F 00R J04 700	99.00	1.632	1.634		
F 00R J04 212		F 00R J04 701	99.00	1.636	1.638		
F 00R J04 213		F 00R J04 702	99.00	1.640	1.642		
F 00R J04 214		F 00R J04 703	99.00	1.644	1.646		
F 00R J04 215		F 00R J04 704	99.00	1.648	1.650		
F 00R J04 216		F 00R J04 705	99.00	1.652	1.654		
F 00R J04 217	F 00R J04 706	99.00	1.656	1.658			
F 00R J04 218	F 00R J04 707	99.00	1.660	1.662			
F 00R J04 219	F 00R J04 708	99.00	1.664	1.666			
F 00R J04 220	F 00R J04 709	99.00	1.668	1.670			
F 00R J04 221	F 00R J04 710	99.00	1.672	1.674			
F 00R J04 222	F 00R J04 711	99.00	1.676	1.678			
F 00R J04 223	F 00R J04 712	99.00	1.680	1.682			
F 00R J04 224	F 00R J04 713	99.00	1.684	1.686			

CR Shim Kit

Description	Old Part No.	New Part No.	MRP (₹)	Size (in mm)		Kit Part No. Kit consists of 5 shims of each Part No.				
				From	To	Old	New (with MRP)			
Armature Stroke CRIN1	F 00R J04 091	F 00R J04 602	99.00	0.950	0.952	F 00R J02 755	F 00R J04 731 MRP: ₹ 9,934.00			
	F 00R J04 092	F 00R J04 603	99.00	0.954	0.956					
	F 00R J04 093	F 00R J04 604	99.00	0.958	0.960					
	F 00R J04 094	F 00R J04 605	99.00	0.962	0.964					
	F 00R J04 095	F 00R J04 606	99.00	0.966	0.968					
	F 00R J04 096	F 00R J04 607	99.00	0.970	0.972					
	F 00R J04 097	F 00R J04 608	99.00	0.974	0.976					
	F 00R J04 098	F 00R J04 609	99.00	0.978	0.980					
	F 00R J04 099	F 00R J04 610	99.00	0.982	0.984					
	F 00R J04 100	F 00R J04 611	99.00	0.986	0.988					
	F 00R J04 101	F 00R J04 612	99.00	0.990	0.992					
	F 00R J04 102	F 00R J04 613	99.00	0.994	0.996					
	F 00R J04 103	F 00R J04 614	99.00	0.998	1.000					
	F 00R J04 104	F 00R J04 615	99.00	1.002	1.004					
	F 00R J04 105	F 00R J04 616	99.00	1.006	1.008					
	F 00R J04 106	F 00R J04 617	99.00	1.010	1.012					
	F 00R J04 107	F 00R J04 618	99.00	1.014	1.016					
	F 00R J04 108	F 00R J04 619	99.00	1.018	1.020					
	F 00R J04 109	F 00R J04 620	99.00	1.022	1.024					
	F 00R J04 110	F 00R J04 621	99.00	1.026	1.028					
	F 00R J04 111	F 00R J04 622	99.00	1.030	1.032					
	F 00R J04 112	F 00R J04 623	99.00	1.034	1.036					
	F 00R J04 113	F 00R J04 624	99.00	1.038	1.040					
	F 00R J04 114	F 00R J04 625	99.00	1.042	1.044					
	F 00R J04 115	F 00R J04 626	99.00	1.046	1.048					
	F 00R J04 116	F 00R J04 627	99.00	1.050	1.052					
	F 00R J04 117	F 00R J04 628	99.00	1.054	1.056					
	Residual Air Gap CRIN1	F 00R J04 138	F 00R J04 629	119.00	1.210			1.215	F 00R J02 756	F 00R J04 732 MRP: ₹ 7,616.00
		F 00R J04 139	F 00R J04 630	119.00	1.220			1.225		
		F 00R J04 140	F 00R J04 631	119.00	1.230			1.235		
		F 00R J04 141	F 00R J04 632	119.00	1.240			1.245		
		F 00R J04 142	F 00R J04 633	119.00	1.250			1.255		
		F 00R J04 143	F 00R J04 634	119.00	1.260			1.265		
F 00R J04 144		F 00R J04 635	119.00	1.270	1.275					
F 00R J04 145		F 00R J04 636	119.00	1.280	1.285					
F 00R J04 146		F 00R J04 637	119.00	1.290	1.295					
F 00R J04 147		F 00R J04 638	119.00	1.300	1.305					
F 00R J04 148		F 00R J04 639	119.00	1.310	1.315					
F 00R J04 149		F 00R J04 640	119.00	1.320	1.325					
F 00R J04 150		F 00R J04 641	119.00	1.330	1.335					
F 00R J04 151		F 00R J04 642	119.00	1.340	1.345					
F 00R J04 152		F 00R J04 643	119.00	1.350	1.355					
F 00R J04 153		F 00R J04 644	119.00	1.360	1.365					
F 00R J04 154		F 00R J04 645	119.00	1.370	1.375					
Excess Lift CRIN2-3		F 00R J04 155	F 00R J04 646	119.00	1.380	-	F 00R J02 759	F 00R J04 735 +H4 MRP: ₹ 4,139.00		
	F 00R J04 225	F 00R J04 714	66.00	0.985						
	F 00R J04 226	F 00R J04 715	66.00	0.995						
	F 00R J04 227	F 00R J04 716	66.00	1.005						
	F 00R J04 228	F 00R J04 717	66.00	1.015						
	F 00R J04 229	F 00R J04 718	66.00	1.025						
	F 00R J04 230	F 00R J04 719	66.00	1.035						
	F 00R J04 231	F 00R J04 720	66.00	1.045						

Zonal Offices

Ahmedabad

Bosch Limited

31/32, Level 3, 'JMC House'
Opp. Parimal Garden, Ambawadi
Ellis Bridge, Ahmedabad – 380 006
Gujarat
Ph: 079 6614 2200

Bengaluru

Bosch Limited

'Prestige Libra', 1st Floor, Unit No: 101
Lalbagh Road, Bengaluru – 560 027
Karnataka
Ph: 080 2222 5101

Chennai

Bosch Limited

'Sabari Sunnyside'
2nd Floor, Middle Wing
8/17, Shafee Mohammed Road
Off Greams Road, Thousand Lights
Chennai – 600 006, Tamil Nadu
Ph: 044 6624 0300

Kolkata

Bosch Limited

Post Box No: 9044, 91-A, Park Street
Kolkata – 700 016, West Bengal
Ph: 033 4015 1400

Lucknow

Bosch Limited

CP-138, Viraj Khand
Near Grand JBR Hotel,
Gomtinagar, Lucknow – 226 010
Uttar Pradesh
Ph: 0522 710 8262

Mumbai

Bosch Limited

906-08, 9th Floor, 'Hubtown Solaris'
N. S. Phadke Marg, Off Telli Galli
Andheri (East), Mumbai – 400 069
Ph: 022 3956 9999

New Delhi

Bosch Limited

'Rishyamook'
85-A, Panchkuian Road
New Delhi – 110 001
Ph: 011 2344 0300

Ranchi

Bosch Limited

'Bhagirathi Complex'
Opp. Adivasi Hostel
Karam Toli Road
Ranchi – 834 008, Jharkhand
Ph: 0651 660 2108



BOSCH

Bosch Limited, Automotive Aftermarket

P. B. No: 3000, Hosur Road, Adugod
Bengaluru – 560 030
Ph: 080 6752 2820



/BoschAutoPartsIndia | Toll-free No: 1800 108 1081 | www.boschautoparts.in